


LRS

R013



BONDIOLI & PAVESI 

| | |
|---|---|
| Safety and working conditions PTO driveshafts | 3-6 |
| LRS R013 SFT |  |
| Safety labels and operator's manual Lubrication intervals - Troubleshooting | 2-5 |
| Cardan joint driveshafts with 4 tooth profile tubes - with Free Rotation tubes - with splined profiles Yokes for cardan joints - Single and double joints - Complete driveshafts | 6-15 |
| SFT 80°-50° EL CV joints - Yokes for SFT 80°-50° EL CV SFT driveshafts with 80° CV joints | 16-22 |
| Overrunning clutches RA, RL Torsionally resilient joints GE | 24-29 |
| Ratchet torque limiters SA, LN, LC, LT Shear bolt torque limiters LB - Automatic torque limiter LR | 30-55 |
| Friction torque limiters FV, FT Combination friction torque limiter and overrunning clutch FNV, FFNV, FNT | 56-95 |
| Shield kits Implement input connection shields | 96-102 |
| LRS R013 GLOBAL |  |
| Driveline safety Lubrication intervals - Troubleshooting | 2-5 |
| Cardan joint driveshafts with rounded triangular profile tubes - with splined profiles Yokes for cardan joints - Complete driveshafts | 6-13 |
| 80° EL CV joints - Yokes for Global 80° EL CV Global driveshafts with 80° CV joints | 14-18 |
| Overrunning clutches RA Torsionally resilient joints GE | 20-22 |
| Ratchet torque limiters SA, LN Shear bolt torque limiters LB - Automatic torque limiter LR | 23-35 |
| Friction torque limiters FV, FT Combination friction torque limiter and overrunning clutch FNV, FFNV, FNT | 36-71 |
| Shield kits Implement input connection shields SFT - Implement input connection shields CF | 72-78 |
| LRS R013 SERIE 100 | 100 |
| Driveline safety Lubrication intervals - Troubleshooting | 2-5 |
| Cardan joint driveshafts with rounded triangular profile tubes - with splined profiles Yokes for cardan joints - Accessories | 6-11 |
| 650 - 660 - 670 series CV joint driveshafts - 80° CV joints Yokes for 80°-50° EL CV - 100 Series driveshafts with 80° CV joints | 12-20 |
| Overrunning clutches RA, RL Torsionally resilient joints GE | 22-25 |
| Ratchet torque limiters SA, LN Shear bolt torque limiters LB - Automatic torque limiter LR | 26-40 |
| Friction torque limiters FV, FFV, FT Combination friction torque limiter and overrunning clutch FNV, FFNV, FNT | 41-87 |
| Shield kits Implement input connection shields CF | 88-93 |

Copyright © Bondioli & Pavesi, S.p.A.
July 2013 - Design by Bondioli & Pavesi - Printed in Italy
Product specifications printed in this publication may change without notice.

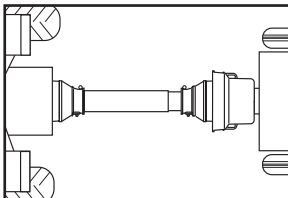
Safety and working conditions



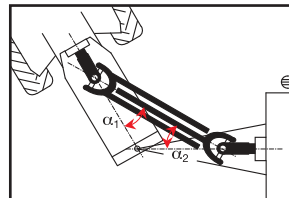
Use the implement only with the original driveline, which is compatible in length, power capacity, torque limiters, overrunning clutches, and shielding. The driveline and safety devices are designed specifically for the implement, and should be used exclusively for this purpose. Do not exceed the speed and power

limits given by the operator's manual. Drivelines, torque limiters, and overrunning clutches in this catalog are designed to be used at speeds that do not exceed 1000 min⁻¹. Do not overload the implement or suddenly engage the PTO clutch. Any torque limiter or clutch should be installed on the implement end of

the driveline. Use the driveline, torque limiters, and overrunning clutches only for their intended purpose.

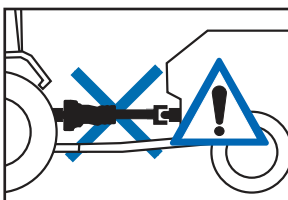


All rotating parts must be guarded. Contact with a rotating driveline can cause death or serious injury. The tractor master shield, the driveline guards, and the implement input connection shield form an interactive guarding system.

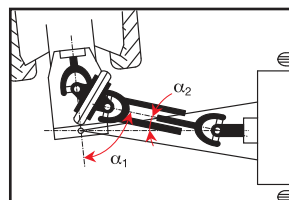


SINGLE CARDAN JOINTS

When operating, ensure that angles α_1 and α_2 are small and as equal as possible. The joint angles may vary widely during turns, but must never exceed 35° under power or 45° while rotating. Disengage the PTO when the joint angles become excessive or too unequal.

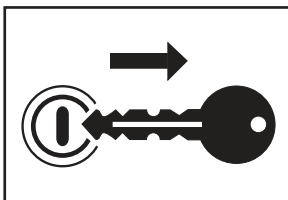


Ensure that all driveline, tractor, and implement shields are functional and in place before operation. Damaged or missing parts must be replaced with the original equipment spare parts, correctly installed, before using the driveline.

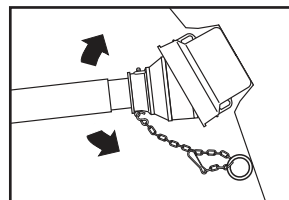


CONSTANT VELOCITY (CV) JOINTS

CV joint can allow large joint angles -up to 50° or 80° depending upon the type. These joint angles should only be allowed for brief periods, for example during turning. For drivelines with a CV joint on the tractor side and a single cardan joint on the implement side, the maximum recommended angles of the single joint are 16° at 540 min⁻¹ and 9° at 1000 min⁻¹ to prevent irregular motion.



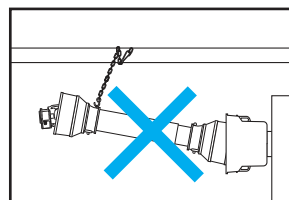
Disengage the PTO, turn off the tractor engine, remove the key, and check that all rotating parts have come to a standstill before approaching the implement or performing maintenance work. When used at night or in poor visibility, illuminate the driveline operating area



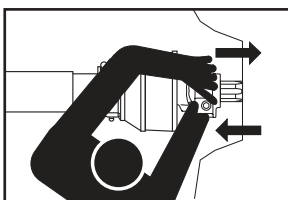
Attach the shield restraint chains, allowing sufficient slack for the driveline to move during turns and operation. Best results are achieved when the chains are attached nearly perpendicular to the driveline guard. Adjust the length to allow articulation of the driveline in working or transport positions, but avoid excessive slack that may wrap around the driveline.



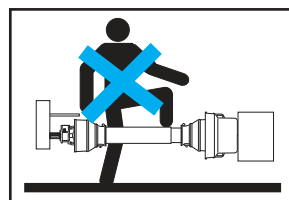
Do not approach, nor allow bystanders to come near the work zone or rotating parts. Do not wear loose clothing, jewelry, hair, or anything which could get caught in the machine. Contact with rotating parts could cause serious injury or death.



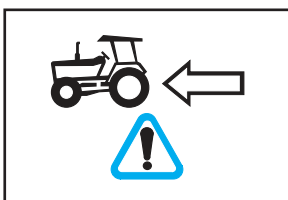
Never use the safety chains to support the driveline for storage. Always use the support on the implement. Keep the driveline horizontal during handling to prevent the halves from sliding apart, which could cause injury or damage the shielding.



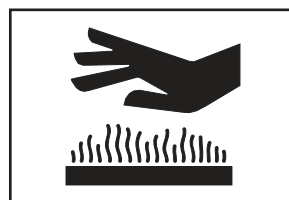
Ensure that the driveline is securely attached to the tractor and the implement before operating. Check that all bolts or nuts are properly torqued. DO NOT use PTO adapters.



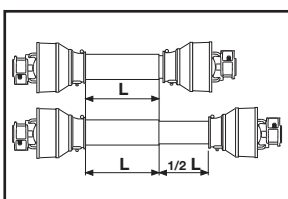
Do not stand, lean, or otherwise come in contact with the driveline. Do not step over or go under the driveline.



The tractor printed on the guard indicates the tractor end of the driveline. Any torque limiter or overrunning clutch must be installed on the implement end of the driveline.



Friction clutches may become hot during use. **Do not touch!** Keep the area around the friction clutch clear of any material which could catch fire and avoid prolonged slipping.

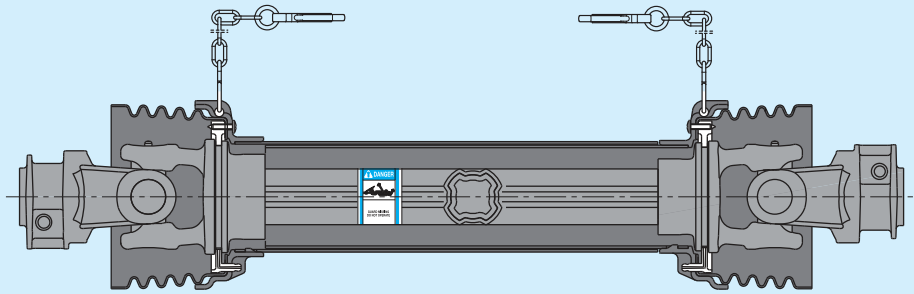


Keep the profile tubes overlapped as much as possible during transport and operation. Do not exceed values given in Bondioli & Pavesi catalogs for permissible length extension. Always hitch the tractor to STATIONARY MACHINERY (pumps, hoists, generators, dryers, etc.) so that the profile tubes are not overextended.

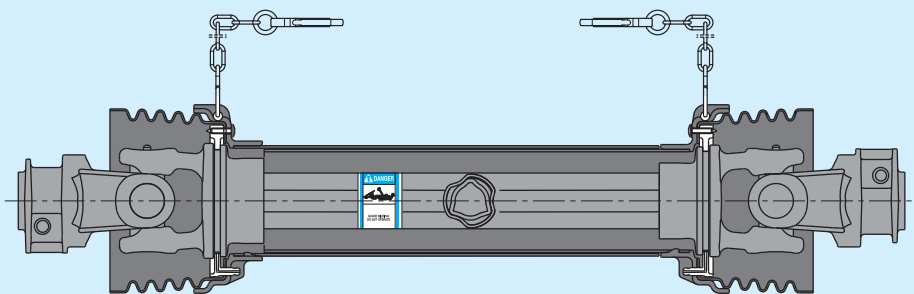


Always wear adequate safety equipment when performing any maintenance or repair work. Clean and grease the PTO of the tractor and implement input connection to facilitate installation of the driveline. Replace worn or damaged components with the original Bondioli & Pavesi spare parts. Do not alter or tamper with any driveline component. Contact an authorized Bondioli & Pavesi dealer concerning any operations not described in the instruction manual.

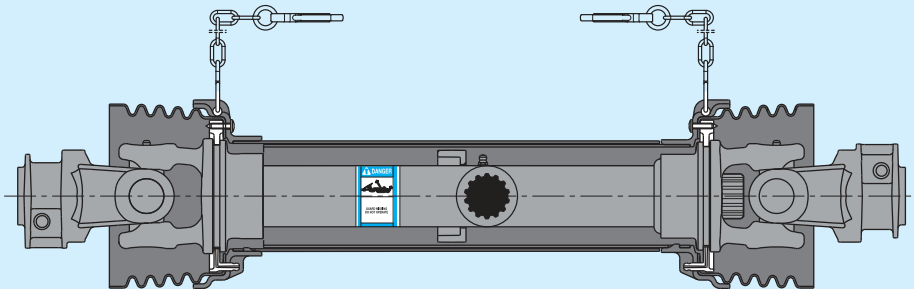
4-TOOTH PROFILE



FREE ROTATION PROFILE

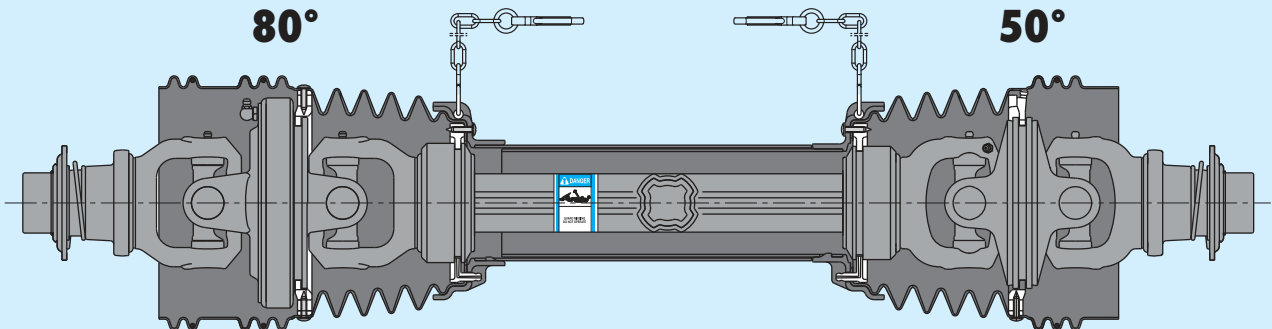


SPLINED PROFILE

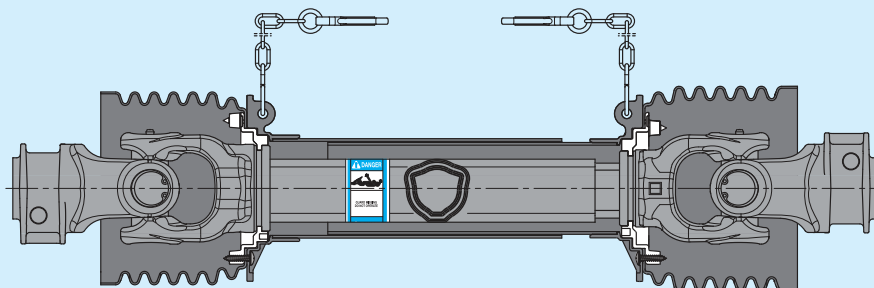


80°

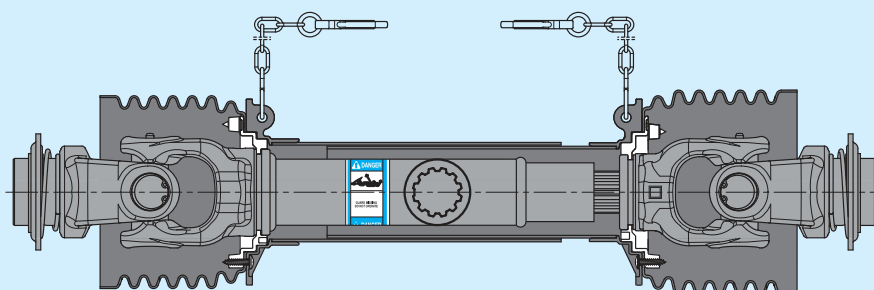
50°



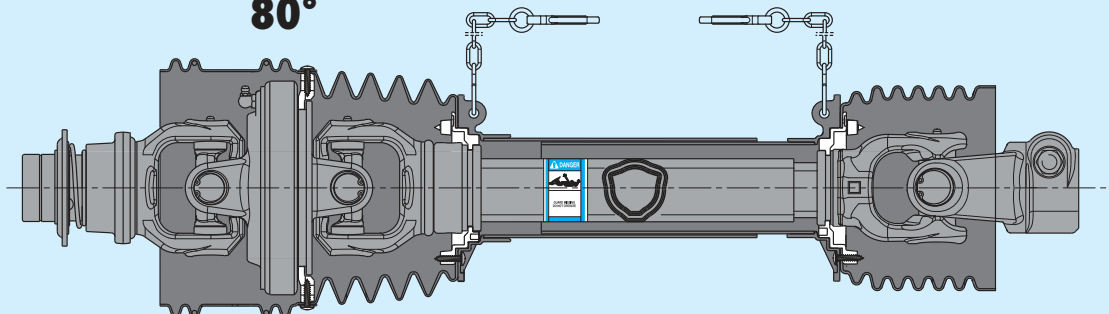
ROUNDED TRIANGULAR PROFILE

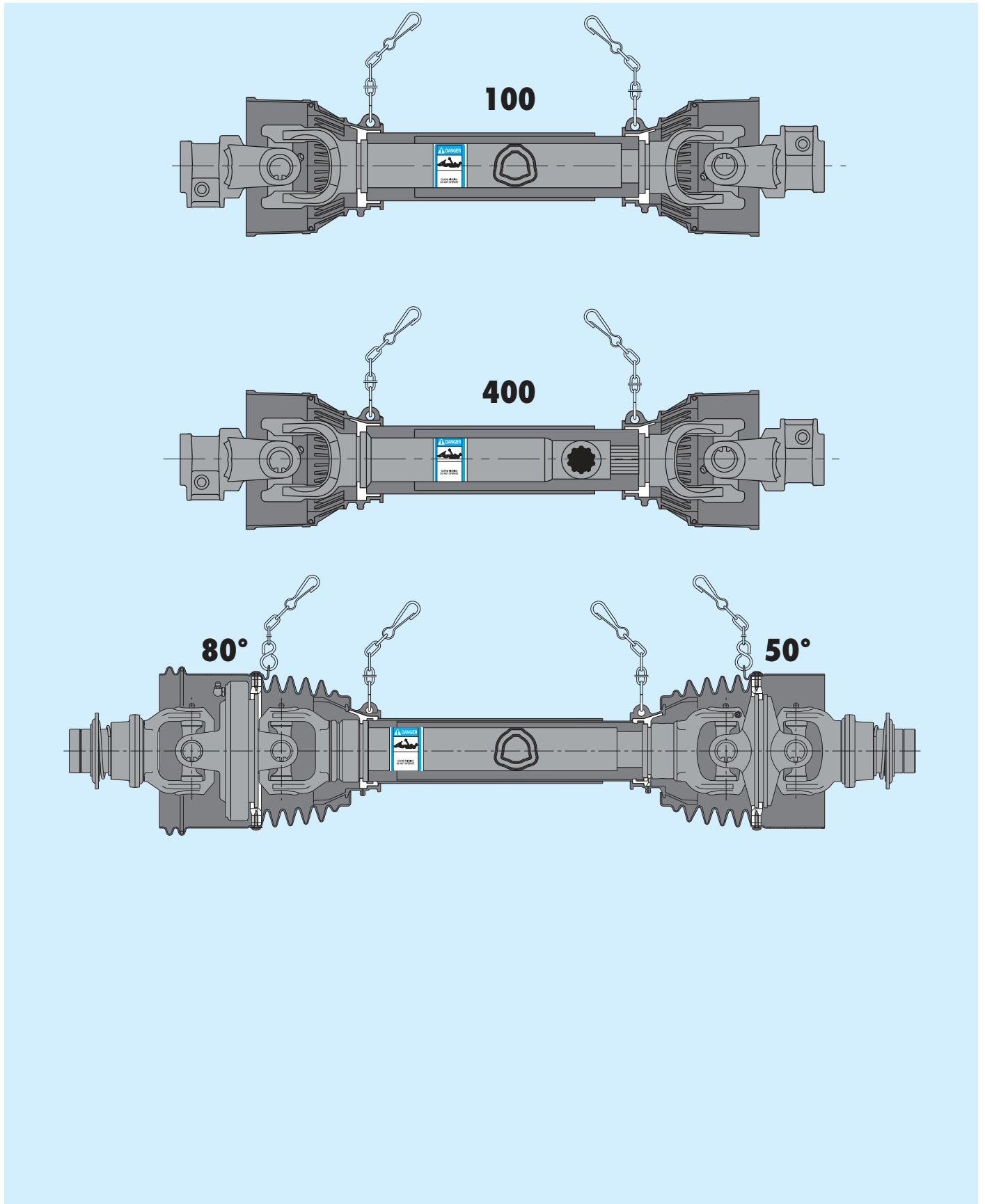


SPLINED PROFILE



80°



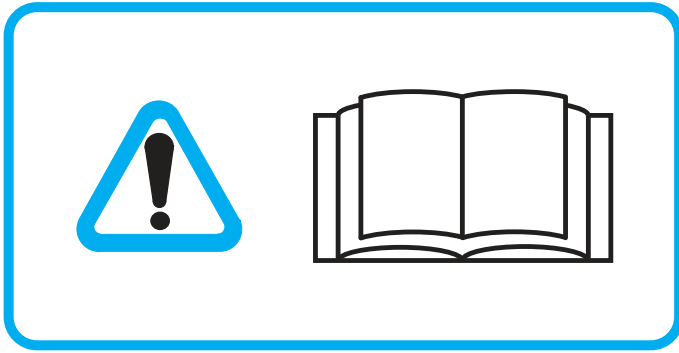


Sft



**BONDIOLI
& PAVESI**





The safety of the end user depends upon proper use and maintenance of the implement, tractor, and driveline, plus all related safety shielding. Information regarding correct driveline usage is included on the safety label and in the use and maintenance manual included with Bondioli & Pavesi drivelines. Safety labels and user's manuals in alternative languages are available to meet local requirements. If drivelines are to be used on ma-

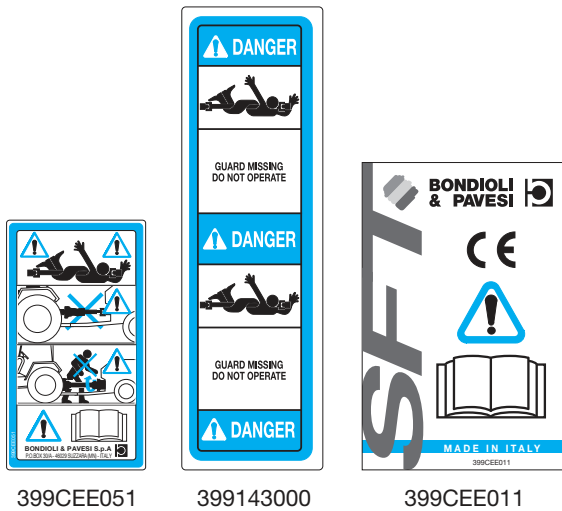
chines bound for export, contact Bondioli & Pavesi for labels and manuals. The manufacturer or purchaser must inform Bondioli & Pavesi when alternative labels or manuals are required. Read the driveline manual, and the operator's manual for the implement, before using the machine.

YOUR SAFETY DEPENDS UPON THIS INFORMATION.

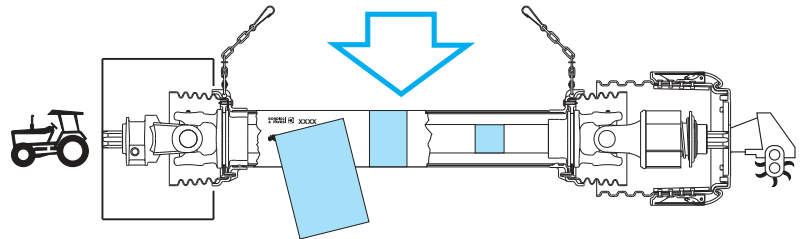
PRIMARY DRIVELINES FOR EEC-EFTA COUNTRIES

The primary driveline (the one that connects the tractor to the machine) sold in ECC and EFTA countries have the CE mark, safety label

code 399CEE051 and 399143000, user manual code 399CEE011 and safety chains.



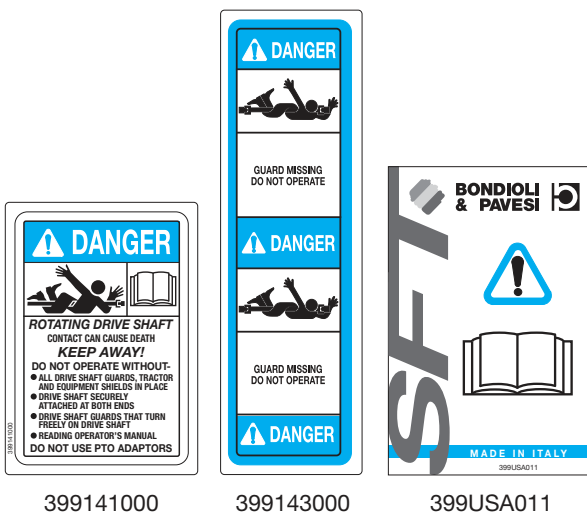
OUTER LABEL
399CEE051
INNER LABEL
399143000
INSTRUCTION BOOKLET
399CEE011



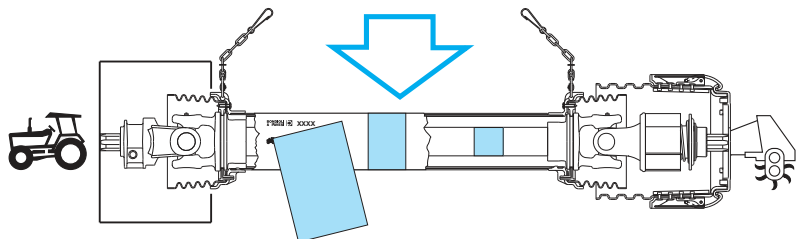
DRIVELINES FOR NORTH AMERICA (USA, Canada and Mexico)

Drivelines sold in North America (USA, Canada and Mexico) are equipped with safety labels code

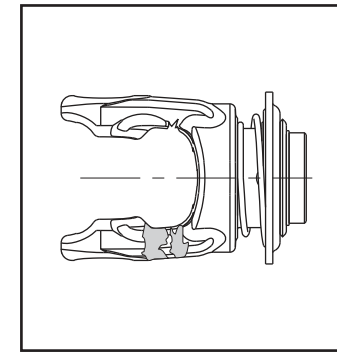
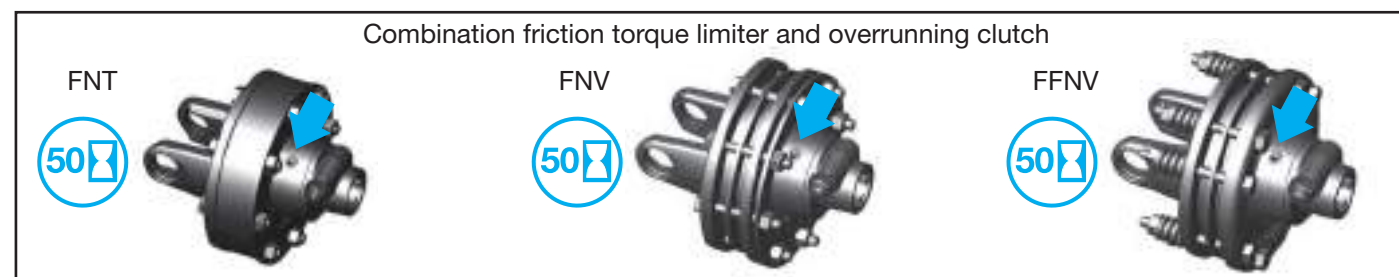
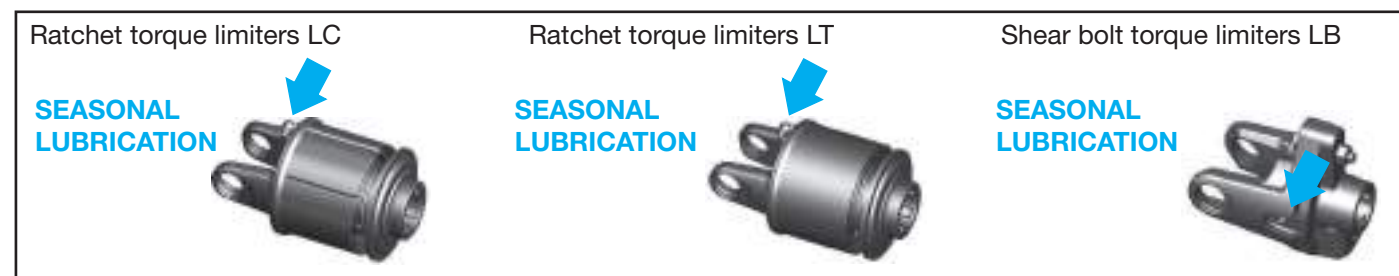
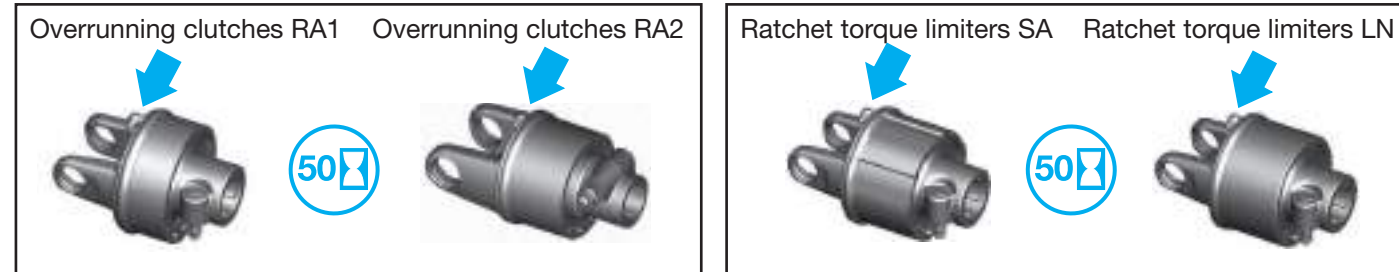
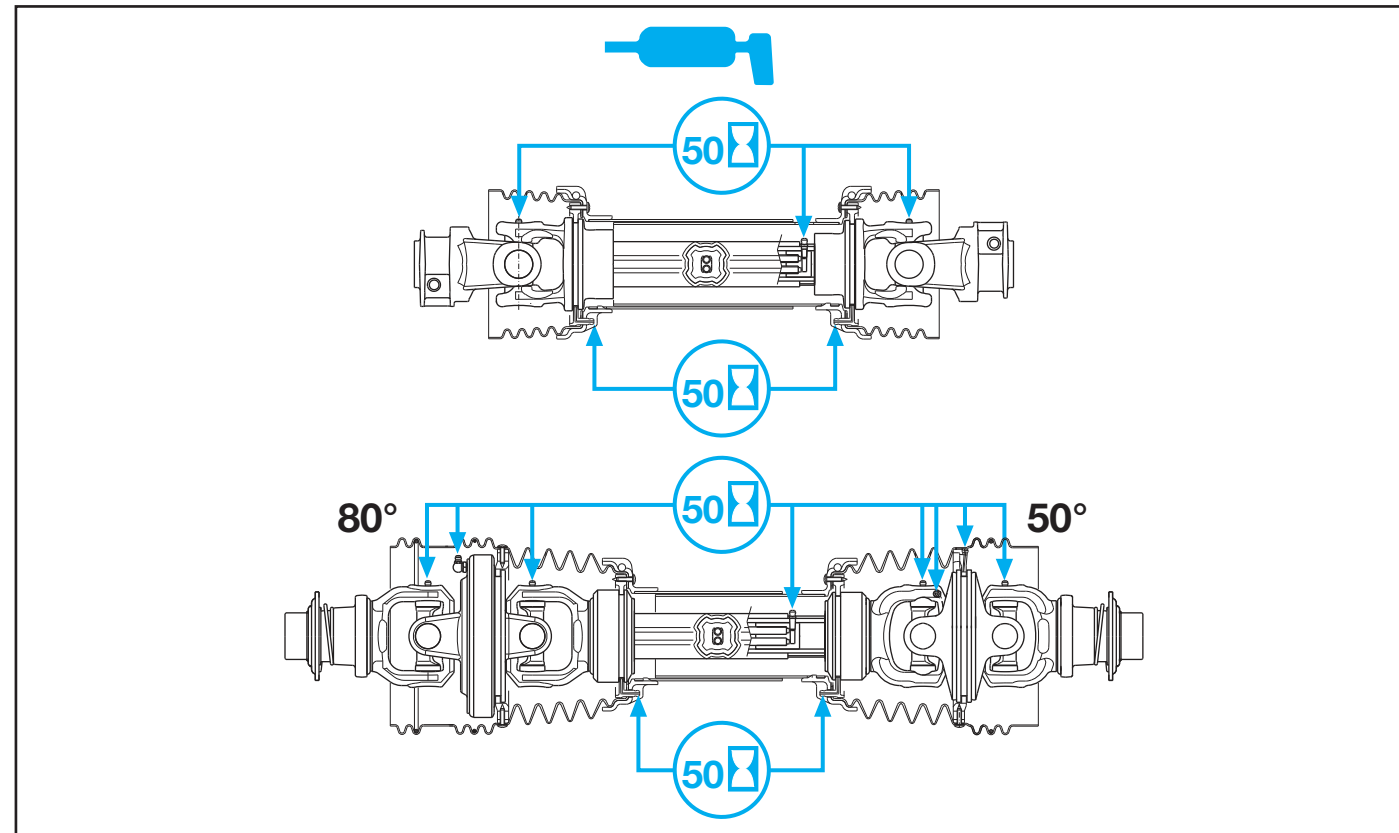
399141000 and 399143000 and have the user's manual code 399USA011.



OUTER LABEL
399141000
INNER LABEL
399143000
INSTRUCTION BOOKLET
399USA011



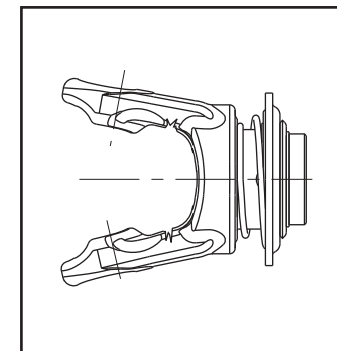
AFTER ANY MAINTENANCE OR REPAIR, ALWAYS REPLACE ALL GUARDS AND SHIELDS!



WEAR OF YOKE EARS

EXCESSIVE WORKING ANGLE

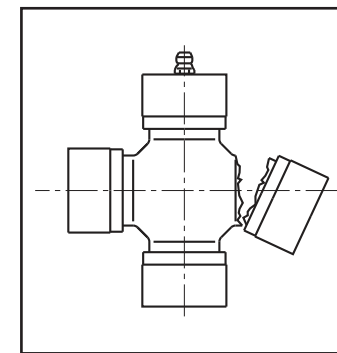
- Reduce working angle.
- Disengage PTO when joint angle exceeds 45°.



DEFORMATION OF YOKE EARS

EXCESSIVE TORQUE PEAK OR SHOCK LOAD

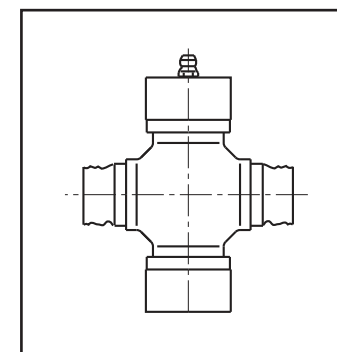
- Avoid overloading and engaging drive under load.
- Check function of torque limiter.



CROSS ARMS BROKEN

EXCESSIVE TORQUE PEAK OR SHOCK LOAD

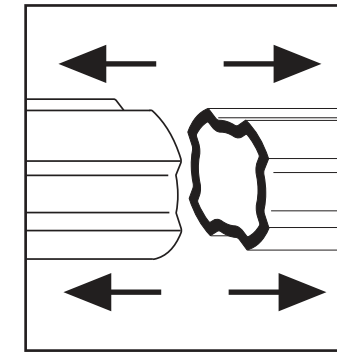
- Avoid overloading and engaging drive under load.
- Check function of torque limiter.



ACCELERATED WEAR OF CROSS ARMS

EXCESSIVE LOAD

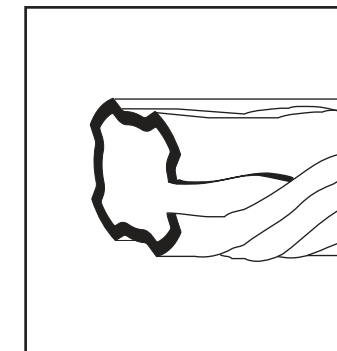
- Do not exceed the speed or power limits indicated in the instruction manual.
- Insufficient lubrication
- Follow instructions in chapter "Lubrication and maintenance".



SEPARATION OF TELESCOPING TUBES

EXCESSIVE EXTENSION OF DRIVELINE

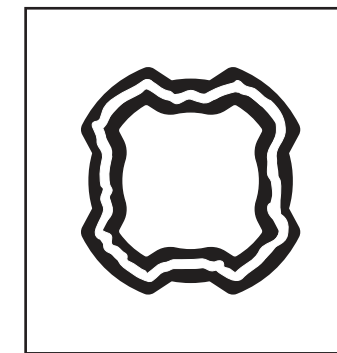
- Avoid excessive extension of driveline.
- For stationary machinery: position the tractor so that the telescoping tubes overlap as illustrated in chapter "Working conditions".
- Check extension of drawbar hitch according to the instruction manual.



DEFORMATION OF TELESCOPING TUBES

EXCESSIVE TORQUE PEAK OR SHOCK LOAD

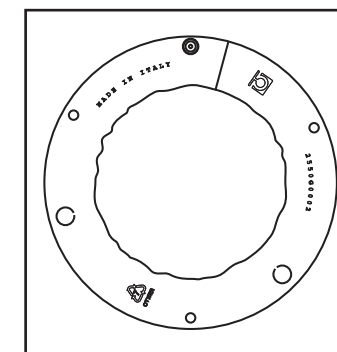
- Avoid overloading and engaging drive under load.
- Check functioning of torque limiter.
- Check that driveline does not come into contact with tractor or implement components during movement.



ACCELERATED WEAR OF TELESCOPING TUBES

INSUFFICIENT LUBRICATION

- Follow instructions in chapter "Lubrication Intervals."
- Insufficient tube overlap
- Follow instruction in chapter "Safety and working conditions."



ACCELERATED WEAR OF SHIELD BEARING

INSUFFICIENT LUBRICATION

- Follow instructions in chapter "Lubrication intervals."

| Size | 540 min ⁻¹ Power Rating | | 1000 min ⁻¹ Power Rating | | 5 SINGLE & DOUBLE JOINTS | 30 80° & 50° CV Joints | SINGLE & DOUBLE JOINTS |
|------|---------------------------------------|-----|--|-----|---------------------------------|--------------------------------|----------------------------|
| | kW | CV | kW | CV | | | |
| S1 | 13 | 18 | 20 | 27 | A=22,0 H=54,0 4120B0012R50 | --- | 62,9 |
| S2 | 21 | 28 | 31 | 42 | A=23,8 H=61,3 4120C0012R30 | A=22,0 H=76,0 4120C0051R25 | 72 |
| S4 | 28 | 38 | 42 | 57 | A=27,0 H=74,6 4120E0012R25 | A=22,0 H=86,0 4120E0051R40 | 85 |
| S5 | 37 | 50 | 55 | 75 | A=30,2 H=79,4 4120G0012R40 | --- | 91,2 |
| S6 | 40 | 55 | 61 | 83 | A=30,2 H=79,4 4120G0012R40 | A=27,0 H=100,0 4120G0051R24 | 91,2 |
| H7 | 51 | 70 | 78 | 106 | A=30,2 H=91,5 4120H0012R30 | A=27 H=100,0 4120G0051R24 | 103 |
| S8 | 66 | 90 | 100 | 136 | A=34,9 H=93,5 4120L0012R24 | A=30,2 H=106,0 4120L0051R20 | 107 |
| H8 | 66 | 90 | 100 | 136 | A=34,9 H=93,5 4120L0012R24 | A=30,2 H=106,0 4120L0051R20 | 107 |
| S9 | 81 | 110 | 122 | 166 | A=34,9 H=106,0 4120M0012R20 | A=30,2 H=122,0 4120M0052R10 | 119,6 |
| SH | 97 | 132 | 147 | 200 | A=42,0 H=107,5 4120N0012R10 | A=34,9 H=110,0 4120N0051R10 | 122,5 |
| S0 | 124 | 169 | 187 | 254 | A=42,0 H=130,0 4120S0012R10 | --- | 145 |

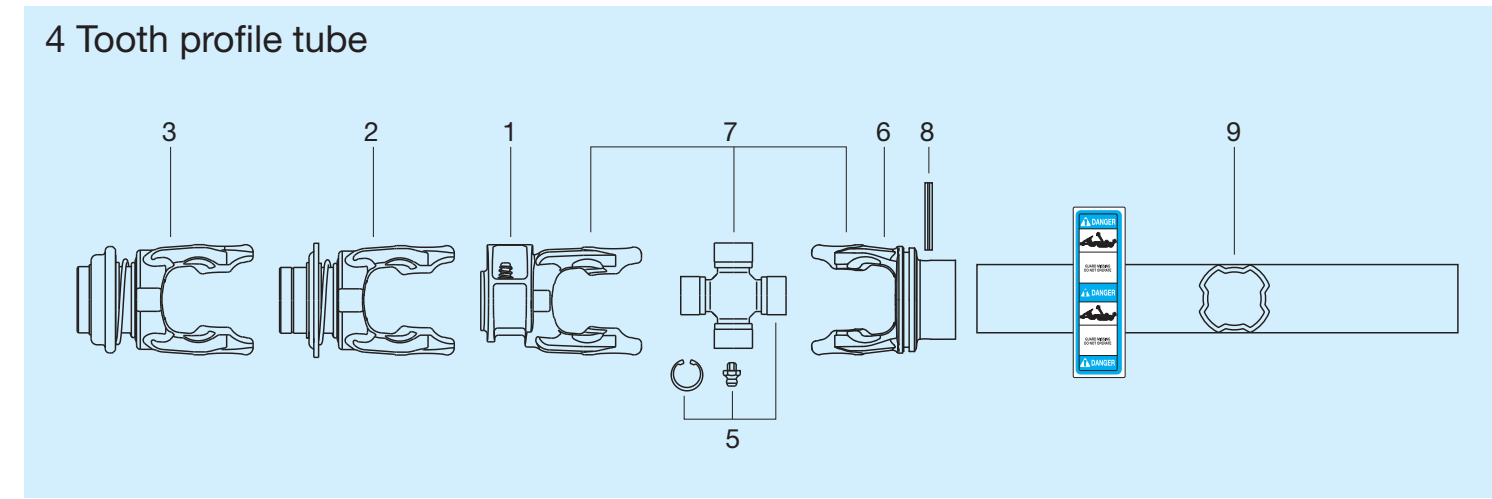
PACKAGE QUANTITIES: THE NUMBER FOLLOWING THE LETTER "R" IN THE CODE INDICATES THE NUMBER OF PIECES IN EACH PACK. FOR EXAMPLE, 341036000R10 INDICATES THAT EACH PACKAGE CONTAINS 10 ROLL PINS.

WARNING!

MACHINERY DIRECTIVE 2006/42/CEE

With reference to the above mentioned directives dated January 1, 1995, in the CEE and EFTA member states, primary drivelines placed on the market and put into service must meet the essential safety requirements and will bear the brand and declaration of conformity.

| 1 | 2 | 3 | 4 | 6 | 7 | 8 |
|-----------|-----------|-----------|-----------|--------------------|----------------------|-------------------------|
| | | | | | | |
| 1 3/8" Z6 | 1 3/8" Z6 | 1 3/8" Z6 | 1 3/8" Z6 | OUTER TUBE YOKE | JOINT FOR OUTER TUBE | ROLL PIN FOR OUTER TUBE |
| 5070B0355 | 5720B0355 | --- | --- | Ø 59 204S16853 | CS1GC049007 | 341036000R10 |
| 5070C0355 | 5720C0355 | --- | --- | Ø 73 204S26854 | CS2GC049007 | 341048000R10 |
| 5070E0355 | 5720E0355 | 5720E0361 | 5090E0360 | Ø 73 204S46854 | CS4GC049007 | 341038000R10 |
| 5070G0355 | 5720G0355 | 5720G0361 | 5090G0360 | Ø 73 204S56858 | CS5GC049007 | 341043000R10 |
| 5070G0355 | 5720G0355 | 5720G0361 | 5090G0360 | Ø 89 204S66853 | CS6GC049007 | 341053000R10 |
| 5070H0355 | 5720H0355 | 5720H0361 | 5090H0360 | Ø 89 2040H6862 | CH7GC049007 | 341053000R10 |
| 5070L0355 | 5720L0355 | 5720L0361 | 5090L0360 | Ø 89 204S86853 | CS8GC049007 | 341042000R10 |
| 5070L0355 | 5720L0355 | 5720L0361 | 5090L0360 | Ø 89 2040L6869 | CH8GC049007 | 341046000R10 |
| 5070M0355 | 5720M0351 | 5720M0352 | 5090M0360 | Ø 99 204S96855 | CS9GC049007 | 341046000R10 |
| --- | 5720N0351 | 5720N0361 | --- | Ø 103 2040N6853 | CSHGC049R07 | 341093000R10 |
| --- | 5720S0351 | 5720S0352 | --- | Ø 103 2040S6855 | CS0GC049R07 | 341103000R10 |



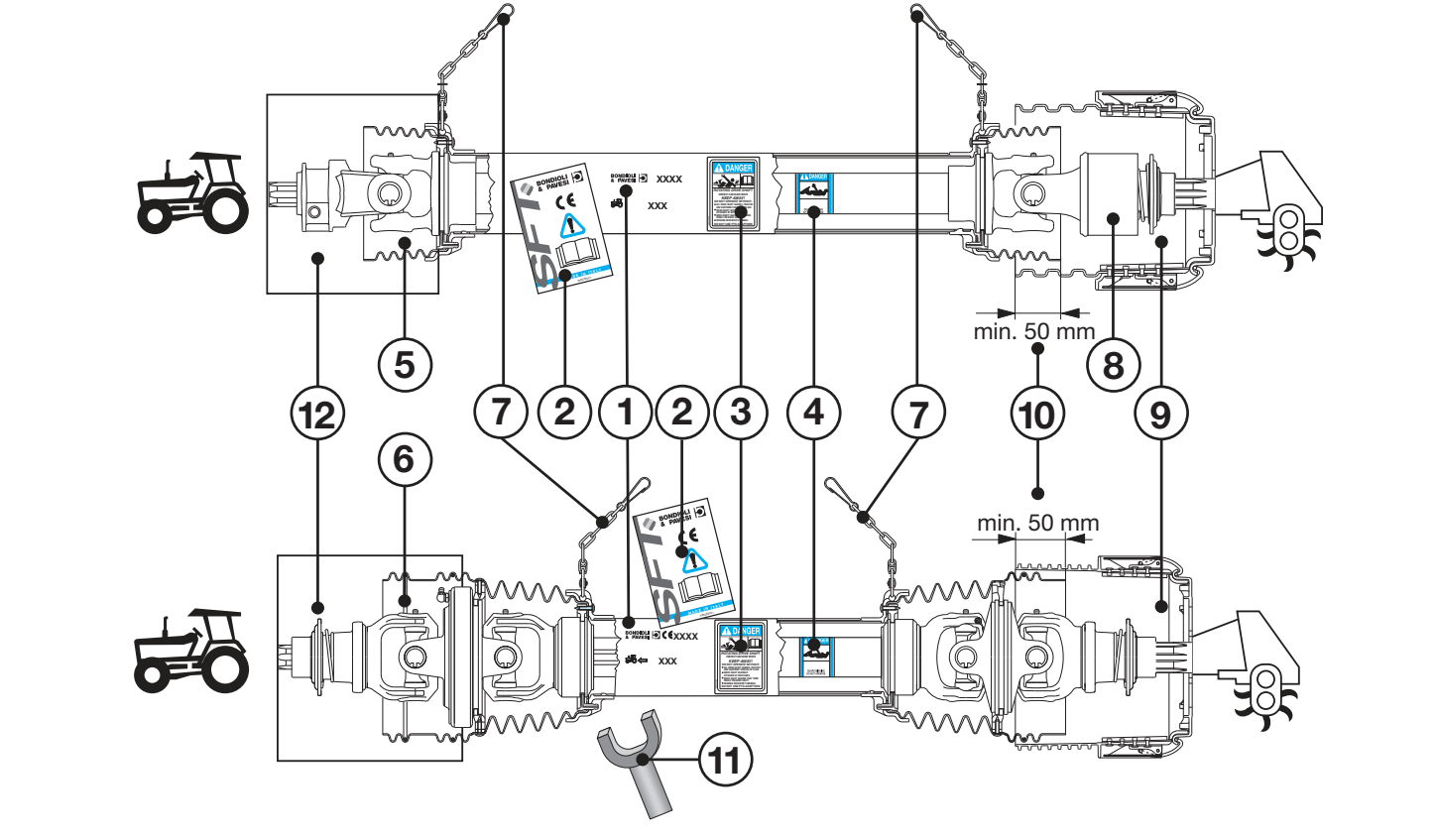
Guards removed for illustration purposes only. Make sure all driveline, tractor, and equipment shields are in place before operation.

NON-PRIMARY DRIVELINES FOR EEC/EFTA COUNTRIES AND DRIVELINES FOR NON-EEC/EFTA COUNTRIES

Drivelines internal to the machine or sold to non-EEC/EFTA countries do not require the CE mark. They are equipped with safety labels

code 399CEE051 and 399143000, and have the users manual code 399USA011.

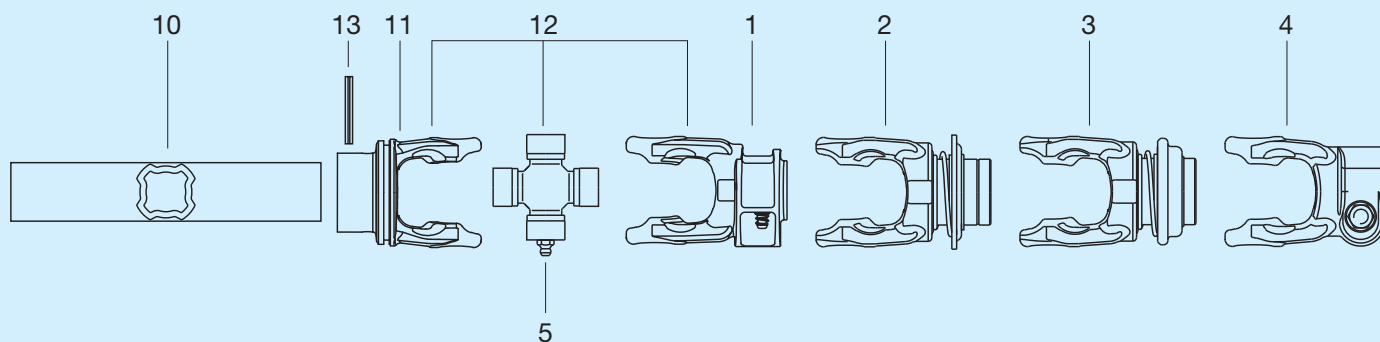
CE - SAFETY FEATURES



- 1 Driveline identification, CE mark
- 2 Operating instructions, CE-Declaration of Conformity
- 3 Safety label on shield tube
- 4 Safety label on telescoping members
- 5 Cone length at least to the end of the inboard joint
- 6 Cone length at least to the end of the outer joint
- 7 Safety chains
- 8 Torque limiters or overrunning clutch on the implement side only
- 9 The implement must provide PIC shielding
- 10 Minimum overlap in straight position
- 11 Support for the PTO drive shaft when the machine is uncoupled
- 12 Tractor master shield

| 9 OUTER DRIVE TUBE | 10 INNER DRIVE TUBE | 11 INNER TUBE YOKE | 12 JOINT FOR INNER TUBE | 13 ROLL PIN FOR INNER TUBE |
|--|--|--------------------------------|-----------------------------------|--------------------------------------|
| $D_1= 35,20$ $T_1= 2,00$ 122323000R06 | $D_2= 30,80$ $T_2= 3,00$ 122163000R06 | $\varnothing 56$ 204S16854 | CS1GC050007 | 341037000R10 |
| $D_1= 45,60$ $T_1= 2,75$ 122053000R06 | $D_2= 39,60$ $T_2= 3,00$ 122193000R06 | $\varnothing 70$ 204S26853 | | |
| $D_1= 50,20$ $T_1= 2,75$ 122423000R06 | $D_2= 44,20$ $T_2= 3,50$ 122413000R06 | $\varnothing 70$ 204S46853 | CS4GC050007 | 341048000R10 |
| $D_1= 50,20$ $T_1= 2,75$ 122423000R06 | $D_2= 44,20$ $T_2= 4,20$ 122523000R06 | $\varnothing 70$ 204S56859 | | |
| $D_1= 53,90$ $T_1= 3,25$ 122453000R06 | $D_2= 46,90$ $T_2= 4,50$ 122443000R06 | $\varnothing 86$ 204S66854 | CS6GC050007 | 341043000R10 |
| $D_1= 58,20$ $T_1= 3,25$ 122093000R06 | $D_2= 51,20$ $T_2= 5,00$ 122513000R06 | $\varnothing 86$ 2040H6863 | | |
| $D_1= 58,20$ $T_1= 3,25$ 122093000R06 | $D_2= 51,20$ $T_2= 5,00$ 122513000R06 | $\varnothing 86$ 204S86854 | CH7GC050007 | 341043000R10 |
| $D_1= 66,00$ $T_1= 3,50$ 122113000R06 | $D_2= 58,50$ $T_2= 4,50$ 122383000R06 | $\varnothing 86$ 2040L6866 | | |
| $D_1= 66,00$ $T_1= 3,50$ 122113000R06 | $D_2= 58,50$ $T_2= 4,50$ 122383000R06 | $\varnothing 96$ 204S96856 | CS8GC050007 | 341053000R10 |
| $D_1= 70,20$ $T_1= 4,00$ 122133000R06 | $D_2= 61,70$ $T_2= 5,75$ 122553000R06 | $\varnothing 100$ 2040N6854 | | |
| $D_1= 70,20$ $T_1= 4,00$ 122133000R06 | $D_2= 61,70$ $T_2= 5,75$ 122553000R06 | $\varnothing 100$ 2040S6856 | CSHGC050R07 | 341046000R10 |
| $D_1= 70,20$ $T_1= 4,00$ 122133000R06 | $D_2= 61,70$ $T_2= 5,75$ 122553000R06 | $\varnothing 100$ 2040S6856 | | |
| | | | CS0GC050R07 | 341046000R10 |

The codes for the tubes reference the 3 meter lengths packaged in multiples of 6 pieces.

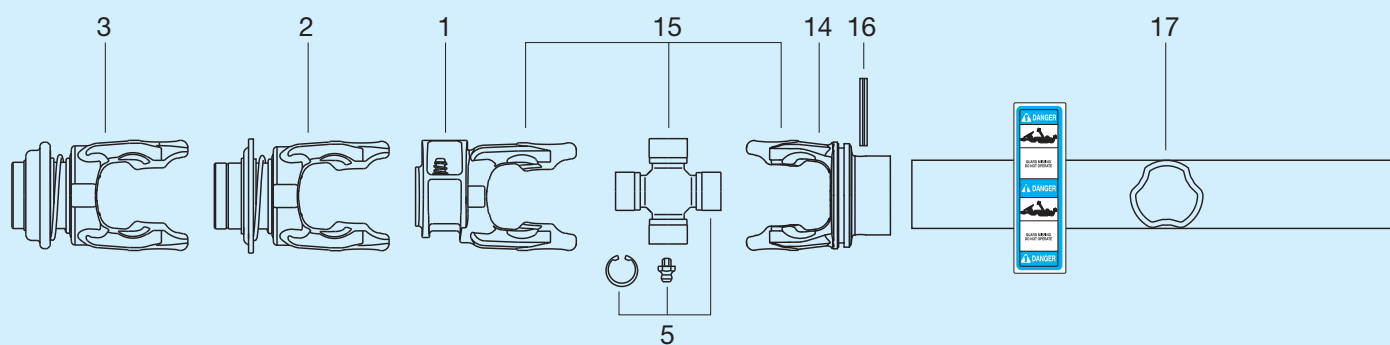


Cardan joint driveshafts with Free Rotation tubes



| 1 | 2 | 3 | 4 | 14 | 15 | 16 |
|-----------|-----------|-----------|-----------|--------------------|-------------------------|----------------------------|
| | | | | | | |
| 1 3/8" Z6 | 1 3/8" Z6 | 1 3/8" Z6 | 1 3/8" Z6 | INNER TUBE YOKE | JOINT FOR INNER TUBE | ROLL PIN FOR INNER TUBE |
| 5070B0355 | 5720B0355 | --- | --- | --- | --- | --- |
| 5070C0355 | 5720C0355 | --- | --- | ∅ 73 204S26855 | CS2GC083007 | 341048000R10 |
| 5070E0355 | 5720E0355 | 5720E0361 | 5090E0360 | ∅ 73 204S46856 | CS4GC083007 | 341038000R10 |
| 5070G0355 | 5720G0355 | 5720G0361 | 5090G0360 | --- | --- | --- |
| 5070G0355 | 5720G0355 | 5720G0361 | 5090G0360 | ∅ 89 204S66856 | CS6GC083007 | 341042000R10 |
| 5070H0355 | 5720H0355 | 5720H0361 | 5090H0360 | --- | --- | --- |
| 5070L0355 | 5720L0355 | 5720L0361 | 5090L0360 | --- | --- | --- |
| 5070L0355 | 5720L0355 | 5720L0361 | 5090L0360 | --- | --- | --- |
| 5070M0355 | 5720M0351 | 5720M0361 | 5090M0360 | --- | --- | --- |
| --- | 5720N0351 | 5720N0352 | --- | --- | --- | --- |
| --- | 5720S0351 | 5720S0352 | --- | --- | --- | --- |

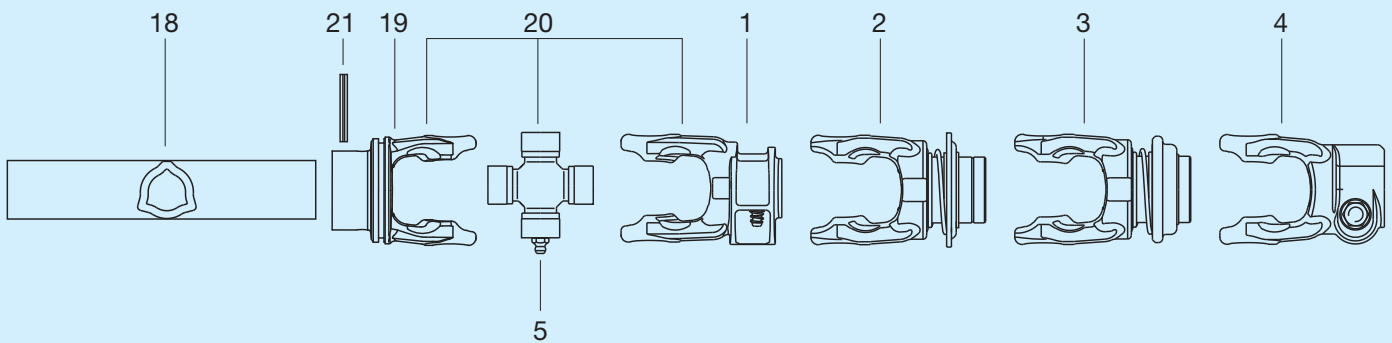
Free Rotation profile



Guards removed for illustration purposes only. Make sure all driveline, tractor, and equipment shields are in place before operation.

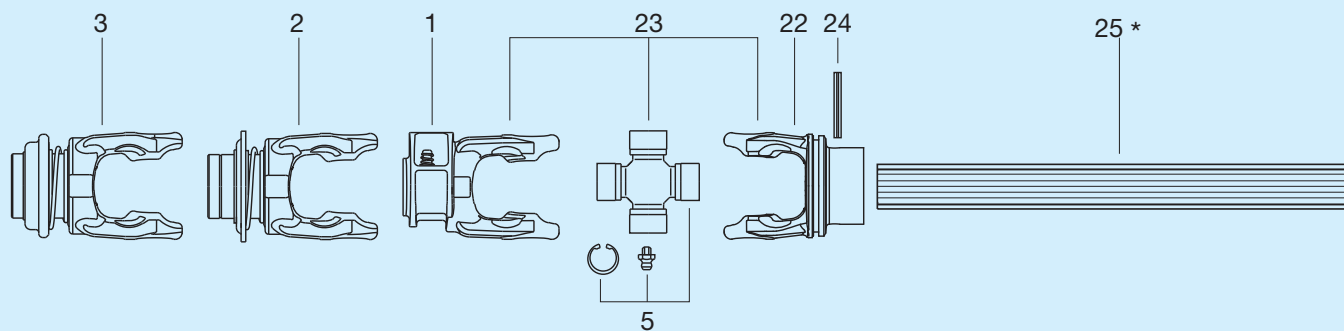
| 17 OUTER DRIVE TUBE | 18 INNER DRIVE TUBE | 19 INNER TUBE YOKE | 20 JOINT FOR INNER TUBE | 21 ROLL PIN FOR INNER TUBE |
|--|--|-------------------------------|----------------------------|-------------------------------|
| --- | --- | --- | --- | --- |
| $D_1 = 40,40$ $T_1 = 3,10$ 123023000R06 | $D_2 = 29,00$ $T_2 = 4,00$ 125043000R06 | $\varnothing 70$ 2040C6856 | CS2GC089007 | 341048000R10 |
| $D_1 = 48,00$ $T_1 = 3,35$ 123043000R06 | $D_2 = 36,00$ $T_2 = 4,00$ 125073000R06 | $\varnothing 70$ 204S46855 | | |
| --- | --- | --- | --- | --- |
| $D_1 = 58,50$ $T_1 = 3,60$ 123063000R06 | $D_2 = 45,00$ $T_2 = 4,20$ 125093000R06 | $\varnothing 86$ 204S66855 | CS6GC089007 | 341043000R10 |
| --- | --- | --- | | |
| --- | --- | --- | --- | --- |
| --- | --- | --- | --- | --- |
| --- | --- | --- | --- | --- |
| --- | --- | --- | --- | --- |
| --- | --- | --- | --- | --- |
| --- | --- | --- | --- | --- |

The codes for the tubes reference the 3 meter lengths packaged in multiples of 6 pieces.



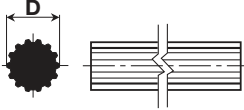
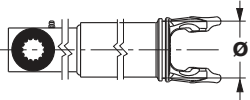


| 1 | 2 | 3 | 4 | 22 |
|-----------|-----------|-----------|-----------|----------------------------|
| | | | | |
| 1 3/8" Z6 | 1 3/8" Z6 | 1 3/8" Z6 | 1 3/8" Z6 | INNER YOKE FOR SPLINED BAR |
| 5070B0355 | 5720B0355 | --- | --- | --- |
| 5070C0355 | 5720C0355 | --- | --- | --- |
| 5070E0355 | 5720E0355 | 5720E0361 | 5090E0360 | --- |
| 5070G0355 | 5720G0355 | 5720G0361 | 5090G0360 | --- |
| 5070G0355 | 5720G0355 | 5720G0361 | 5090G0360 | Ø 89 2040G3452 |
| 5070H0355 | 5720H0355 | 5720H0361 | 5090H0360 | Ø 89 2040H3453 |
| 5070L0355 | 5720L0355 | 5720L0361 | 5090L0360 | Ø 89 2040L3453 |
| 5070L0355 | 5720L0355 | 5720L0361 | 5090L0360 | --- |
| 5070M0355 | 5720M0351 | 5720M0361 | 5090M0360 | Ø 99 2040M8152 |
| --- | 5720N0351 | 5720N0352 | --- | Ø 103 2040N8152 |
| --- | 5720S0351 | 5720S0352 | --- | Ø 103 2040S8151 |

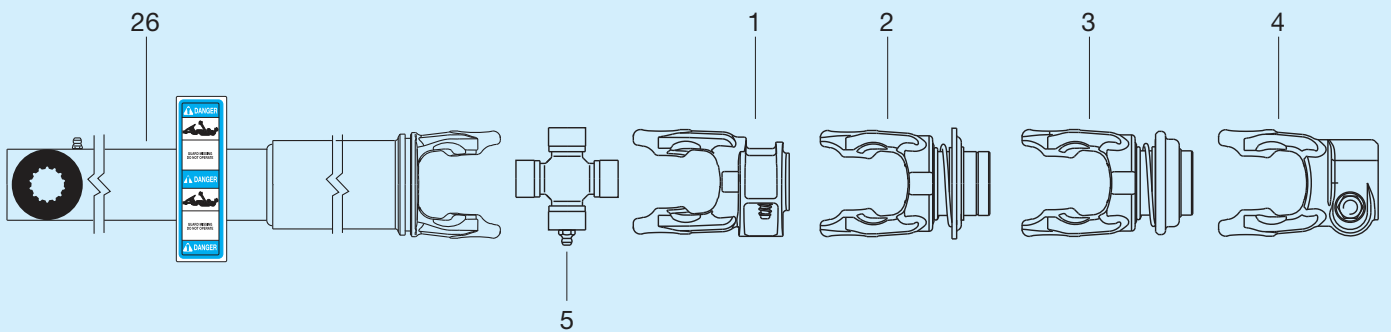
Splined profile



Guards removed for illustration purposes only. Make sure all driveline, tractor, and equipment shields are in place before operation.

| <p style="text-align: center;">23</p>  <p style="text-align: center;">JOINT FOR SPLINED BAR</p> | <p style="text-align: center;">24</p>  <p style="text-align: center;">ROLL PIN FOR SPLINED BAR</p> | <p style="text-align: center;">25*</p>  <p style="text-align: center;">SPLINED BAR</p> | <p style="text-align: center;">26*</p>  <p style="text-align: center;">YOKE & SPLINED SLEEVE ASSEMBLY</p> |
|---|--|---|---|
| --- | --- | --- | --- |
| --- | --- | --- | --- |
| --- | --- | --- | --- |
| --- | --- | --- | --- |
| CS6GC059007 | 345002000R10 | D= 40 z= 14 24927.... | 52AS6.... |
| CH7GC059007 | 345029000R10 | D= 40 z= 14 24927.... | 52AH7.... |
| CS8GC059007 | 345002000R10 | D= 40 z= 14 24927.... | 52AS8.... |
| --- | --- | --- | --- |
| CS9GC059007 | 345034000R10 | D= 45 z= 16 24928.... | 52AS9.... |
| CSHGC059007 | 345034000R10 | D= 45 z= 16 24928.... | 52ASH.... |
| CS0GC059007 | 345034000R10 | D= 45 z= 16 24928.... | 52AS0.... |

* Complete the code with the length expressed in millimeters.



| 1 | | 2 | | | | 3 | | |
|------------|-----------|------------|-----------|-----------|------------|------------|-----------|------------|
| | | | | | | | | |
| 1 3/8" Z21 | D8x32x38 | 1 3/8" Z21 | D8x32x38 | 1 3/4" Z6 | 1 3/4" Z20 | 1 3/8" Z21 | 1 3/4" Z6 | 1 3/4" Z20 |
| 5070B3755 | 5070B2151 | 5720B3776 | --- | --- | --- | --- | --- | --- |
| 5070C3755 | 5070C2151 | 5720C3776 | --- | --- | --- | --- | --- | --- |
| 5070E3755 | 5070E2151 | 5720E3755 | 5070E2151 | --- | --- | 5720E3761 | --- | --- |
| 5070G3755 | 5070G2151 | 5720G3755 | 5070G2151 | 5720G0455 | 5720G3855 | 5720G3761 | 5720G0461 | 5720G3861 |
| 5070G3755 | 5070G2151 | 5720G3755 | 5070G2151 | 5720G0455 | 5720G3855 | 5720G3761 | 5720G0461 | 5720G3861 |
| 5070H3755 | 5070H2151 | 5720H3755 | 5070H2151 | 5720H0455 | 5720H3855 | 5720H3761 | 5720H0461 | 5720H3861 |
| 5070L3755 | 5070L2151 | 5720L3755 | 5070L2151 | 5720L0455 | 5720L3855 | 5720L3761 | 5720L0461 | 5720L3861 |
| 5070L3755 | 5070L2151 | 5720L3755 | 5070L2151 | 5720L0455 | 5720L3855 | 5720L3761 | 5720L0461 | 5720L3861 |
| 5070M3755 | 5070M2151 | 5720M3751 | 5070M2151 | 5720M0451 | 5720M3851 | 5720M3761 | 5720M0461 | 5720M3861 |
| --- | --- | 5720N3751 | --- | 5720N0451 | 5720N3851 | 5720N3752 | 5720N0452 | 5720N3852 |
| --- | --- | 5720S3751 | --- | 5720S0451 | 5720S3851 | 5720S3752 | 5720S0452 | 5720S3852 |

Taper pin yokes should only be mounted on the implement end of primary driveshafts.

Quick disconnect (QD) pins

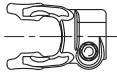
| | S1 | S2 | S4 | S5-S6 | H7 | S8-H8 | S9 |
|------------|--------------|--------------|--------------|--------------|--------------|--------------|--------------|
| 1 3/8" Z6 | 403000021R10 | 403000021R10 | 403000001R10 | 403000001R10 | 403000001R10 | 403000032R10 | 403000032R10 |
| 1 3/8" Z21 | 403000021R10 | 403000021R10 | 403000001R10 | 403000001R10 | 403000001R10 | 403000032R10 | 403000032R10 |
| 1 3/4" Z6 | --- | --- | --- | --- | --- | --- | --- |
| 1 3/4" Z20 | --- | --- | --- | --- | --- | --- | --- |

Tapered pin kits

Use pin that fits completely into hub. Discard other pins and nut.
Use tapered nut ONLY with pin (C) and yoke with counter-sunk hole.

| | S1 | S2 | S4 | S5-S6 | H7 | S8-H8 | S9 | SH | S0 |
|------------|-----|-----|------------|------------|------------|------------|------------|------------|------------|
| 1 3/8" Z6 | --- | --- | 408000075R | 408000075R | 408000075R | 408000075R | 408000075R | --- | --- |
| 1 3/8" Z21 | --- | --- | 408000075R | 408000075R | 408000075R | 408000075R | 408000075R | --- | --- |
| 1 3/4" Z6 | --- | --- | --- | 408000076R | 408000076R | 408000076R | 408000076R | 408000076R | 408000076R |
| 1 3/4" Z20 | --- | --- | --- | 408000076R | 408000076R | 408000076R | 408000076R | 408000076R | 408000076R |

4



Single and double joints listed below have a 1-3/8" Z6 shrouded push pin (QD) yoke and a 1-3/8" Z6 splined yoke. Other combinations are available - please inquire.

| 1 3/8" Z21 | 1 3/4" Z6 | 1 3/4" Z20 |
|------------|-----------|------------|
| --- | --- | --- |
| --- | --- | --- |
| 5090E3760 | --- | --- |
| 5090G3760 | 5090G0460 | 5090G3860 |
| 5090G3760 | 5090G0460 | 5090G3860 |
| 5090H3760 | 5090H0460 | 5090H3860 |
| 5090L3760 | 5090L0460 | 5090L3860 |
| 5090L3760 | 5090L0460 | 5090L3860 |
| 5090M3760 | 5090M0460 | 5090M3860 |
| --- | 5090N0460 | 5090N3860 |
| --- | 5090S0460 | 5090S3860 |

| CS1GC027007 | I 68 - R 69 | I 98 - R 90 |
|-------------|---------------|---------------|
| | CS1DG027007 | CS1GF027007 |
| CS2GC027007 | I 78 - R 79 | I 108 - R 90 |
| | CS2DG027007 | CS2GF027007 |
| CS4GC027007 | I 90 - R 94 | I 128 - R 100 |
| | CS4DG027007 | CS4GF027007 |
| --- | --- | --- |
| CS6GC027007 | I 106 - R 106 | I 136 - R 110 |
| | CS6DG027007 | CS6GF027007 |
| CH7GC027007 | I 108 - R 115 | I 154 - R 130 |
| | CH7DG027007 | CH7GF027007 |
| CS8GC027007 | I 118 - R 116 | I 158 - R 148 |
| | CS8DG027007 | CS8GF027007 |
| --- | --- | --- |
| --- | --- | --- |
| --- | --- | --- |
| --- | --- | --- |

Ball collar repair kits

| | S1 | S2 | S4 | S5-S6 | H7 | S8-H8 | S9 | SH | S0 |
|-------------------|------------|------------|------------|------------|------------|------------|------------|------------|------------|
| 1 3/8" Z6 | 435000320R | 435000320R | 435000321R | 435000321R | 435000321R | 435000322R | 435000332R | 435000328R | 435000328R |
| 1 3/8" Z21 | 435000300R | 435000300R | 435000321R | 435000321R | 435000321R | 435000322R | 435000332R | 435000328R | 435000328R |
| 1 3/4" Z6 | --- | --- | --- | 435000418R | 435000418R | 435000419R | 435000425R | 435000423R | 435000423R |
| 1 3/4" Z20 | --- | --- | --- | 435000418R | 435000418R | 435000419R | 435000425R | 435000423R | 435000423R |

Automatic ball collar repair / retrofit kits

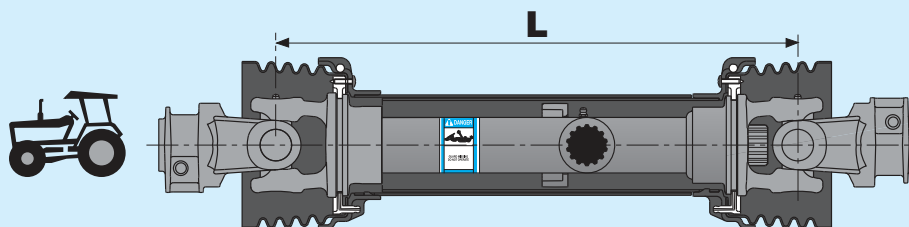
| | S1 | S2 | S4 | S5-S6 | H7 | S8-H8 | S9 | SH | S0 |
|-------------------|-----|-----|------------|------------|------------|------------|------------|------------|------------|
| 1 3/8" Z6 | --- | --- | 435000311R | 435000311R | 435000311R | 435000312R | 435000312R | 435000328R | 435000328R |
| 1 3/8" Z21 | --- | --- | 435000311R | 435000311R | 435000311R | 435000312R | 435000312R | 435000328R | 435000328R |
| 1 3/4" Z6 | --- | --- | --- | 435000411R | 435000411R | 435000411R | 435000411R | 435000423R | 435000423R |
| 1 3/4" Z20 | --- | --- | --- | 435000411R | 435000411R | 435000411R | 435000411R | 435000423R | 435000423R |

With splined profiles

| 041 | 051 | 061 | 071 |
|-----------------|-----------------|-----------------|-----------------|
| 410 | 510 | 610 | 710 |
| --- | --- | --- | --- |
| --- | --- | --- | --- |
| --- | --- | --- | --- |
| --- | --- | --- | --- |
| CS6S041CE007007 | CS6S051CE007007 | CS6S061CE007007 | CS6S071CE007007 |
| CH7S041CE007007 | CH7S051CE007007 | CH7S061CE007007 | CH7S071CE007007 |
| CS8S041CE007007 | CS8S051CE007007 | CS8S061CE007007 | CS8S071CE007007 |
| --- | --- | --- | --- |
| CS9S041CE007007 | CS9S051CE007007 | CS9S061CE007007 | CS9S071CE007007 |
| CSSH041CE007007 | CSSH051CE007007 | CSSH061CE007007 | CSSH071CE007007 |
| CS0S041CER07R07 | CS0S051CER07R07 | CS0S061CER07R07 | CS0S071CER07R07 |

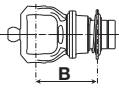
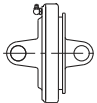
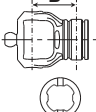
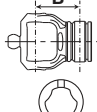
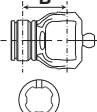
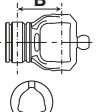
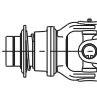
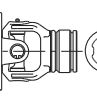
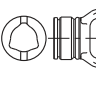
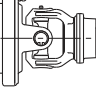
Codes above are equipped with CE mark (includes CE labels, instructions, and declaration of conformity). For other countries, the "CE" may be replaced by "U2" (for North America), "JP" (for Japan), or "FX", which will have labels and instructions according to pages 2 and 3.

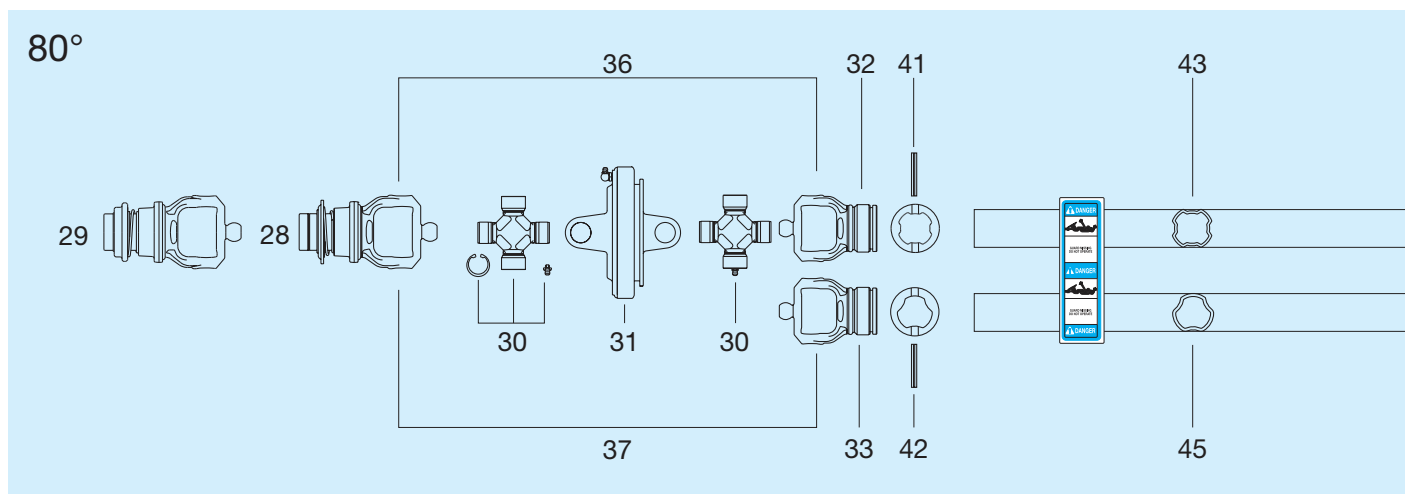
Splined Profiles



SFT 80° EL CV joints



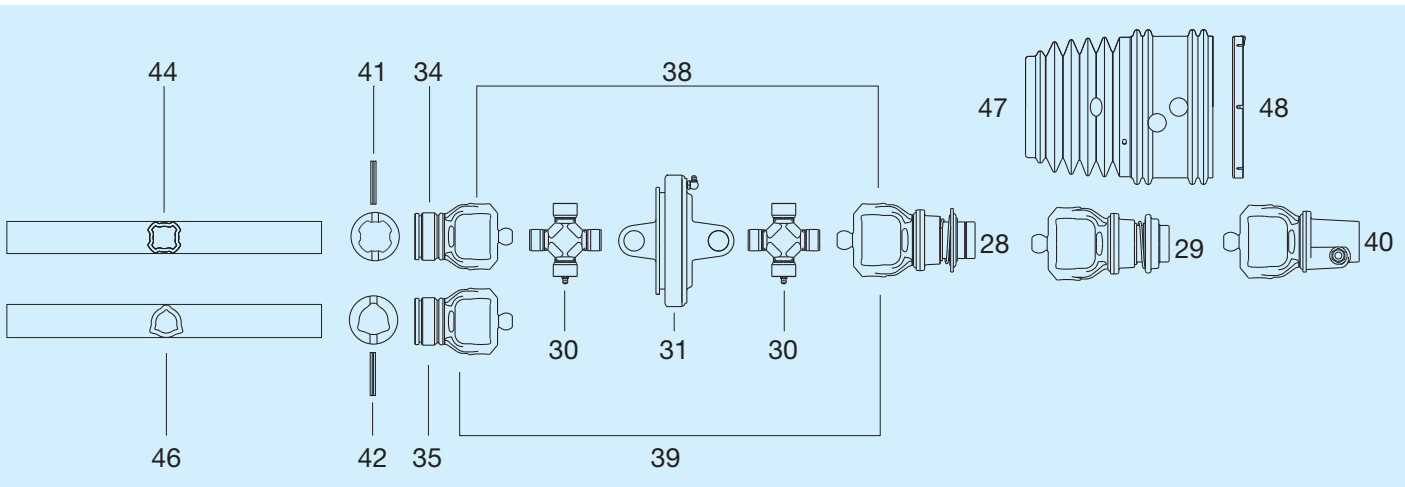
| 28 | 31 | 32 | 33 | 34 | 35 | 36 | 38 | 37 | 39 |
|--|---|---|---|---|---|---|---|---|---|
|  |  |  |  |  |  |  |  |  |  |
| 1 3/8" Z6 | CV BODY | CV OUTER TUBE YOKE | CV OUTER TUBE YOKE | CV INNER TUBE YOKE | CV INNER TUBE YOKE | JOINT FOR OUTER TUBE | JOINT FOR INNER TUBE | JOINT FOR OUTER TUBE | JOINT FOR INNER TUBE |
| --- | --- | --- | --- | --- | --- | --- | --- | --- | --- |
| B 87 5730C0377 | 5110C0053 | B 75 2150C6871 | B 75 2150C6873 | B 75 2150C6872 | B 74,5 2150C6874 | CS2GWW49WR7 | CS2GWW50WR7 | CS2GWW83WR7 | CS2GWW89WR7 |
| B 103 5730E0384 | 5110E0052 | B 76 2150E6871 | B 75 2150E6883 | B 76 2150E6872 | B 75,5 2150E6884 | CS4GWW49WR7 | CS4GWW50WR7 | CS4GWW83WR7 | CS4GWW89WR7 |
| --- | --- | --- | --- | --- | --- | --- | --- | --- | --- |
| B 119 5730G0384 | 5110G0061 | B 81 2150G6871 | B 81 2150G6883 | B 81 2150G6872 | B 81 2150G6884 | CS6GWW49WR7 | CS6GWW50WR7 | CS6GWW83WR7 | CS6GWW89WR7 |
| B 119 5730G0384 | 5110H0051 | B 81 2150G6882 | --- | B 81 2150G6895 | --- | CH7GWW49WR7 | CH7GWW50WR7 | --- | --- |
| B 126 5730L0387 | 5110L0063 | B 89 2150L6871 | --- | B 89 2150L6872 | --- | CS8GWW49WS7 | CS8GWW50WR7 | --- | --- |
| B 126 5730L0387 | 5110L0063 | B 89 2150L6867 | --- | B 89 2150L6868 | --- | CH8GWW49WS7 | CH8GWW50WR7 | --- | --- |
| B 118 5730M0387 | 5110M0051 | B 93 2150M6851 | --- | B 93 2150M6852 | --- | CS9GWW49WS7 | CS9GWW50WR7 | --- | --- |
| B 119 5730N0387 | 5110N0051 | B 93 2150N6851 | --- | B 93 2150N6852 | --- | CSHGWW49WS0 | CSHGWW50WR0 | --- | --- |
| --- | --- | --- | --- | --- | --- | --- | --- | --- | --- |



Guards removed for illustration purposes only. Make sure all driveline, tractor, and equipment shields are in place before operation.

| 41 | 42 | 43 | 44 | 45 | 46 | 47 | 48 |
|------------------------------|------------------------------------|--|--|--|--|-------------|-----------------------------|
| | | | | | | | |
| ROLL PIN FOR 4 TOOTH PROFILE | ROLL PIN FOR FREE ROTATION PROFILE | OUTER DRIVE TUBE - RILSAN | INNER DRIVE TUBE - RILSAN | OUTER DRIVE TUBE - RILSAN | INNER DRIVE TUBE - RILSAN | SHIELD CONE | CV SHIELD CONE BEARING RING |
| --- | --- | --- | --- | --- | --- | --- | --- |
| 341038000R10 | 341038000R10 | $D_1=45,60$ $T_1=2,50$ 122223000R06 | $D_2=40,10$ $T_2=3,25$ 2454L3000R06 | $D_1=40,40$ $T_1=2,85$ 123123000R06 | $D_2=29,60$ $T_2=4,25$ 245043000R06 | 2190E0121 | 2550E0005R02 |
| 341078000R10 | 341078000R10 | $D_1=50,20$ $T_1=2,50$ 122433000R06 | $D_2=44,70$ $T_2=3,75$ 2453G3000R06 | $D_1=48,00$ $T_1=3,10$ 123143000R06 | $D_2=36,60$ $T_2=4,25$ 245103000R06 | 2190E0121 | 2550E0005R02 |
| --- | --- | --- | --- | --- | --- | --- | --- |
| 341103000R10 | 341103000R10 | $D_1=53,90$ $T_1=3,00$ 122463000R06 | $D_2=47,40$ $T_2=4,75$ 2453N3000R06 | $D_1=58,50$ $T_1=3,35$ 123163000R06 | $D_2=45,60$ $T_2=4,45$ 245163000R06 | 2190G0141 | 2550G0024R02 |
| 341103000R10 | --- | $D_1=58,20$ $T_1=3,00$ 122253000R06 | $D_2=51,70$ $T_2=5,25$ 2454D3000R06 | --- | --- | 2190G0141 | 2550G0024R02 |
| 341103000R10 | --- | $D_1=58,20$ $T_1=3,00$ 122253000R06 | $D_2=51,70$ $T_2=5,25$ 2454D3000R06 | --- | --- | 2190L0121 | 2550L0023R02 |
| 341103000R10 | --- | $D_1=66,00$ $T_1=3,25$ 122273000R06 | $D_2=59,00$ $T_2=4,75$ 2453V3000R06 | --- | --- | 2190L0121 | 2550L0023R02 |
| 341103000R10 | --- | $D_1=66,00$ $T_1=3,25$ 122273000R06 | $D_2=59,00$ $T_2=4,75$ 2453V3000R06 | --- | --- | 2190N0122 | 2550L0023R02 |
| 341103000R10 | --- | $D_1=70,20$ $T_1=3,75$ 122283000R06 | $D_2=62,20$ $T_2=6,00$ 2454E3000R06 | --- | --- | 2190N0122 | 2550L0023R02 |
| --- | --- | --- | --- | --- | --- | --- | --- |

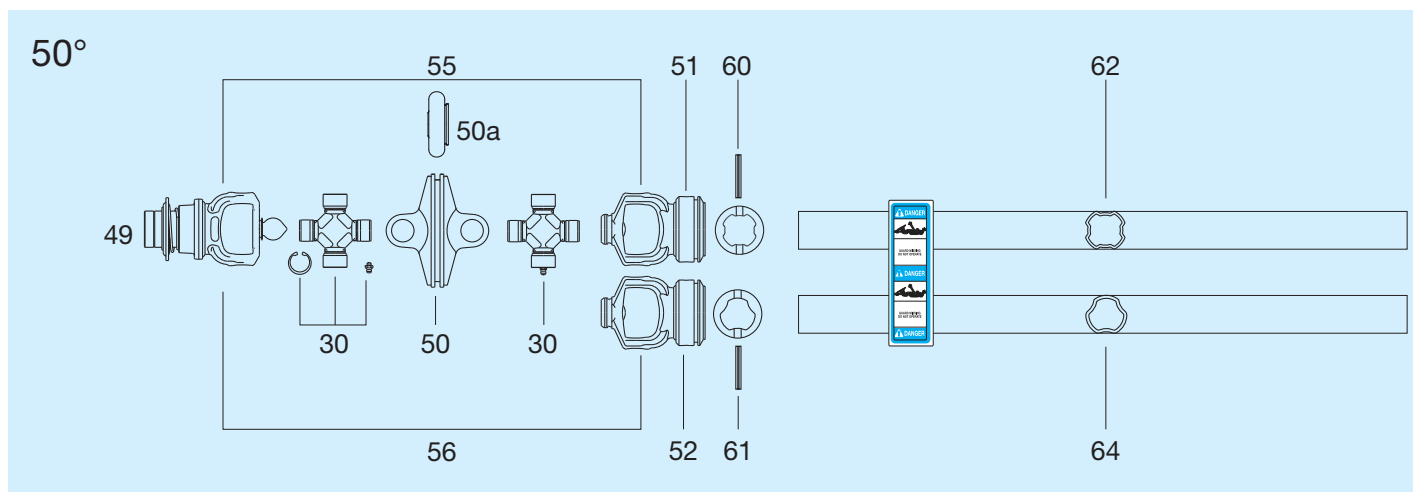
The codes for the tubes reference the 3 meter lengths packaged in multiples of 6 pieces.



SFT 50° EL CV joints



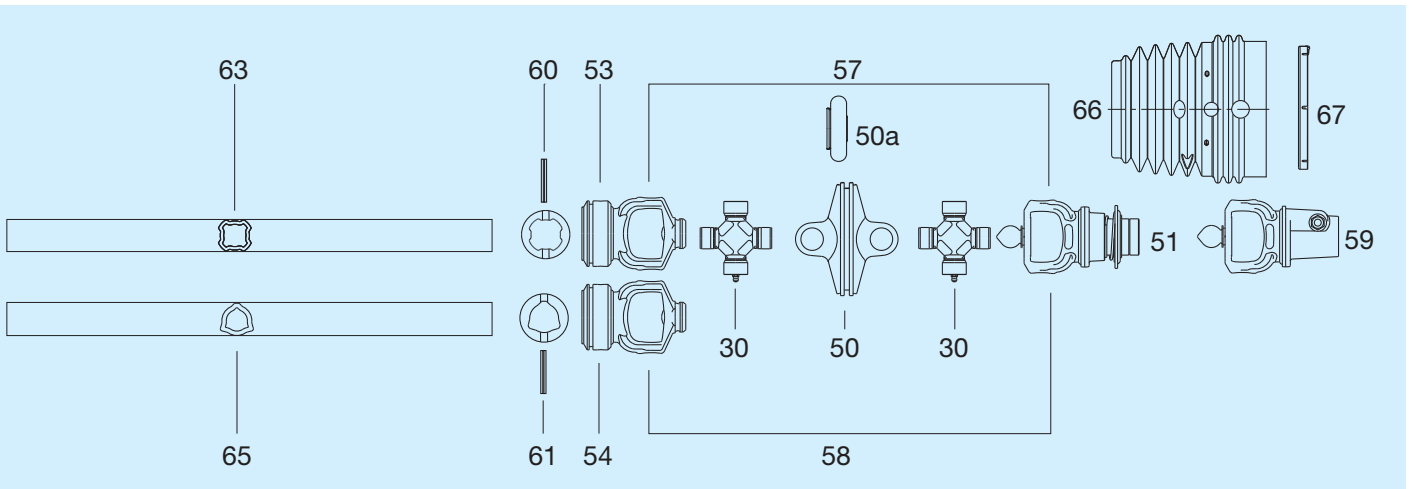
| 49 | 50 | 50a | 51 | 52 | 53 | 54 | 55 | 57 | 56 |
|--------------------|-----------|-------------|--------------------|--------------------|--------------------|--------------------|----------------|----------------|----------------|
| | | | | | | | | | |
| 1 3/8" Z6 | CV BODY | RUBBER BOOT | CV OUTER TUBE YOKE | CV OUTER TUBE YOKE | CV INNER TUBE YOKE | CV INNER TUBE YOKE | CV JOINT OUTER | CV JOINT INNER | CV JOINT INNER |
| --- | --- | --- | --- | --- | --- | --- | --- | --- | --- |
| --- | --- | --- | --- | --- | --- | --- | --- | --- | --- |
| B 95 5730E0353 | 2080E0055 | 246000101 | B 67 2080E6863 | B 67 2080E6873 | B 67 2080E6864 | B 67 2080E6874 | CS4GKK49KR7 | CS4GKK50KR7 | CS4GKK83KR7 |
| --- | --- | --- | --- | --- | --- | --- | --- | --- | --- |
| B 114 5730G0353 | 2080G0064 | 246000116 | B 77 2080G6869 | B 77 2080G6880 | B 77 2080G6870 | B 77 2080G6881 | CS6GKK49KR7 | CS6GKK50KR7 | CS6GKK83KR7 |
| B 114 5730G0353 | 2080G0064 | 246000116 | B 77 2080G6873 | --- | B 77 2080G6874 | --- | CH7GKK49KR7 | CH7GKK50KR7 | --- |
| B 114 5730L0353 | 2080L0064 | 246000116 | B 77 2080L6861 | --- | B 77 2080L6862 | --- | CS8GKK49KR7 | CS8GKK50KR7 | --- |
| B 114 5730L0353 | 2080L0064 | 246000116 | B 77 2080L6866 | --- | B 77 2080L6867 | --- | CH8GKK49KR7 | CH8GKK50KR7 | --- |
| B 113 5730N0355 | 2080N0051 | 246000118 | B 89 2080N6853 | --- | B 89 2080N6854 | --- | CS9GKK49KR7 | CS9GKK50KR7 | --- |
| B 113 5730N0355 | 2080N0051 | 246000118 | B 92 2080N6851 | --- | B 92 2080N6852 | --- | CSHGKK49KR0 | CSHGKK50KR0 | --- |
| --- | --- | --- | --- | --- | --- | --- | --- | --- | --- |

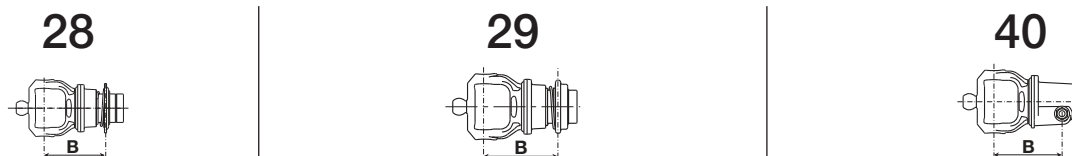


Guards removed for illustration purposes only. Make sure all driveline, tractor, and equipment shields are in place before operation.

| 58 | 60 | 61 | 62 | 63 | 64 | 65 | 66 | 67 |
|----------------|------------------------------|--------------------------------|--|--|--|--|-------------|-----------------------------|
| | | | | | | | | |
| CV JOINT OUTER | ROLL PIN FOR 4 TOOTH PROFILE | ROLL PIN FREE ROTATION PROFILE | OUTER DRIVE TUBE | INNER DRIVE TUBE | OUTER DRIVE TUBE | INNER DRIVE TUBE | SHIELD CONE | CV SHIELD CONE BEARING RING |
| --- | --- | --- | --- | --- | --- | --- | --- | --- |
| --- | --- | --- | --- | --- | --- | --- | --- | --- |
| CS4GKK89KR7 | 341078000R10 | 341078000R10 | $D_1=50,20$ $T_1=2,50$ 122423000R06 | $D_2=44,70$ $T_2=3,75$ 122413000R06 | $D_1=48,00$ $T_1=3,10$ 123143000R06 | $D_2=36,60$ $T_2=4,25$ 125073000R06 | 2190E0124 | 2550E0005R02 |
| --- | --- | --- | --- | --- | --- | --- | --- | --- |
| CS6GKK89KR7 | 341103000R10 | 341103000R10 | $D_1=53,90$ $T_1=3,00$ 122453000R06 | $D_2=47,40$ $T_2=4,75$ 122443000R06 | $D_1=58,50$ $T_1=3,35$ 123163000R06 | $D_2=45,60$ $T_2=4,45$ 125093000R06 | 2190G0143 | 2550G0024R02 |
| --- | 341103000R10 | --- | $D_1=58,20$ $T_1=3,00$ 122663000R06 | $D_2=51,70$ $T_2=5,25$ 122653000R06 | --- | --- | 2190G0143 | 2550G0024R02 |
| --- | 341103000R10 | --- | $D_1=58,20$ $T_1=3,00$ 122093000R06 | $D_2=51,70$ $T_2=5,25$ 122513000R06 | --- | --- | 2190G0143 | 2550G0024R02 |
| --- | 341103000R10 | --- | $D_1=66,00$ $T_1=3,25$ 122113000R06 | $D_2=59,00$ $T_2=4,75$ 122383000R06 | --- | --- | 2190G0143 | 2550G0024R02 |
| --- | 341103000R10 | --- | --- | --- | --- | --- | 2190N0121 | 2550L0023R02 |
| --- | 341103000R10 | --- | $D_1=70,20$ $T_1=3,75$ 122133000R06 | $D_2=62,20$ $T_2=6,00$ 122553000R06 | --- | --- | 2190N0121 | 2550L0023R02 |
| --- | --- | --- | --- | --- | --- | --- | --- | --- |

The codes for the tubes reference the 3 meter lengths packaged in multiples of 6 pieces.





| 28 | | | 29 | | | | 40 | | | |
|------------|-----------|------------|-----------|------------|-----------|------------|-----------|------------|-----------|------------|
| 1 3/8" Z21 | 1 3/4" Z6 | 1 3/4" Z20 | 1 3/8" Z6 | 1 3/8" Z21 | 1 3/4" Z6 | 1 3/4" Z20 | 1 3/8" Z6 | 1 3/8" Z21 | 1 3/4" Z6 | 1 3/4" Z20 |
| --- | --- | --- | --- | --- | --- | --- | --- | --- | --- | --- |
| B 87 | --- | --- | --- | --- | --- | --- | --- | --- | --- | --- |
| 5730C3789 | --- | --- | --- | --- | --- | --- | --- | --- | --- | --- |
| B 91 | B 109 | B 109 | B 103 | B 91 | B 109 | B 109 | B 103 | B 91 | --- | --- |
| 5730E3784 | 5730E0484 | 5730E3884 | 5730E0391 | 5730E3791 | 5730E0491 | 5730E3891 | 5110E0361 | 5110E3761 | --- | --- |
| --- | --- | --- | --- | --- | --- | --- | --- | --- | --- | --- |
| B 106 | B 120 | B 120 | B 119 | B 106 | B 120 | B 120 | B 119 | B 106 | B 120 | B 120 |
| 5730G3784 | 5730G0484 | 5730G3884 | 5730G0391 | 5730G3791 | 5730G0491 | 5730G3891 | 5110G0361 | 5110G3761 | 5110G0461 | 5110G3861 |
| B 106 | B 120 | B 120 | B 119 | B 106 | B 120 | B 120 | B 119 | B 106 | B 120 | B 120 |
| 5730G3784 | 5730G0484 | 5730G3884 | 5730G0391 | 5730G3791 | 5730G0491 | 5730G3891 | 5110G0361 | 5110G3761 | 5110G0461 | 5110G3861 |
| B 114 | B 127 | B 127 | B 126 | B 114 | B 127 | B 127 | B 126 | B 114 | B 127 | B 127 |
| 5730L3784 | 5730L0484 | 5730L3887 | 5730L0391 | 5730L3791 | 5730L0491 | 5730L3891 | 5110L0361 | 5110L3761 | 5110L0461 | 5110L3861 |
| B 114 | B 127 | B 127 | B 126 | B 114 | B 127 | B 127 | B 126 | B 114 | B 127 | B 127 |
| 5730L3784 | 5730L0484 | 5730L3887 | 5730L0391 | 5730L3791 | 5730L0491 | 5730L3891 | 5110L0361 | 5110L3761 | 5110L0461 | 5110L3861 |
| B 108 | B 126 | B 126 | B 118 | B 108 | B 126 | B 126 | B 126 | B 126 | B 126 | B 126 |
| 5730M3776 | 5730M0476 | 5730M3887 | 5730M0391 | 5730M3791 | 5730M0491 | 5730M3891 | 5110M0351 | 5110M3751 | 5110M0451 | 5110M3851 |
| B 109 | B 127 | B 127 | B 119 | B 109 | B 127 | B 127 | B 127 | B 127 | B 127 | B 126 |
| 5730N3776 | 5730N0476 | 5730N3887 | 5730N0391 | 5730N3791 | 5730N0491 | 5730N3891 | 5110N0351 | 5110N3751 | 5110N0451 | 5110N3851 |
| --- | --- | --- | --- | --- | --- | --- | --- | --- | --- | --- |

Ball collar repair kits



Taper pin yokes should only be mounted on the implement end of primary driveshafts.

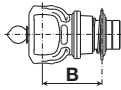
| | S1 | S2 | S4 | S5 | S6-H7 | S8-H8 | S9 | SH | S0 |
|------------|-----|------------|------------|-----|------------|------------|------------|------------|-----|
| 1 3/8" Z6 | --- | 435000323R | 435000323R | --- | 435000323R | 435000323R | 435000323R | 435000323R | --- |
| 1 3/8" Z21 | --- | 435000323R | 435000323R | --- | 435000323R | 435000323R | 435000323R | 435000323R | --- |
| 1 3/4" Z6 | --- | --- | 435000420R | --- | 435000420R | 435000420R | 435000420R | 435000420R | --- |
| 1 3/4" Z20 | --- | --- | 435000420R | --- | 435000420R | 435000420R | 435000420R | 435000420R | --- |

Automatic ball collar repair / retrofit kits

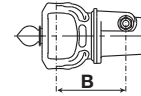


| | S1 | S2 | S4 | S5 | S6-H7 | S8-H8 | S9 | SH | S0 |
|------------|-----|-----|------------|-----|------------|------------|------------|------------|-----|
| 1 3/8" Z6 | --- | --- | 435000311R | --- | 435000311R | 435000311R | 435000311R | 435000311R | --- |
| 1 3/8" Z21 | --- | --- | 435000311R | --- | 435000311R | 435000311R | 435000311R | 435000311R | --- |
| 1 3/4" Z6 | --- | --- | 435000411R | --- | 435000411R | 435000411R | 435000411R | 435000411R | --- |
| 1 3/4" Z20 | --- | --- | 435000411R | --- | 435000411R | 435000411R | 435000411R | 435000411R | --- |

49



59



| 1 3/8" Z21 | 1 3/4" Z6 | 1 3/4" Z20 | 1 3/8" Z6 | 1 3/8" Z21 | 1 3/4" Z6 | 1 3/4" Z20 |
|------------|-----------|------------|-----------|------------|-----------|------------|
| --- | --- | --- | --- | --- | --- | --- |
| --- | --- | --- | --- | --- | --- | --- |
| B 82 | B 100 | B 100 | B 95 | B 82 | --- | --- |
| 5730E3753 | 5730E0453 | 5730E3853 | 5190E0352 | 5190E3752 | --- | --- |
| --- | --- | --- | --- | --- | --- | --- |
| B 102 | B 115 | B 115 | B 114 | B 102 | B 115 | B 115 |
| 5730G3753 | 5730G0453 | 5730G3853 | 5190G0352 | 5190G3752 | 5190G0452 | 5190G3852 |
| B 102 | B 115 | B 115 | B 114 | B 102 | B 115 | B 115 |
| 5730G3753 | 5730G0453 | 5730G3853 | 5190G0352 | 5190G3752 | 5190G0452 | 5190G3852 |
| B 102 | B 115 | B 115 | B 114 | B 102 | B 115 | B 115 |
| 5730L3753 | 5730L0453 | 5730L3853 | 5190L0352 | 5190L3752 | 5190L0452 | 5190L3852 |
| B 102 | B 115 | B 115 | B 114 | B 102 | B 115 | B 115 |
| 5730L3753 | 5730L0453 | 5730L3853 | 5190L0352 | 5190L3752 | 5190L0452 | 5190L3852 |
| B 103 | B 121 | B 121 | B 121 | B 121 | B 121 | B 121 |
| 5730L3753 | 5730L0453 | 5730L3853 | 5190N0351 | 5190N3751 | 5190N0451 | 5190N3851 |
| B 103 | B 121 | B 121 | B 121 | B 121 | B 121 | B 121 |
| 5730N3753 | 5730N0453 | 5730N3853 | 5190N0351 | 5190N3751 | 5190N0451 | 5190N3851 |
| --- | --- | --- | --- | --- | --- | --- |

Taper pin yokes should only be mounted on the implement end of primary driveshafts.

Tapered pin kits

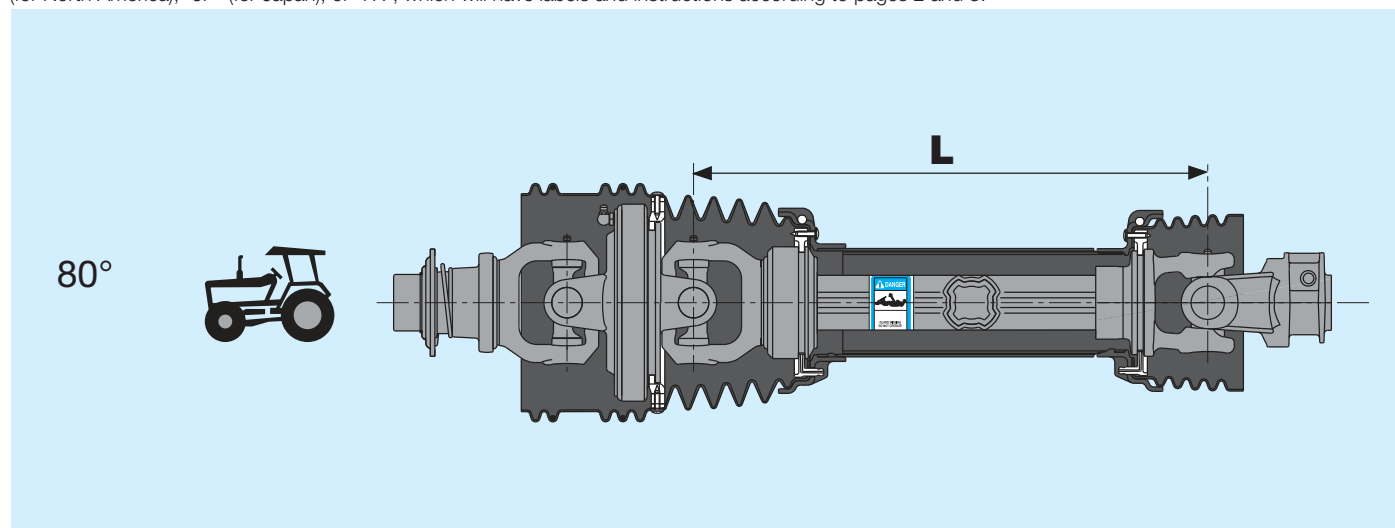
Use pin that fits completely into hub. Discard other pins and nut. Use tapered nut ONLY with pin (C) and yoke with counter-sunk hole.

| | S1 | S2 | S4 | S5 | S6-H7 | S8-H8 | S9 | SH | S0 |
|------------|-----|-----|------------|-----|------------|------------|------------|------------|-----|
| 1 3/8" Z6 | --- | --- | 408000075R | --- | 408000075R | 408000075R | 408000075R | 408000075R | --- |
| 1 3/8" Z21 | --- | --- | 408000075R | --- | 408000075R | 408000075R | 408000075R | 408000075R | --- |
| 1 3/4" Z6 | --- | --- | --- | --- | 408000076R | 408000076R | 408000076R | 408000076R | --- |
| 1 3/4" Z20 | --- | --- | --- | --- | 408000076R | 408000076R | 408000076R | 408000076R | --- |

Complete driveshafts

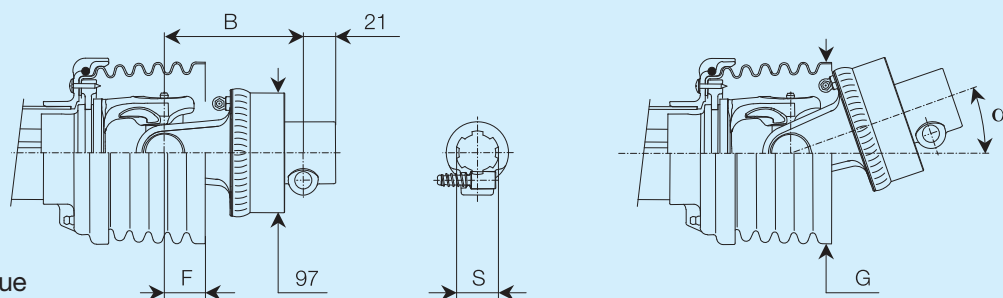
| 071 | 081 | 086 | 101 | 121 |
|-----------------|-----------------|-----------------|-----------------|-----------------|
| 710 | 810 | 860 | 1010 | 1210 |
| --- | --- | --- | --- | --- |
| CS2R071CEWR7007 | CS2R081CEWR7007 | CS2R086CEWR7007 | CS2R101CEWR7007 | CS2R121CEWR7007 |
| CS4R071CEWR7007 | CS4R081CEWR7007 | CS4R086CEWR7007 | CS4R101CEWR7007 | CS4R121CEWR7007 |
| --- | --- | --- | --- | --- |
| CS6R071CEWR7007 | CS6R081CEWR7007 | CS6R086CEWR7007 | CS6R101CEWR7007 | CS6R121CEWR7007 |
| CH7R071CEWR7007 | CH7R081CEWR7007 | CH7R086CEWR7007 | CH7R101CEWR7007 | CH7R121CEWR7007 |
| CS8R071CEWS7007 | CS8R081CEWS7007 | CS8R086CEWS7007 | CS8R101CEWS7007 | CS8R121CEWS7007 |
| CH8R071CEWS7007 | CH8R081CEWS7007 | CH8R086CEWS7007 | CH8R101CEWS7007 | CH8R121CEWS7007 |
| CS9R071CEWS7007 | CS9R081CEWS7007 | CS9R086CEWS7007 | CS9R101CEWS7007 | CS9R121CEWS7007 |
| CSHR071CEWS7R07 | CSHR081CEWS7R07 | CSHR086CEWS7R07 | CSHR101CEWS7R07 | CSHR121CEWS7R07 |
| --- | --- | --- | --- | --- |

Codes above are equipped with CE mark (includes CE labels, instructions, and declaration of conformity). For other countries, the "CE" may be replaced by "U2" (for North America), "JP" (for Japan), or "FX", which will have labels and instructions according to pages 2 and 3.





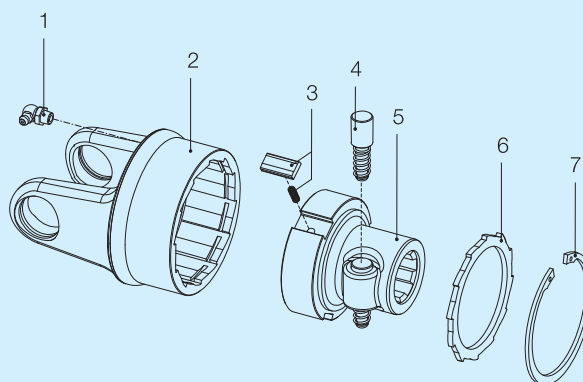
RA1



Maximum torque
2400 Nm

| Size | B (mm) | | | | F mm | G mm | α ° | Spare parts code | | | | |
|------|-----------|------------|-----------|------------|---------|---------|---------------|------------------|----------------|------------|-----------|------------|
| | 1 3/8" Z6 | 1 3/8" Z21 | 1 3/4" Z6 | 1 3/4" Z20 | | | | 1 3/8" Z6 | 1 3/8" Z6 (SX) | 1 3/8" Z21 | 1 3/4" Z6 | 1 3/4" Z20 |
| S1 | 94 | 94 | --- | --- | 23 | 129 | 22° | 601101701R | 602101701R | 601101702R | --- | --- |
| S2 | 100 | 100 | --- | --- | 42 | 146 | 20° | 601102701R | 602102701R | 601102702R | --- | --- |
| S4 | 109 | 109 | --- | --- | 37 | 146 | 24° | 601104701R | 602104701R | 601104702R | --- | --- |
| S5 | 112 | 112 | --- | --- | 33 | 146 | 24° | 601105704R | 602105701R | 601105702R | --- | --- |

The codes in columns with heading **(SX)** are for counter-clockwise rotation. All other codes are for clockwise rotation.

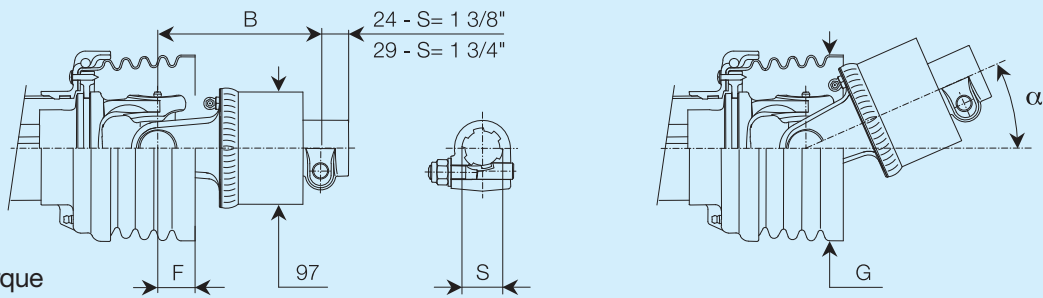


| Ref. | Size | Spare parts code | Description | Technical data |
|------|------|------------------|----------------------|--------------------|
| 1 | | 348014000R20 | Grease fitting | |
| 2 | S1 | 418011201R | Outer housing + yoke | |
| | S2 | 418021201R | | |
| | S4 | 418041203R | | |
| | S5 | 418051201R | | |
| 3 | | 4210C0001R03 | Pawl + spring kit | L = 22,8 |
| 4 | | 403000001R10 | Push-pin kit | |
| 5 | | 5130C0301R | Hub with push-pin | 1 3/8" Z6 |
| | | 5130C3701R | | 1 3/8" Z21 |
| 6 | | 246000132R02 | Locking plate | |
| 7 | | 338005000R20 | Snap ring | 82 x 2.5 DIN 472/1 |

For primary drivelines, always install any torque limiter or overrunning clutch on the implement side.
All rotating parts must be guarded.

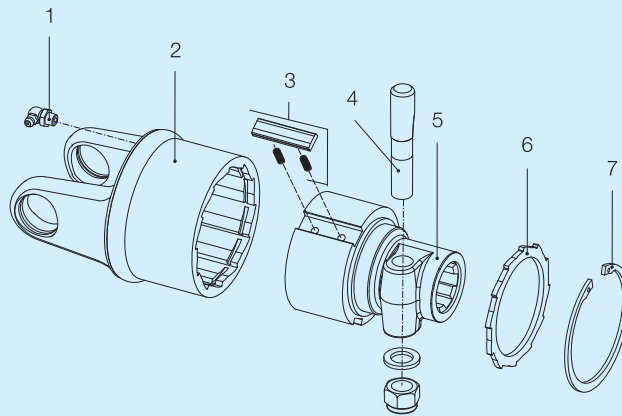
RA2

Maximum torque
3800 Nm



| Size | B (mm) | | | | F | G | α | Spare parts code | | | | |
|------|----------------|-----------------|----------------|-----------------|----|-----|----------|------------------|----------------|------------|------------|------------|
| | S 1 3/8" Z6 | S 1 3/8" Z21 | S 1 3/4" Z6 | S 1 3/4" Z20 | | | | 1 3/8" Z6 | 1 3/8" Z6 (SX) | 1 3/8" Z21 | 1 3/4" Z6 | 1 3/4" Z20 |
| S6 | 140 | 140 | 142 | 142 | 32 | 160 | 32° | 601205601R | 602205601R | 601205602R | 601205603R | 601205604R |
| H7 | 147 | 147 | 149 | 149 | 29 | 160 | 29° | 601206601R | 602206601R | 601206602R | 601206603R | 601206604R |
| S8 | 160 | 160 | 162 | 162 | 42 | 160 | 28° | 601217601R | --- | 601217602R | 601217603R | 601217604R |

The codes in columns with heading **(SX)** are for counter-clockwise rotation. All other codes are for clockwise rotation.



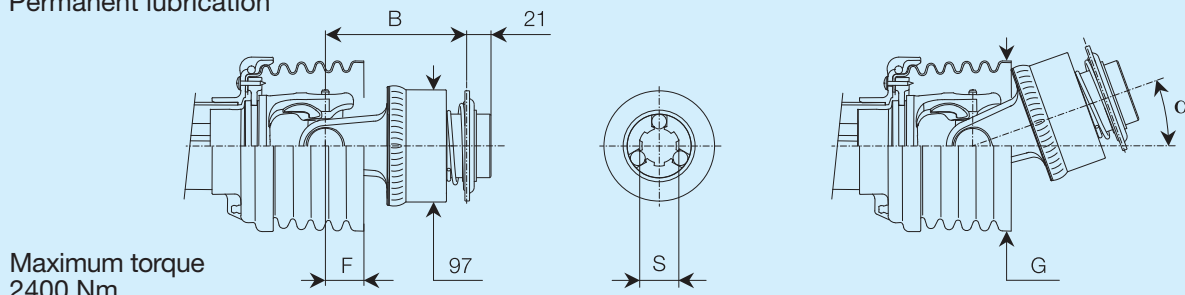
| Ref. | Size | Spare parts code | Description | Technical data |
|------|------|------------------|--------------------------|--------------------|
| 1 | | 348014000R20 | Grease fitting | |
| 2 | S6 | 418052203R | Outer housing + yoke | |
| | H7 | 418062203R | | |
| | S8 | 418172203R | | |
| 3 | | 4210E0001R03 | Pawl + spring kit | L = 42,8 |
| 4 | | 408000047R02 | Taper pin + washer + nut | 1 3/8" Z6 - Z21 |
| | | 408000046R02 | | 1 3/4" Z6 - Z20 |
| 5 | | 5150E0301R | Hub with taper pin | 1 3/8" Z6 |
| | | 5150E3701R | | 1 3/8" Z21 |
| | | 5150E0401R | | 1 3/4" Z6 |
| | | 5150E3801R | | 1 3/4" Z20 |
| 6 | | 246000132R02 | Locking plate | 1 3/8" Z6 - Z21 |
| | | 246000134R02 | Split locking plate | 1 3/4" Z6 - Z20 |
| 7 | | 338005000R20 | Snap ring | 82 x 2.5 DIN 472/1 |



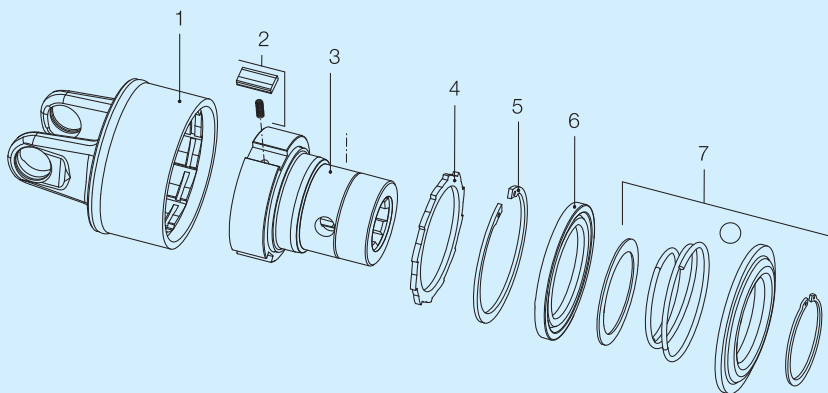
For primary drivelines, always install any torque limiter or overrunning clutch on the implement side.
All rotating parts must be guarded.

RL1

Permanent lubrication



| Size | B (mm) | | | | F mm | G mm | α ° | Spare parts code | | | |
|------|----------------|-----------------|----------------|-----------------|---------|---------|---------------|------------------|------------|-----------|------------|
| | S 1 3/8" Z6 | S 1 3/8" Z21 | S 1 3/4" Z6 | S 1 3/4" Z20 | | | | 1 3/8" Z6 | 1 3/8" Z21 | 1 3/4" Z6 | 1 3/4" Z20 |
| S1 | 103 | 103 | --- | --- | 23 | 129 | 22° | 60150B401R | 60150B402R | --- | --- |
| S2 | 109 | 109 | --- | --- | 42 | 146 | 20° | 60150C401R | 60150C402R | --- | --- |
| S4 | 118 | 118 | --- | --- | 37 | 146 | 24° | 60150E401R | 60150E402R | --- | --- |
| S5 | 121 | 121 | --- | --- | 33 | 146 | 24° | 60150G401R | 60150G402R | --- | --- |

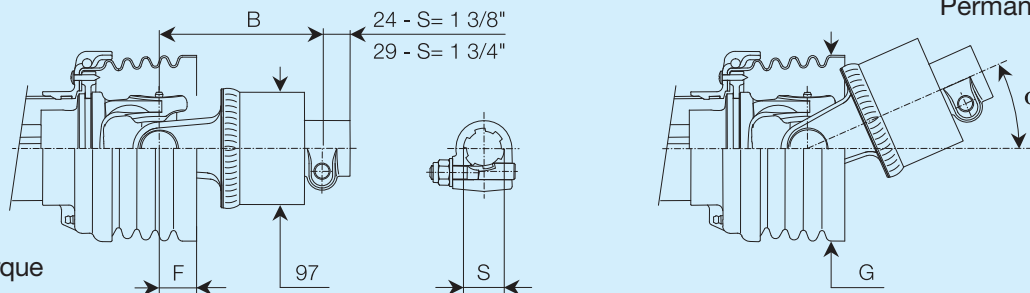


| Ref. | Size | Spare parts code | Description | Technical data |
|------|------|------------------|----------------------|--------------------|
| 1 | S1 | 4180B5001R | Outer housing + yoke | |
| | S2 | 4180C5001R | | |
| | S4 | 4180E5001R | | |
| | S5 | 4180G5001R | | |
| 2 | | 4210C0001R03 | Pawl + spring kit | L = 22,8 |
| 3 | | 2270C0303R | Hub | 1 3/8" Z6 |
| | | 2270C3703R | | 1 3/8" Z21 |
| 4 | | 246000132R02 | Locking plate | |
| 5 | | 338005000R20 | Snap ring | 82 x 2.5 DIN 472/1 |
| 6 | | 359005901R02 | Retaining ring | |
| 7 | | 435000331R | RT ball collar kit | 1 3/8" Z6 - Z21 |

For primary drivelines, always install any torque limiter or overrunning clutch on the implement side. All rotating parts must be guarded.

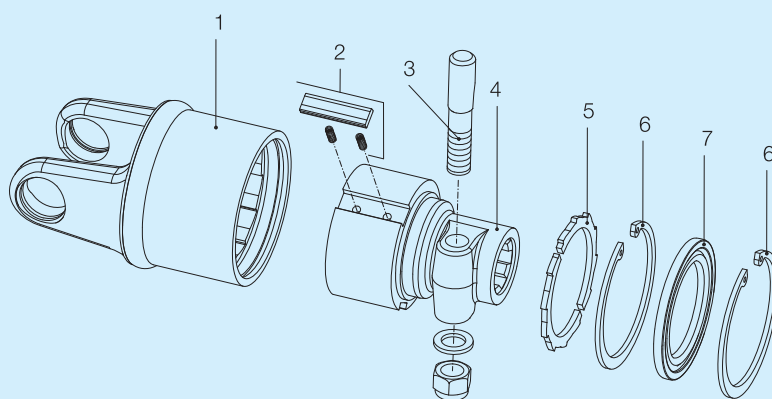
RL2

Permanent lubrication



Maximum torque
3800 Nm

| Size | B (mm) | | | | F mm | G mm | α ° | Spare parts code | | | |
|------|----------------|-----------------|----------------|-----------------|---------|---------|---------------|------------------|------------|------------|------------|
| | S 1 3/8" Z6 | S 1 3/8" Z21 | S 1 3/4" Z6 | S 1 3/4" Z20 | | | | 1 3/8" Z6 | 1 3/8" Z21 | 1 3/4" Z6 | 1 3/4" Z20 |
| S6 | 140 | 140 | 142 | 142 | 32 | 160 | 32° | 60160G601R | 60160G602R | 60160G603R | 60160G604R |
| H7 | 147 | 147 | 149 | 149 | 29 | 160 | 29° | 60160H601R | 60160H602R | 60160H603R | 60160H604R |
| S8 | 160 | 160 | 162 | 162 | 42 | 160 | 28° | 60160L601R | 60160L602R | 60160L603R | 60160L604R |



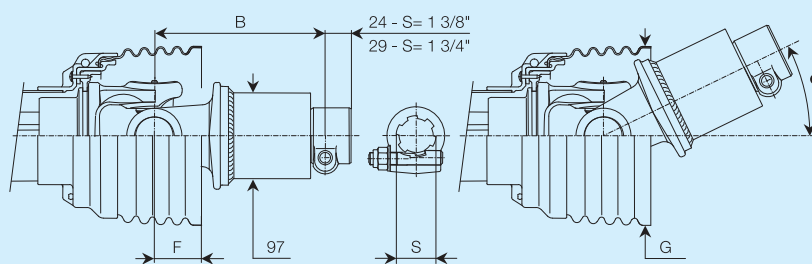
| Ref. | Size | Spare parts code | Description | Technical data |
|------|------|------------------|--------------------------|------------------|
| 1 | S6 | 4180G6001R | Outer housing + yoke | |
| | H7 | 4180H6001R | | |
| | S8 | 4180L6001R | | |
| 2 | | 4210E0001R03 | Pawl + spring kit | L = 42,8 |
| 3 | | 408000047R02 | Taper pin + washer + nut | 1 3/8" Z6 - Z21 |
| | | 408000046R02 | | 1 3/4" Z6 - Z20 |
| 4 | | 5150E0301R | Hub with taper pin | 1 3/8" Z6 |
| | | 5150E3701R | | 1 3/8" Z21 |
| | | 5150E0401R | | 1 3/4" Z6 |
| | | 5150E3801R | | 1 3/4" Z20 |
| 5 | | 246000132R02 | Locking plate | 1 3/8" Z6 - Z21 |
| | | 246000134R02 | Split locking plate | 1 3/4" Z6 - Z20 |
| 6 | | 338046000R20 | Snap ring | 88 x 3 DIN 472/1 |
| 7 | | 359005900R02 | Retaining ring | |

For primary drivelines, always install any torque limiter or overrunning clutch on the implement side.
All rotating parts must be guarded.

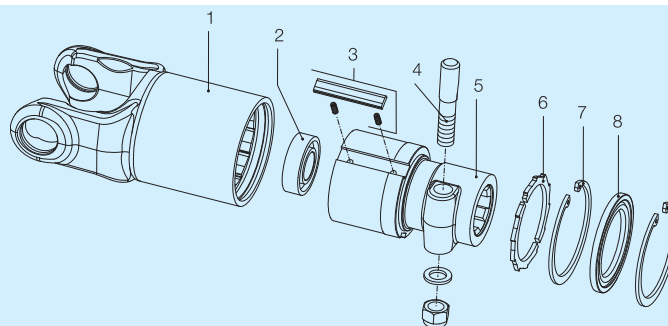
RL3

Permanent lubrication

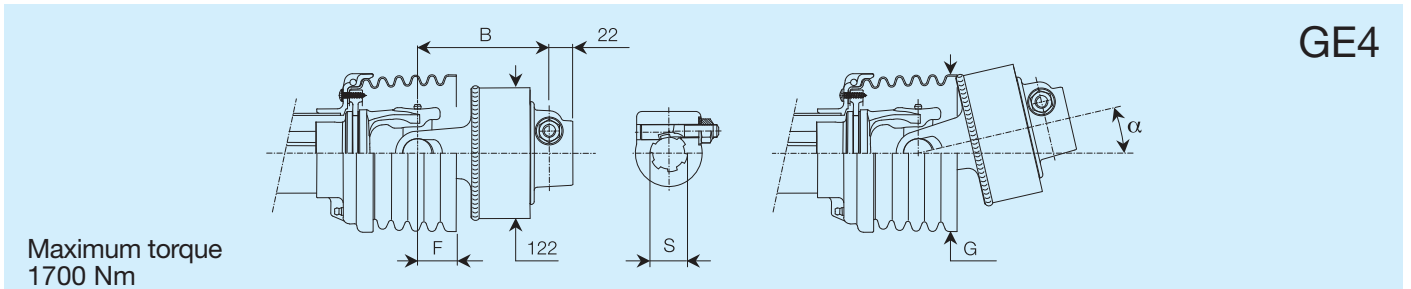
Maximum torque
6200 Nm



| Size | B (mm) | | | | F mm | G mm | α ° | Spare parts code | | | |
|-----------|----------------|-----------------|----------------|-----------------|---------|---------|---------------|------------------|------------|------------|------------|
| | S 1 3/8" Z6 | S 1 3/8" Z21 | S 1 3/4" Z6 | S 1 3/4" Z20 | | | | 1 3/8" Z6 | 1 3/8" Z21 | 1 3/4" Z6 | 1 3/4" Z20 |
| H8 | 180 | 180 | 182 | 182 | 42 | 160 | 28° | 60170L503R | 60170L502R | 60170L501R | 60170L504R |
| S9 | 191 | 191 | 193 | 193 | 49 | 180 | 26° | 60170M501R | 60170M502R | 60170M503R | 60170M504R |
| SH | 190 | 190 | 192 | 192 | 50 | 201 | 35° | 60170N501R | 60170N502R | 60170N503R | 60170N504R |
| S0 | 200 | 200 | 202 | 202 | 46 | 201 | 36° | 60170S501R | 60170S502R | 60170S503R | 60170S504R |



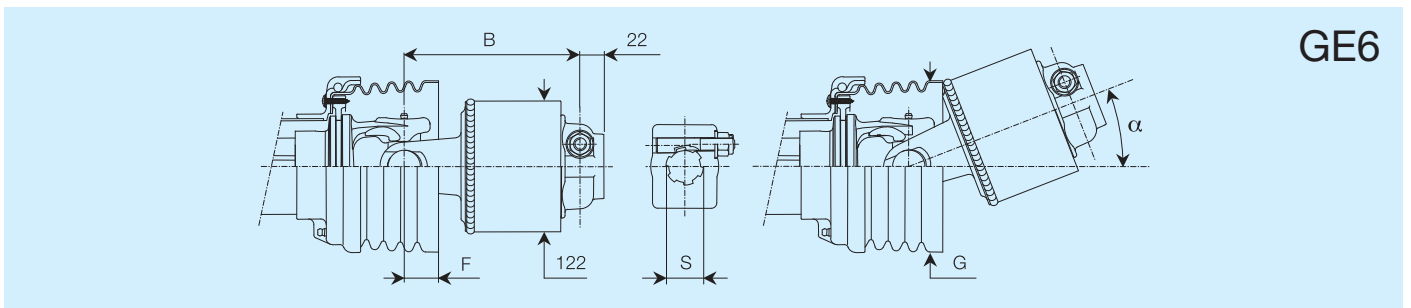
| Ref. | Size | Spare parts code | Description | Technical data |
|------|----------------|------------------|--------------------------|---------------------|
| 1 | H8 | 4180L7001R | Outer housing + yoke | |
| | S9 | 4180M7001R | | |
| | SH | 4180N7001R | | |
| | S0 | 4180S7001R | | |
| 2 | | 354110025 | Bearing | 6205 (25 x 52 x 15) |
| 3 | H8 - S9 | 4210G0001R03 | Pawl + spring (3 pawl) | L = 62,8 |
| | SH - S0 | 4210G0001R04 | Pawl + spring (4 pawl) | L = 62,8 |
| 4 | | 408000047R02 | Taper pin + washer + nut | 1 3/8" Z6 - Z21 |
| | | 408000046R02 | | 1 3/4" Z6 - Z20 |
| 5 | H8 - S9 | 5150G0306R | Hub with taper pin | 1 3/8" Z6 |
| | | 5150G3706R | | 1 3/8" Z21 |
| | | 5150G0406R | | 1 3/4" Z6 |
| | | 5150G3806R | | 1 3/4" Z20 |
| | SH - S0 | 5150G0307R | | 1 3/8" Z6 |
| | | 5150G3707R | | 1 3/8" Z21 |
| | | 5150G0407R | | 1 3/4" Z6 |
| | | 5150G3807R | | 1 3/4" Z20 |
| 6 | | 246000132R02 | Locking plate | 1 3/8" Z6 - Z21 |
| | | 246000134R02 | Split locking ring | 1 3/4" Z6 - Z20 |
| 7 | | 338046000R20 | Snap ring | 88 x 3 DIN 472/1 |
| 8 | | 359005900R02 | Retaining ring | |



GE4

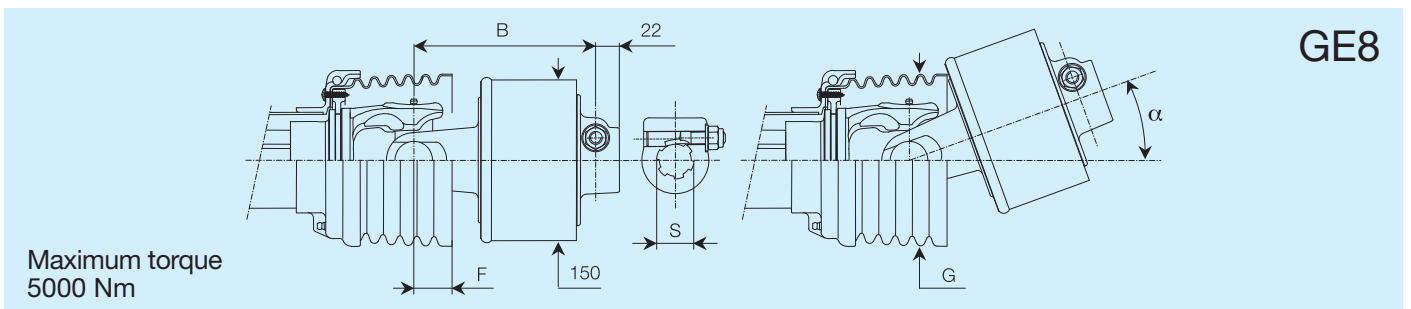
Maximum torque
1700 Nm

| Size | B (mm) | | | | Spare parts code | | | |
|------|----------------|-----------------|----------------|-----------------|------------------|------------|-----------|------------|
| | S 1 3/8" Z6 | S 1 3/8" Z21 | S 1 3/4" Z6 | S 1 3/4" Z20 | 1 3/8" Z6 | 1 3/8" Z21 | 1 3/4" Z6 | 1 3/4" Z20 |
| S4 | 125 | 125 | --- | --- | 608E46501R | 608E46502R | --- | --- |
| S5 | 134 | 134 | --- | --- | 608G46501R | 608G46502R | --- | --- |



GE6

| Size | Maximum torque | B (mm) | | | | Spare parts code | | | |
|------|----------------|----------------|-----------------|----------------|-----------------|------------------|------------|------------|------------|
| | | S 1 3/8" Z6 | S 1 3/8" Z21 | S 1 3/4" Z6 | S 1 3/4" Z20 | 1 3/8" Z6 | 1 3/8" Z21 | 1 3/4" Z6 | 1 3/4" Z20 |
| S6 | 1700 Nm | 164 | 164 | 164 | 164 | 608G65501R | 608G65502R | 608G65503R | 608G65504R |
| H7 | 3000 Nm | 170 | 170 | 170 | 170 | 608H66501R | 608H66502R | 608H66503R | 608H66504R |

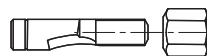


GE8

Maximum torque
5000 Nm

| Size | B (mm) | | | | Spare parts code | | | |
|------|----------------|-----------------|----------------|-----------------|------------------|------------|------------|------------|
| | S 1 3/8" Z6 | S 1 3/8" Z21 | S 1 3/4" Z6 | S 1 3/4" Z20 | 1 3/8" Z6 | 1 3/8" Z21 | 1 3/4" Z6 | 1 3/4" Z20 |
| S8 | 170 | 170 | 170 | 170 | 608L86501R | 608L86502R | 608L86503R | 608L86504R |
| H8 | 170 | 170 | 170 | 170 | 608L86501R | 608L86502R | 608L86503R | 608L86504R |
| S9 | 170 | 170 | 170 | 170 | 608M86501R | 608M86502R | 608M86503R | 608M86504R |

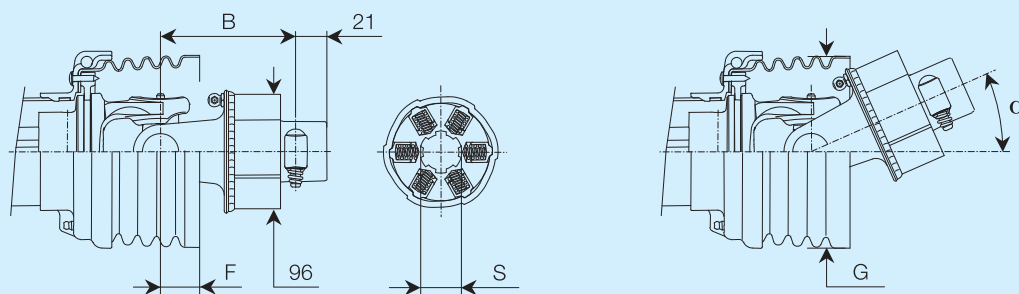
Taper pin



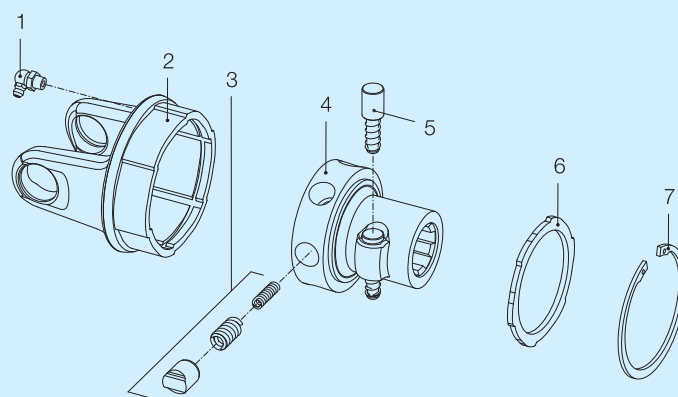
| 1 3/8" Z6 | 1 3/8" Z21 | 1 3/4" Z6 | 1 3/4" Z20 |
|--------------|--------------|--------------|--------------|
| 408000047R02 | 408000047R02 | 408000046R02 | 408000046R02 |

SA1

One-way



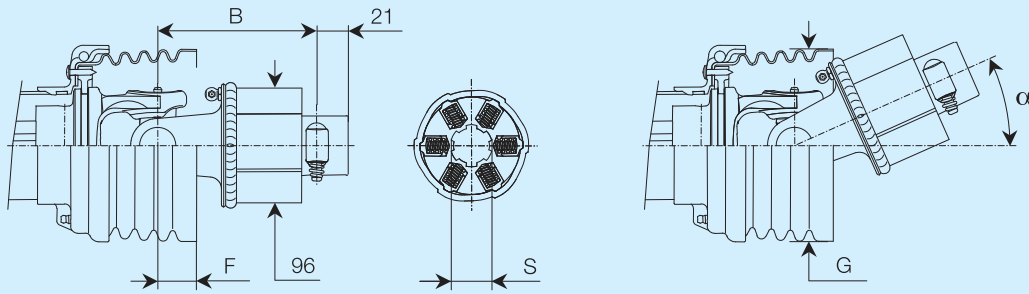
| Size | Torque Nm | B (mm) | | | | F mm | G mm | α ° | Spare parts code | | | |
|------|--------------|----------------|-----------------|----------------|-----------------|---------|---------|---------------|------------------|------------|-----------|------------|
| | | S 1 3/8" Z6 | S 1 3/8" Z21 | S 1 3/4" Z6 | S 1 3/4" Z20 | | | | 1 3/8" Z6 | 1 3/8" Z21 | 1 3/4" Z6 | 1 3/4" Z20 |
| S1 | 400 | 94 | --- | --- | --- | 23 | 129 | 21° | 610124001R | --- | --- | --- |



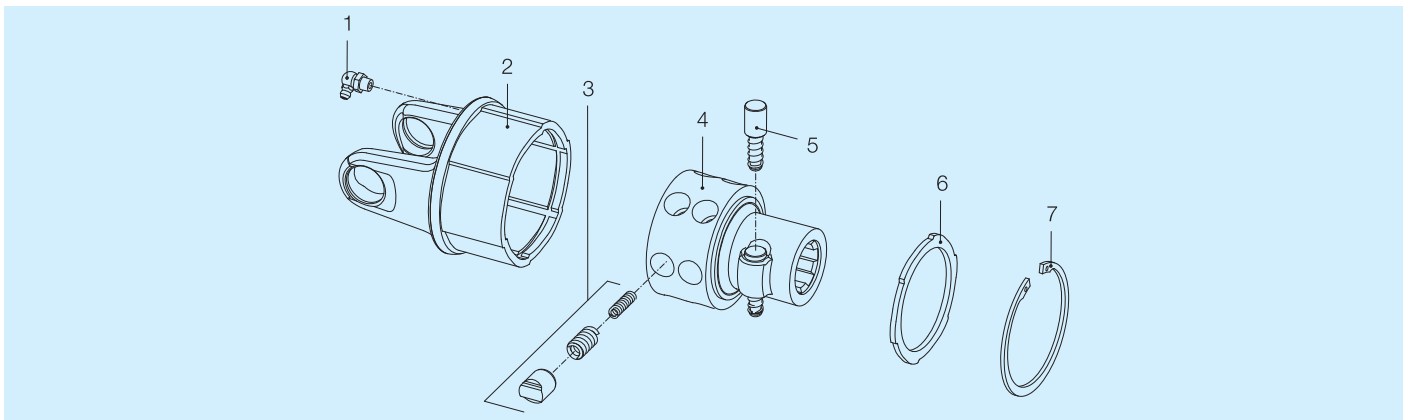
| Ref. | Size | Spare parts code | Description | Technical data |
|------|------|------------------|----------------------|--------------------|
| 1 | | 348014000R20 | Grease fitting | |
| 2 | S1 | 422011020R | Outer housing + yoke | |
| 3 | | 421340001R06 | Ratchet + spring kit | |
| 4 | | 513340302R | Hub with push-pin | 1 3/8" Z6 |
| 5 | | 403000001R10 | Push-pin kit | |
| 6 | | 240000033R02 | Locking plate | |
| 7 | | 338005000R20 | Snap ring | 82 x 2.5 DIN 472/1 |

For primary drivelines, always install any torque limiter or overrunning clutch on the implement side. All rotating parts must be guarded. Ratchet torque limiters should be used only on drivelines operating at speeds less than 700 min⁻¹.

SA2 One-way



| Size | Torque Nm | B (mm) | | | | F mm | G mm | α ° | Spare parts code | | | |
|------|--------------|----------------|-----------------|----------------|-----------------|---------|---------|---------------|------------------|------------|-----------|------------|
| | | S 1 3/8" Z6 | S 1 3/8" Z21 | S 1 3/4" Z6 | S 1 3/4" Z20 | | | | 1 3/8" Z6 | 1 3/8" Z21 | 1 3/4" Z6 | 1 3/4" Z20 |
| S1 | 650 | 114 | --- | --- | --- | 23 | 129 | 21° | 610234001R | --- | --- | --- |
| S2 | 650 | 120 | --- | --- | --- | 42 | 146 | 19° | 611234005R | --- | --- | --- |
| | 611239001R | | | | | | | | --- | --- | --- | |

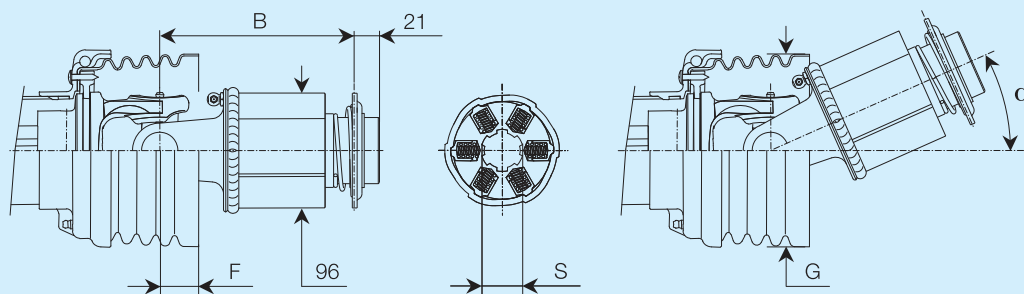


| Ref. | Size | Spare parts code | Description | Technical data |
|------|------|------------------|----------------------|--------------------|
| 1 | | 348014000R20 | Grease fitting | |
| 2 | S1 | 422012020R | Outer housing + yoke | |
| | S2 | 422022020R | | |
| 3 | | 421340001R06 | Ratchet + spring kit | |
| 4 | | 513350302R | Hub with push-pin | 1 3/8" Z6 |
| 5 | | 403000001R10 | Push-pin kit | |
| 6 | | 240000033R02 | Locking plate | |
| 7 | | 338005000R20 | Snap ring | 82 x 2.5 DIN 472/1 |

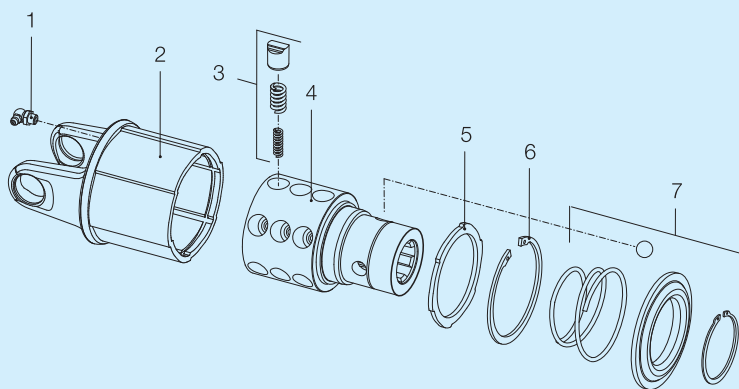
For primary drivelines, always install any torque limiter or overrunning clutch on the implement side. All rotating parts must be guarded. Ratchet torque limiters should be used only on drivelines operating at speeds less than 700 min⁻¹.

SA3

One-way



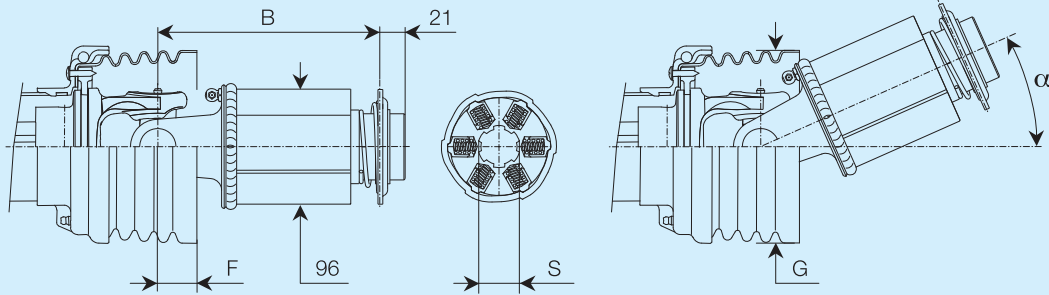
| Size | Torque Nm | B (mm) | | | | F mm | G mm | α ° | Spare parts code | | | |
|------|--------------|----------------|-----------------|----------------|-----------------|---------|---------|---------------|------------------|------------|-----------|------------|
| | | S 1 3/8" Z6 | S 1 3/8" Z21 | S 1 3/4" Z6 | S 1 3/4" Z20 | | | | 1 3/8" Z6 | 1 3/8" Z21 | 1 3/4" Z6 | 1 3/4" Z20 |
| S2 | 900 | 149 | --- | --- | --- | 42 | 146 | 19° | 611341501R | --- | --- | --- |
| | 1000 | | | | | | | | 611344501R | --- | --- | --- |
| | 1200 | | | | | | | | 611348501R | --- | --- | --- |
| S4 | 1000 | 158 | --- | --- | --- | 37 | 146 | 25° | 613344501R | --- | --- | --- |
| | 1200 | | | | | | | | 613348501R | --- | --- | --- |
| S5 | 1200 | 161 | --- | --- | --- | 33 | 146 | 24° | 614348501R | --- | --- | --- |
| S6 | 1200 | 161 | --- | --- | --- | 32 | 160 | 33° | 614348501R | --- | --- | --- |



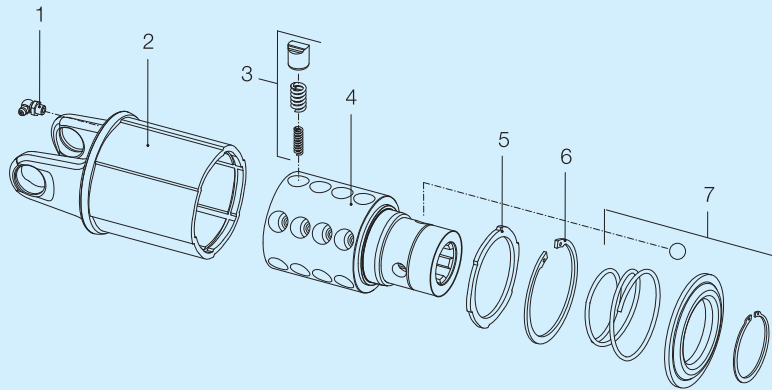
| Ref. | Size | Spare parts code | Description | Technical data |
|------|------|------------------|----------------------|----------------------|
| 1 | | 348014000R20 | Grease fitting | |
| 2 | S2 | 422023020R | Outer housing + yoke | |
| | S4 | 422043020R | | |
| | S5 | 422053020R | | |
| | S6 | 422053020R | | |
| | 3 | | 421340001R06 | Ratchet + spring kit |
| 4 | | 2270Q0303R | Hub | 1 3/8" Z6 |
| 5 | | 240000033R02 | Locking plate | |
| 6 | | 338005000R20 | Snap ring | 82 x 2.5 DIN 472/1 |
| 7 | | 435000321R | Ball collar kit | |

For primary drivelines, always install any torque limiter or overrunning clutch on the implement side. All rotating parts must be guarded. Ratchet torque limiters should be used only on drivelines operating at speeds less than 700 min⁻¹.

SA4
One-way



| Size | Torque Nm | B (mm) | | | | F mm | G mm | α ° | Spare parts code | | | |
|------|--------------|----------------|-----------------|----------------|-----------------|---------|---------|---------------|------------------|------------|-----------|------------|
| | | S 1 3/8" Z6 | S 1 3/8" Z21 | S 1 3/4" Z6 | S 1 3/4" Z20 | | | | 1 3/8" Z6 | 1 3/8" Z21 | 1 3/4" Z6 | 1 3/4" Z20 |
| S4 | 1400 | 178 | --- | --- | --- | 37 | 146 | 25° | 613452501R | --- | --- | --- |
| | 1600 | | | | | | | | 613456501R | --- | --- | --- |
| S5 | 1400 | 181 | --- | --- | --- | 33 | 146 | 24° | 614452501R | --- | --- | --- |
| | 1600 | | | | | | | | 614456501R | --- | --- | --- |
| S6 | 1400 | 181 | --- | --- | --- | 32 | 160 | 33° | 614452501R | --- | --- | --- |
| | 1600 | | | | | | | | 614456501R | --- | --- | --- |

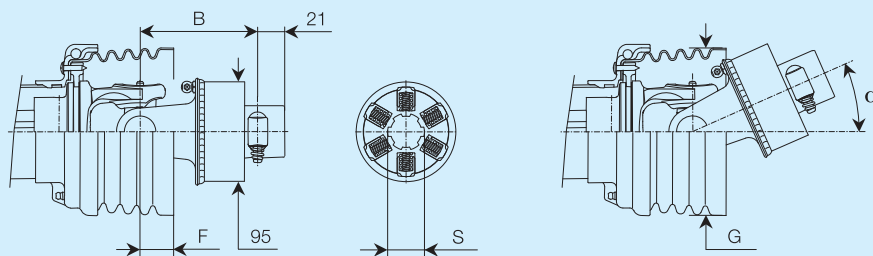


| Ref. | Size | Spare parts code | Description | Technical data |
|------|------|------------------|----------------------|--------------------|
| 1 | | 348014000R20 | Grease fitting | |
| 2 | S4 | 422044020R | Outer housing + yoke | |
| | S5 | 422054020R | | |
| | S6 | 422054020R | | |
| 3 | | 421340001R06 | Ratchet + spring kit | |
| 4 | | 2270R0302R | Hub | 1 3/8" Z6 |
| 5 | | 240000033R02 | Locking plate | |
| 6 | | 338005000R20 | Snap ring | 82 x 2.5 DIN 472/1 |
| 7 | | 435000321R | Ball collar kit | |

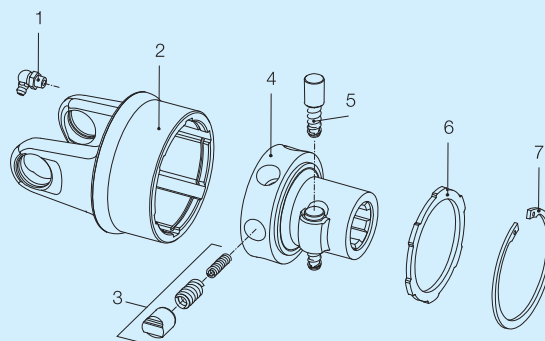
For primary drivelines, always install any torque limiter or overrunning clutch on the implement side. All rotating parts must be guarded. Ratchet torque limiters should be used only on drivelines operating at speeds less than 700 min⁻¹.

LN1

Symmetrical



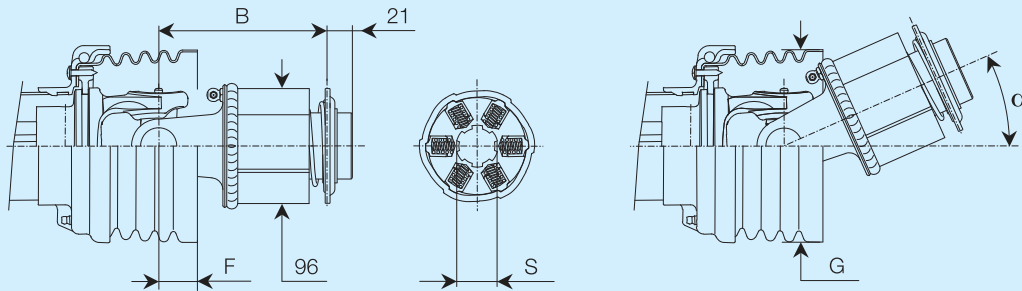
| Size | Torque Nm | B (mm) | | | | F mm | G mm | α ° | Spare parts code | | | |
|-----------|--------------|----------------|-----------------|----------------|-----------------|---------|---------|---------------|------------------|------------|-----------|------------|
| | | S 1 3/8" Z6 | S 1 3/8" Z21 | S 1 3/4" Z6 | S 1 3/4" Z20 | | | | 1 3/8" Z6 | 1 3/8" Z21 | 1 3/4" Z6 | 1 3/4" Z20 |
| S1 | 300 | 94 | --- | --- | --- | 23 | 129 | 21° | 60A1B1903R | --- | --- | --- |



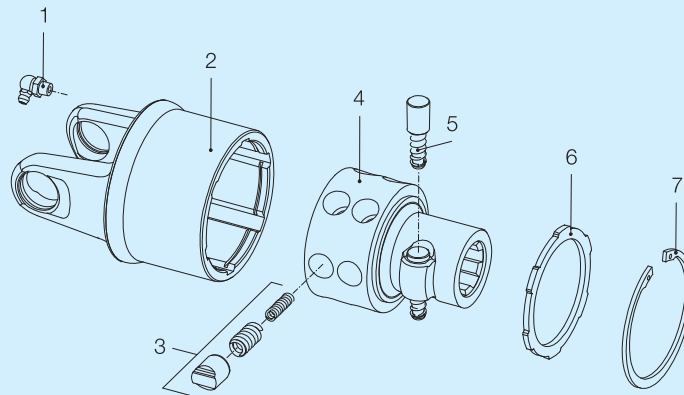
| Ref. | Size | Spare parts code | Description | Technical data |
|------|-----------|------------------|----------------------|--------------------|
| 1 | | 348014000R20 | Grease fitting | |
| 2 | S1 | 422B0S301R | Outer housing + yoke | |
| 3 | | 421340007R06 | Ratchet + spring kit | |
| 4 | | 513340302R | Hub with push-pin | 1 3/8" Z6 |
| 5 | | 403000001R10 | Push-pin kit | |
| 6 | | 240000294R02 | Locking plate | |
| 7 | | 338005000R20 | Snap ring | 82 x 2.5 DIN 472/1 |

For primary drivelines, always install any torque limiter or overrunning clutch on the implement side. All rotating parts must be guarded. Ratchet torque limiters should be used only on drivelines operating at speeds less than 700 min⁻¹.

LN2 Symmetrical



| Size | Torque Nm | B (mm) | | | | F mm | G mm | α ° | Spare parts code | | | |
|------|--------------|----------------|-----------------|----------------|-----------------|---------|---------|---------------|------------------|------------|-----------|------------|
| | | S 1 3/8" Z6 | S 1 3/8" Z21 | S 1 3/4" Z6 | S 1 3/4" Z20 | | | | 1 3/8" Z6 | 1 3/8" Z21 | 1 3/4" Z6 | 1 3/4" Z20 |
| S1 | 460 | 114 | --- | --- | --- | 23 | 129 | 21° | 60A2B2603R | --- | --- | --- |
| | 600 | | | | | | | | 60A2B3203R | --- | --- | --- |
| S2 | 600 | 120 | --- | --- | --- | 42 | 146 | 19° | 60A2C3203R | --- | --- | --- |

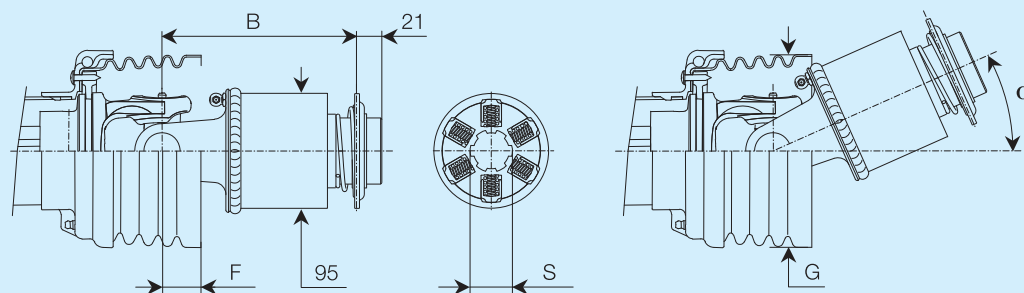


| Ref. | Size | Spare parts code | Description | Technical data |
|------|------|------------------|----------------------|--------------------|
| 1 | | 348014000R20 | Grease fitting | |
| 2 | S1 | 422B0T301R | Outer housing + yoke | |
| | S2 | 422C0T301R | | |
| 3 | | 421340007R06 | Ratchet + spring kit | |
| 4 | | 513350302R | Hub with push-pin | 1 3/8" Z6 |
| 5 | | 403000001R10 | Push-pin kit | |
| 6 | | 240000294R02 | Locking plate | |
| 7 | | 338005000R20 | Snap ring | 82 x 2.5 DIN 472/1 |

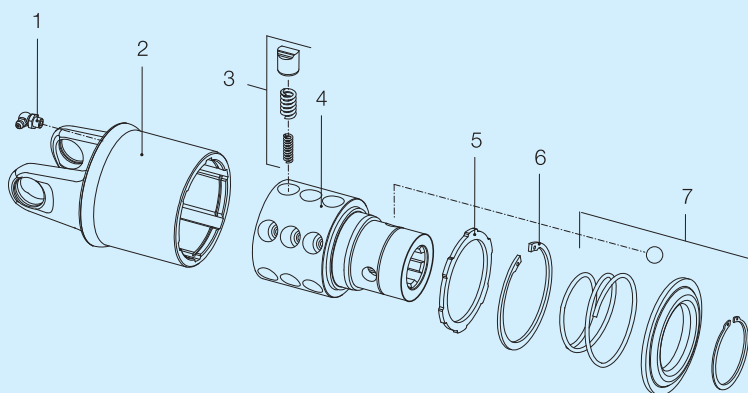
For primary drivelines, always install any torque limiter or overrunning clutch on the implement side. All rotating parts must be guarded. Ratchet torque limiters should be used only on drivelines operating at speeds less than 700 min⁻¹.

LN3

Symmetrical



| Size | Torque Nm | B (mm) | | | | F mm | G mm | α ° | Spare parts code | | | |
|------|--------------|----------------|-----------------|----------------|-----------------|---------|---------|---------------|------------------|------------|-----------|------------|
| | | S 1 3/8" Z6 | S 1 3/8" Z21 | S 1 3/4" Z6 | S 1 3/4" Z20 | | | | 1 3/8" Z6 | 1 3/8" Z21 | 1 3/4" Z6 | 1 3/4" Z20 |
| S2 | 800 | 149 | --- | --- | --- | 42 | 146 | 19° | 60B3C3903R | --- | --- | --- |
| | 900 | | | | | | | | 60B3C4103R | --- | --- | --- |

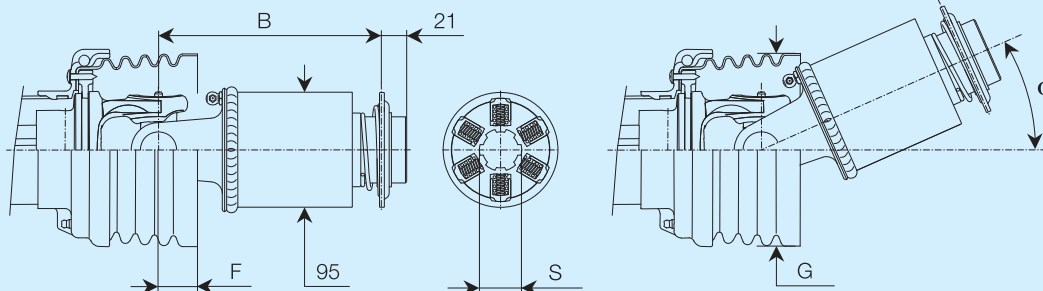


| Ref. | Size | Spare parts code | Description | Technical data |
|------|------|------------------|----------------------|--------------------|
| 1 | | 348014000R20 | Grease fitting | |
| 2 | S2 | 422C0U301R | Outer housing + yoke | |
| 3 | | 421340007R06 | Ratchet + spring kit | |
| 4 | | 2270Q0303R | Hub with push-pin | 1 3/8" Z6 |
| 5 | | 240000294R02 | Push-pin kit | |
| 6 | | 338005000R20 | Locking plate | 82 x 2.5 DIN 472/1 |
| 7 | | 435000321R | Snap ring | |

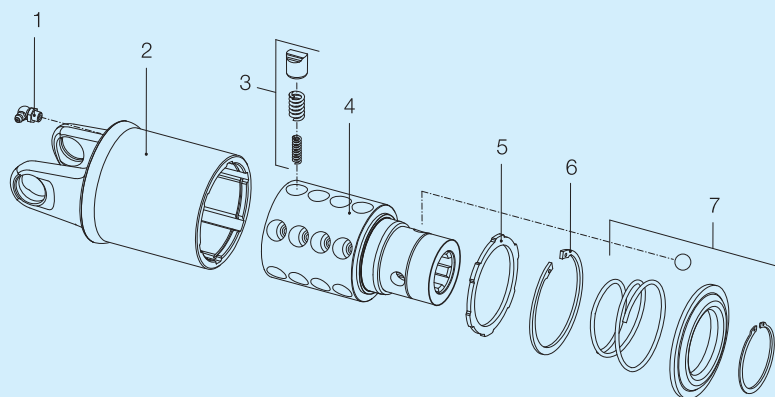
For primary drivelines, always install any torque limiter or overrunning clutch on the implement side. All rotating parts must be guarded. Ratchet torque limiters should be used only on drivelines operating at speeds less than 700 min⁻¹.

LN4

Symmetrical



| Size | Torque Nm | B (mm) | | | | F mm | G mm | α ° | Spare parts code | | | |
|------|--------------|----------------|-----------------|----------------|-----------------|---------|---------|---------------|------------------|------------|-----------|------------|
| | | S 1 3/8" Z6 | S 1 3/8" Z21 | S 1 3/4" Z6 | S 1 3/4" Z20 | | | | 1 3/8" Z6 | 1 3/8" Z21 | 1 3/4" Z6 | 1 3/4" Z20 |
| S2 | 1000 | 169 | --- | --- | --- | 42 | 146 | 19° | 60B4C4403R | --- | --- | --- |
| | 1200 | | | | | | | | 60B4C4803R | --- | --- | --- |
| S4 | 1000 | 178 | --- | --- | --- | 37 | 146 | 25° | 60B4E4403R | --- | --- | --- |
| | 1200 | | | | | | | | 60B4E4803R | --- | --- | --- |
| S5 | 1200 | 181 | --- | --- | --- | 33 | 146 | 24° | 60B4G4803R | --- | --- | --- |
| S6 | 1200 | 181 | --- | --- | --- | 32 | 160 | 33° | 60B4G4803R | --- | --- | --- |

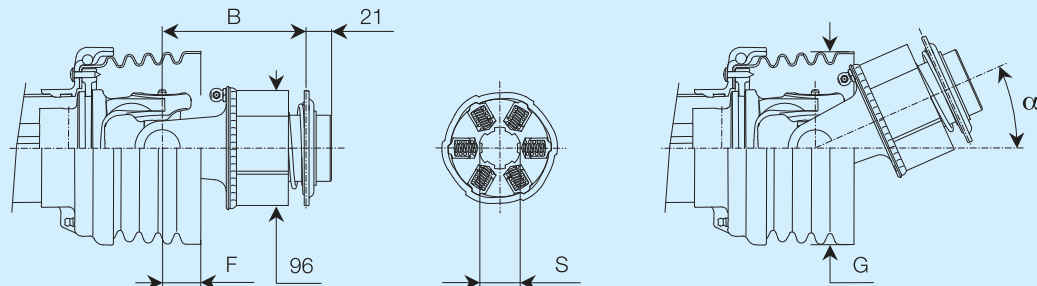


| Ref. | Size | Spare parts code | Description | Technical data |
|------|------|------------------|----------------------|--------------------|
| 1 | | 348014000R20 | Grease fitting | |
| 2 | S2 | 422C0V301R | Outer housing + yoke | |
| | S4 | 422E0V301R | | |
| | S5 | 422G0V301R | | |
| | S6 | 422G0V301R | | |
| 3 | | 421340007R06 | Ratchet + spring kit | |
| 4 | | 2270R0302R | Hub | 1 3/8" Z6 |
| 5 | | 240000294R02 | Locking plate | |
| 6 | | 338005000R20 | Snap ring | 82 x 2.5 DIN 472/1 |
| 7 | | 435000321R | Ball collar kit | |

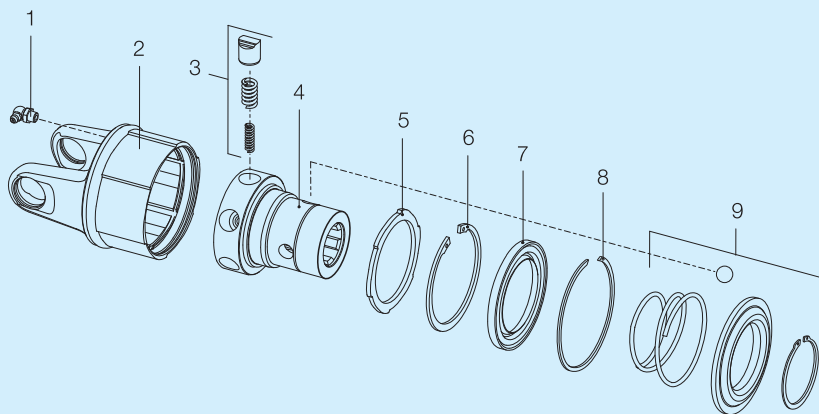
For primary drivelines, always install any torque limiter or overrunning clutch on the implement side. All rotating parts must be guarded. Ratchet torque limiters should be used only on drivelines operating at speeds less than 700 min⁻¹.

LC1

One-way, seasonal lubrication



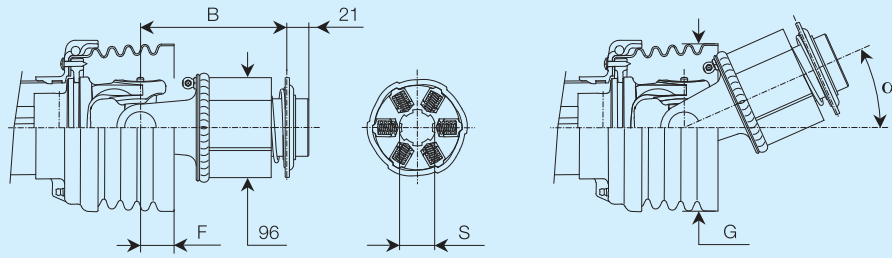
| Size | Torque Nm | B (mm) | | | | F mm | G mm | α ° | Spare parts code | | | |
|------|--------------|----------------|-----------------|----------------|-----------------|---------|---------|---------------|------------------|------------|-----------|------------|
| | | S 1 3/8" Z6 | S 1 3/8" Z21 | S 1 3/4" Z6 | S 1 3/4" Z20 | | | | 1 3/8" Z6 | 1 3/8" Z21 | 1 3/4" Z6 | 1 3/4" Z20 |
| S1 | 400 | 103 | --- | --- | --- | 23 | 129 | 21° | 60D1B2403R | --- | --- | --- |



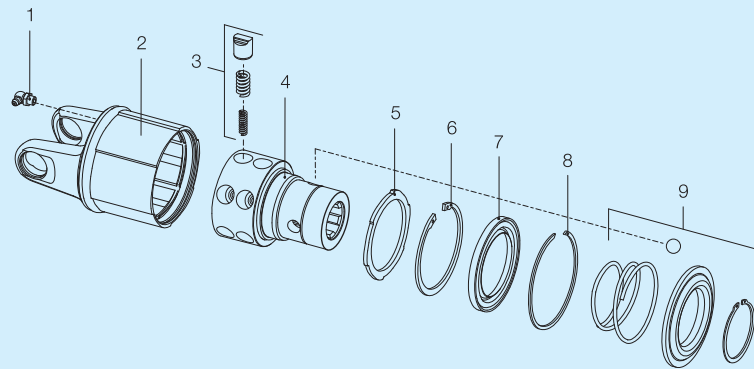
| Ref. | Size | Spare parts code | Description | Technical data |
|------|------|------------------|----------------------|--------------------|
| 1 | | 348014000R20 | Grease fitting | |
| 2 | S1 | 422B0N105R | Outer housing + yoke | |
| 3 | | 421340001R06 | Ratchet + spring kit | |
| 4 | | 2270N0302R | Hub | 1 3/8" Z6 |
| 5 | | 240000033R02 | Locking plate | |
| 6 | | 338005000R20 | Snap ring | 82 x 2.5 DIN 472/1 |
| 7 | | 359005901R02 | Retaining ring | |
| 8 | | 339000088R20 | Snap ring | |
| 9 | | 435000321R | Ball collar kit | |

For primary drivelines, always install any torque limiter or overrunning clutch on the implement side. All rotating parts must be guarded. Ratchet torque limiters should be used only on drivelines operating at speeds less than 700 min⁻¹.

One-way, seasonal lubrication



| Size | Torque Nm | B (mm) | | | | F mm | G mm | α ° | Spare parts code | | | |
|------|--------------|----------------|-----------------|----------------|-----------------|---------|---------|---------------|------------------|------------|-----------|------------|
| | | S 1 3/8" Z6 | S 1 3/8" Z21 | S 1 3/4" Z6 | S 1 3/4" Z20 | | | | 1 3/8" Z6 | 1 3/8" Z21 | 1 3/4" Z6 | 1 3/4" Z20 |
| S1 | 650 | 123 | --- | --- | --- | 23 | 129 | 21° | 60D2B3403R | --- | --- | --- |
| | 800 | 129 | --- | --- | --- | 42 | 146 | 19° | 60D2C3403R | --- | --- | --- |
| S2 | 650 | --- | --- | --- | --- | --- | --- | --- | 60D2C3903R | --- | --- | --- |
| | 800 | --- | --- | --- | --- | --- | --- | --- | --- | --- | --- | --- |



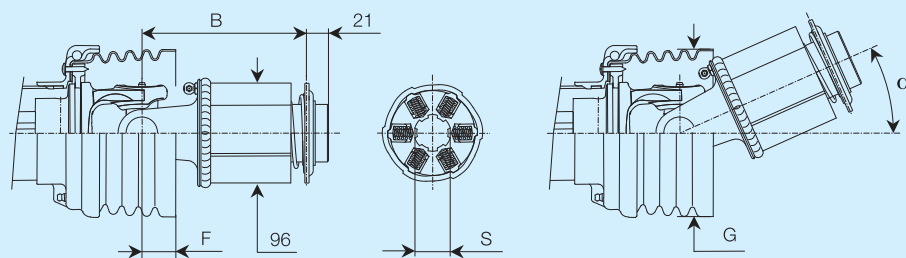
| Ref. | Size | Spare parts code | Description | Technical data |
|------|------|------------------|----------------------|--------------------|
| 1 | | 348014000R20 | Grease fitting | |
| 2 | S1 | 422B0P105R | Outer housing + yoke | |
| | S2 | 422C0P105R | | |
| 3 | | 421340001R06 | Ratchet + spring kit | |
| 4 | | 2270P0303R | Hub | 1 3/8" Z6 |
| 5 | | 240000033R02 | Locking plate | |
| 6 | | 338005000R20 | Snap ring | 82 x 2.5 DIN 472/1 |
| 7 | | 359005901R02 | Retaining ring | |
| 8 | | 339000088R20 | Snap ring | |
| 9 | | 435000321R | Ball collar kit | |



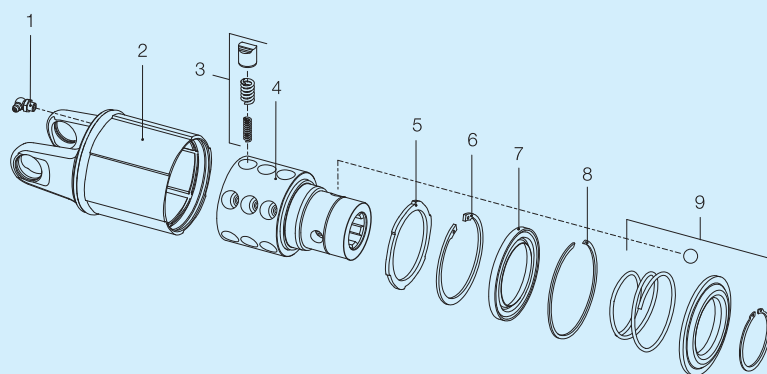
For primary drivelines, always install any torque limiter or overrunning clutch on the implement side. All rotating parts must be guarded. Ratchet torque limiters should be used only on drivelines operating at speeds less than 700 min⁻¹.

LC3

One-way, seasonal lubrication



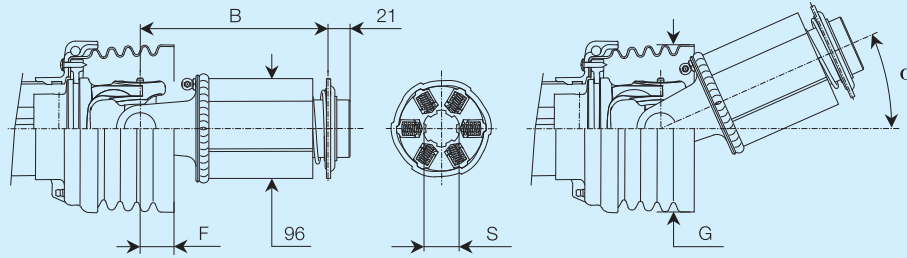
| Size | Torque Nm | B (mm) | | | | F mm | G mm | α ° | Spare parts code | | | |
|------|--------------|----------------|-----------------|----------------|-----------------|---------|---------|---------------|------------------|------------|-----------|------------|
| | | S 1 3/8" Z6 | S 1 3/8" Z21 | S 1 3/4" Z6 | S 1 3/4" Z20 | | | | 1 3/8" Z6 | 1 3/8" Z21 | 1 3/4" Z6 | 1 3/4" Z20 |
| S2 | 900 | 149 | --- | --- | --- | 42 | 146 | 19° | 60D3C4103R | --- | --- | --- |
| | 1000 | | | | | | | | 60D3C4403R | --- | --- | --- |
| | 1200 | | | | | | | | 60D3C4803R | --- | --- | --- |
| S4 | 1000 | 158 | --- | --- | --- | 37 | 146 | 25° | 60D3E4403R | --- | --- | --- |
| | 1200 | | | | | | | | 60D3E4803R | --- | --- | --- |
| S5 | 1200 | 161 | --- | --- | --- | 33 | 146 | 24° | 60D3G4803R | --- | --- | --- |
| S6 | 1200 | 161 | --- | --- | --- | 32 | 160 | 33° | 60D3G4803R | --- | --- | --- |



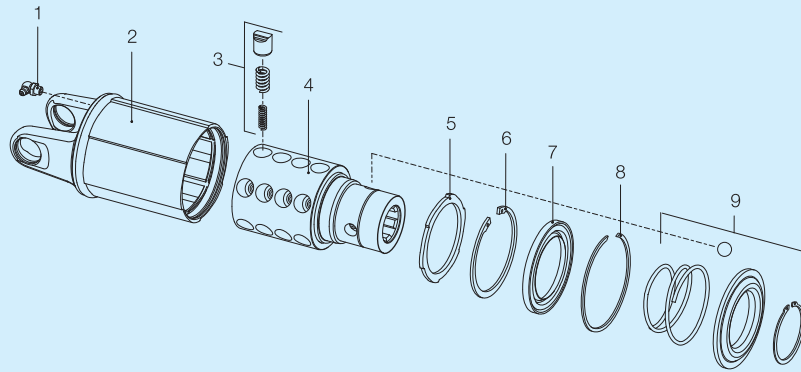
| Ref. | Size | Spare parts code | Description | Technical data |
|------|------|------------------|----------------------|--------------------|
| 1 | | 348014000R20 | Grease fitting | |
| 2 | S2 | 422C0Q105R | Outer housing + yoke | |
| | S4 | 422E0Q105R | | |
| | S5 | 422G0Q105R | | |
| | S6 | 422G0Q105R | | |
| 3 | | 421340001R06 | Ratchet + spring kit | |
| 4 | | 2270Q0303R | Hub | 1 3/8" Z6 |
| 5 | | 240000033R02 | Locking plate | |
| 6 | | 338005000R20 | Snap ring | 82 x 2.5 DIN 472/1 |
| 7 | | 359005901R02 | Retaining ring | |
| 8 | | 339000088R20 | Snap ring | |
| 9 | | 435000321R | Ball collar kit | |

LC4

One-way, seasonal lubrication



| Size | Torque Nm | B (mm) | | | | F mm | G mm | α ° | Spare parts code | | | |
|------|--------------|----------------|-----------------|----------------|-----------------|---------|---------|---------------|------------------|------------|-----------|------------|
| | | S 1 3/8" Z6 | S 1 3/8" Z21 | S 1 3/4" Z6 | S 1 3/4" Z20 | | | | 1 3/8" Z6 | 1 3/8" Z21 | 1 3/4" Z6 | 1 3/4" Z20 |
| S4 | 1400 | 178 | --- | --- | --- | 37 | 146 | 25° | 60D4E5203R | --- | --- | --- |
| | 1600 | | | | | | | | 60D4E5603R | --- | --- | --- |
| S5 | 1400 | 181 | --- | --- | --- | 33 | 146 | 24° | 60D4G5203R | --- | --- | --- |
| | 1600 | | | | | | | | 60D4G5603R | --- | --- | --- |
| S6 | 1400 | 181 | --- | --- | --- | 32 | 160 | 33° | 60D4G5203R | --- | --- | --- |
| | 1600 | | | | | | | | 60D4G5603R | --- | --- | --- |



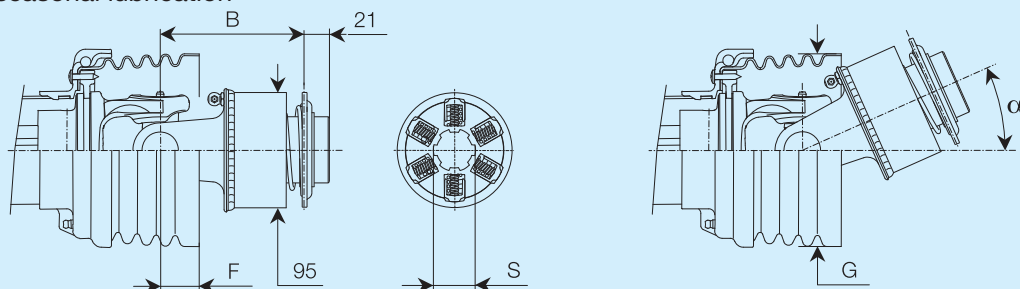
| Ref. | Size | Spare parts code | Description | Technical data |
|------|------|------------------|----------------------|--------------------|
| 1 | | 348014000R20 | Grease fitting | |
| 2 | S4 | 422E0R105R | Outer housing + yoke | |
| | S5 | 422G0R105R | | |
| | S6 | 422G0R105R | | |
| 3 | | 421340001R06 | Ratchet + spring kit | |
| 4 | | 2270R0302R | Hub | 1 3/8" Z6 |
| 5 | | 240000033R02 | Locking plate | |
| 6 | | 338005000R20 | Snap ring | 82 x 2.5 DIN 472/1 |
| 7 | | 359005901R02 | Retaining ring | |
| 8 | | 339000088R20 | Snap ring | |
| 9 | | 435000321R | Ball collar ring | |



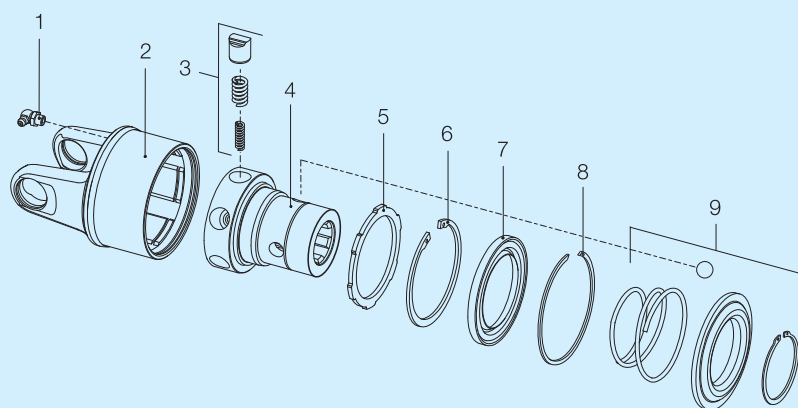
For primary drivelines, always install any torque limiter or overrunning clutch on the implement side. All rotating parts must be guarded. Ratchet torque limiters should be used only on drivelines operating at speeds less than 700 min⁻¹.

LT1

Symmetrical, seasonal lubrication



| Size | Torque Nm | B (mm) | | | | F mm | G mm | α ° | Spare parts code | | | |
|------|--------------|----------------|-----------------|----------------|-----------------|---------|---------|---------------|------------------|------------|-----------|------------|
| | | S 1 3/8" Z6 | S 1 3/8" Z21 | S 1 3/4" Z6 | S 1 3/4" Z20 | | | | 1 3/8" Z6 | 1 3/8" Z21 | 1 3/4" Z6 | 1 3/4" Z20 |
| S1 | 300 | 103 | --- | --- | --- | 23 | 129 | 21° | 60F1B1903R | --- | --- | --- |

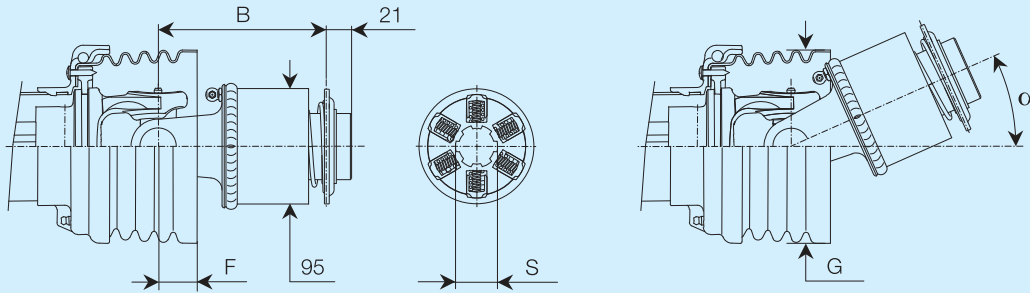


| Ref. | Size | Spare parts code | Description | Technical data |
|------|------|------------------|----------------------|--------------------|
| 1 | | 348014000R20 | Grease fitting | |
| 2 | S1 | 422B0Z305R | Outer housing + yoke | |
| 3 | | 421340007R06 | Ratchet + spring kit | |
| 4 | | 2270N0302R | Hub | 1 3/8" Z6 |
| 5 | | 240000294R02 | Locking plate | |
| 6 | | 338005000R20 | Snap ring | 82 x 2.5 DIN 472/1 |
| 7 | | 359005901R02 | Retaining ring | |
| 8 | | 339000088R20 | Snap ring | |
| 9 | | 435000321R | Ball collar kit | |

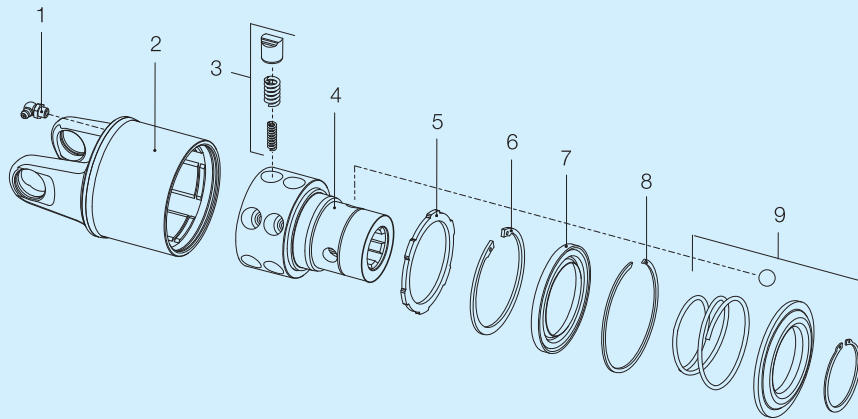
For primary drivelines, always install any torque limiter or overrunning clutch on the implement side. All rotating parts must be guarded. Ratchet torque limiters should be used only on drivelines operating at speeds less than 700 min⁻¹.

LT2

Symmetrical, seasonal lubrication



| Size | Torque Nm | B (mm) | | | | F mm | G mm | α ° | Spare parts code | | | |
|------|--------------|----------------|-----------------|----------------|-----------------|---------|---------|---------------|------------------|------------|-----------|------------|
| | | S 1 3/8" Z6 | S 1 3/8" Z21 | S 1 3/4" Z6 | S 1 3/4" Z20 | | | | 1 3/8" Z6 | 1 3/8" Z21 | 1 3/4" Z6 | 1 3/4" Z20 |
| S1 | 460 | 123 | --- | --- | --- | 23 | 129 | 21° | 60F2B2603R | --- | --- | --- |
| | 600 | | | | | | | | 60F2B3203R | --- | --- | --- |
| S2 | 600 | 129 | --- | --- | --- | 42 | 146 | 19° | 60F2C3203R | --- | --- | --- |

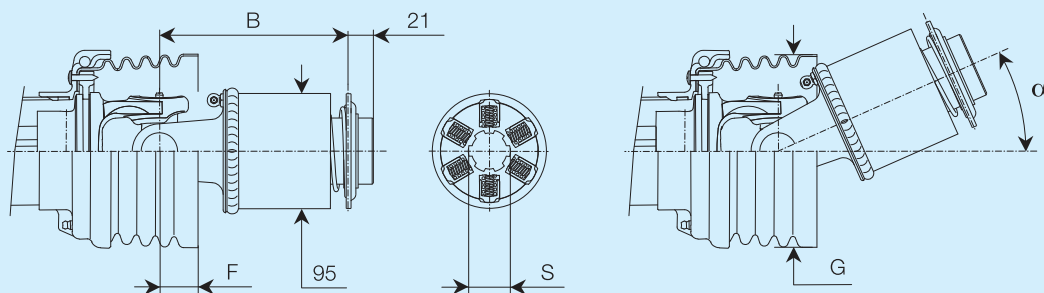


| Ref. | Size | Spare parts code | Description | Technical data |
|------|------|------------------|----------------------|--------------------|
| 1 | | 348014000R20 | Grease fitting | |
| 2 | S1 | 422B0X305R | Outer housing + yoke | |
| | S2 | 422C0X305R | | |
| 3 | | 421340007R06 | Ratchet + spring kit | |
| 4 | | 2270P0303R | Hub | 1 3/8" Z6 |
| 5 | | 240000294R02 | Locking plate | |
| 6 | | 338005000R20 | Snap ring | 82 x 2.5 DIN 472/1 |
| 7 | | 359005901R02 | Retaining ring | |
| 8 | | 339000088R20 | Snap ring | |
| 9 | | 435000321R | Ball collar kit | |

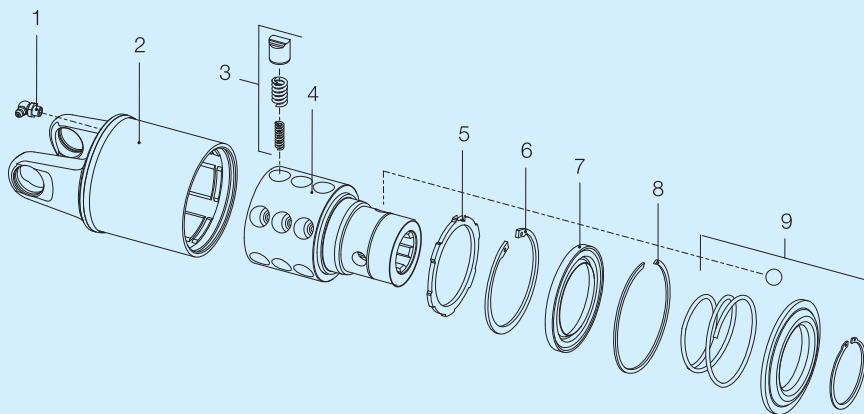
For primary drivelines, always install any torque limiter or overrunning clutch on the implement side. All rotating parts must be guarded. Ratchet torque limiters should be used only on drivelines operating at speeds less than 700 min⁻¹.

LT3

Symmetrical, seasonal lubrication



| Size | Torque Nm | B (mm) | | | | F mm | G mm | α ° | Spare parts code | | | |
|------|--------------|----------------|-----------------|----------------|-----------------|---------|---------|---------------|------------------|------------|-----------|------------|
| | | S 1 3/8" Z6 | S 1 3/8" Z21 | S 1 3/4" Z6 | S 1 3/4" Z20 | | | | 1 3/8" Z6 | 1 3/8" Z21 | 1 3/4" Z6 | 1 3/4" Z20 |
| S2 | 800 | 149 | --- | --- | --- | 42 | 146 | 19° | 60F3C3903R | --- | --- | --- |
| | 900 | | | | | | | | 60F3C4103R | --- | --- | --- |

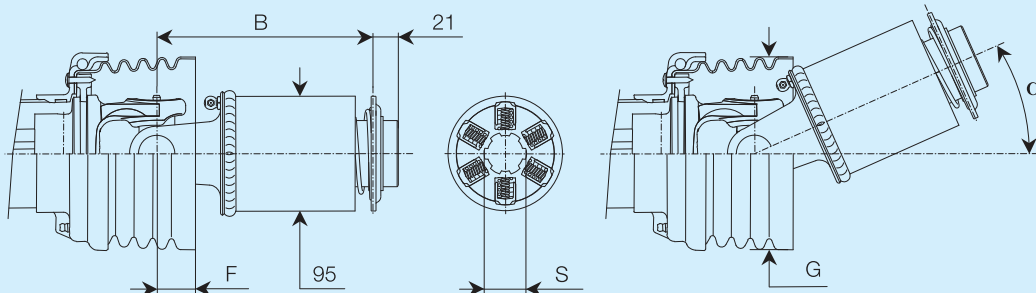


| Ref. | Size | Spare parts code | Description | Technical data |
|------|------|------------------|----------------------|--------------------|
| 1 | | 348014000R20 | Grease fitting | |
| 2 | S2 | 422C0Y305R | Outer housing + yoke | |
| 3 | | 421340007R06 | Ratchet + spring kit | |
| 4 | | 2270Q0303R | Hub | 1 3/8" Z6 |
| 5 | | 240000294R02 | Locking plate | |
| 6 | | 338005000R20 | Snap ring | 82 x 2.5 DIN 472/1 |
| 7 | | 359005901R02 | Retaining ring | |
| 8 | | 339000088R20 | Snap ring | |
| 9 | | 435000321R | Ball collar kit | |

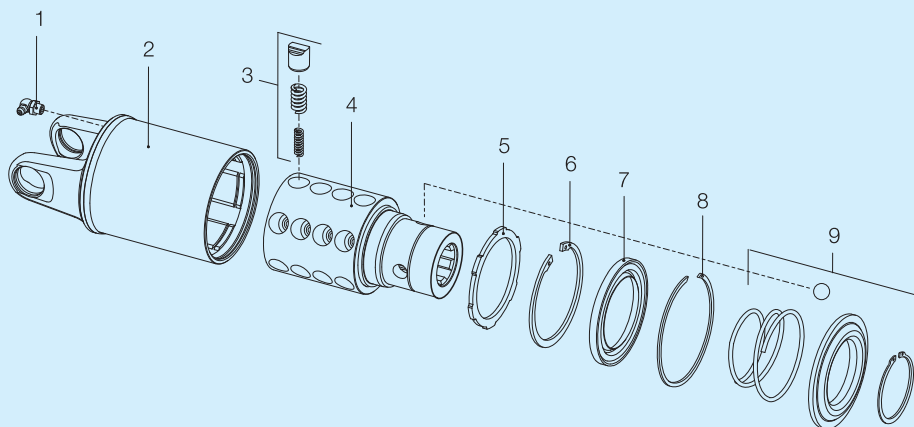
For primary drivelines, always install any torque limiter or overrunning clutch on the implement side. All rotating parts must be guarded. Ratchet torque limiters should be used only on drivelines operating at speeds less than 700 min⁻¹.

LT4

Symmetrical, seasonal lubrication

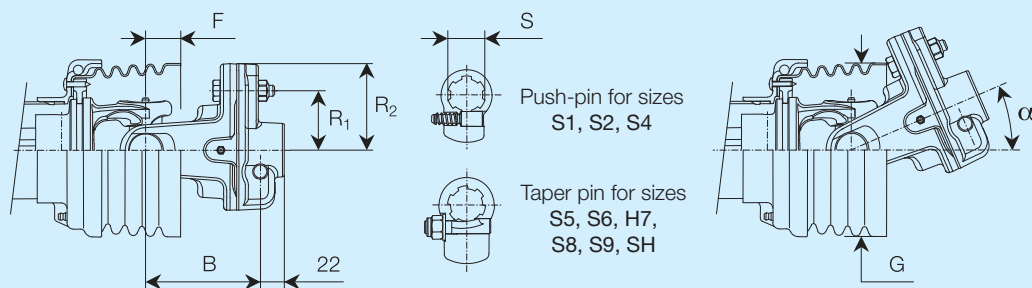


| Size | Torque Nm | B (mm) | | | | F mm | G mm | α ° | Spare parts code | | | |
|------|--------------|----------------|-----------------|----------------|-----------------|---------|---------|---------------|------------------|------------|-----------|------------|
| | | S 1 3/8" Z6 | S 1 3/8" Z21 | S 1 3/4" Z6 | S 1 3/4" Z20 | | | | 1 3/8" Z6 | 1 3/8" Z21 | 1 3/4" Z6 | 1 3/4" Z20 |
| S2 | 1000 | 169 | --- | --- | --- | 42 | 146 | 19° | 60F4C4403R | --- | --- | --- |
| | 1200 | | | | | | | | 60F4C4803R | --- | --- | --- |
| S4 | 1000 | 178 | --- | --- | --- | 37 | 146 | 25° | 60F4E4403R | --- | --- | --- |
| | 1200 | | | | | | | | 60F4E4803R | --- | --- | --- |
| S5 | 1200 | 181 | --- | --- | --- | 33 | 146 | 24° | 60F4G4803R | --- | --- | --- |
| S6 | 1200 | 181 | --- | --- | --- | 32 | 160 | 33° | 60F4G4803R | --- | --- | --- |



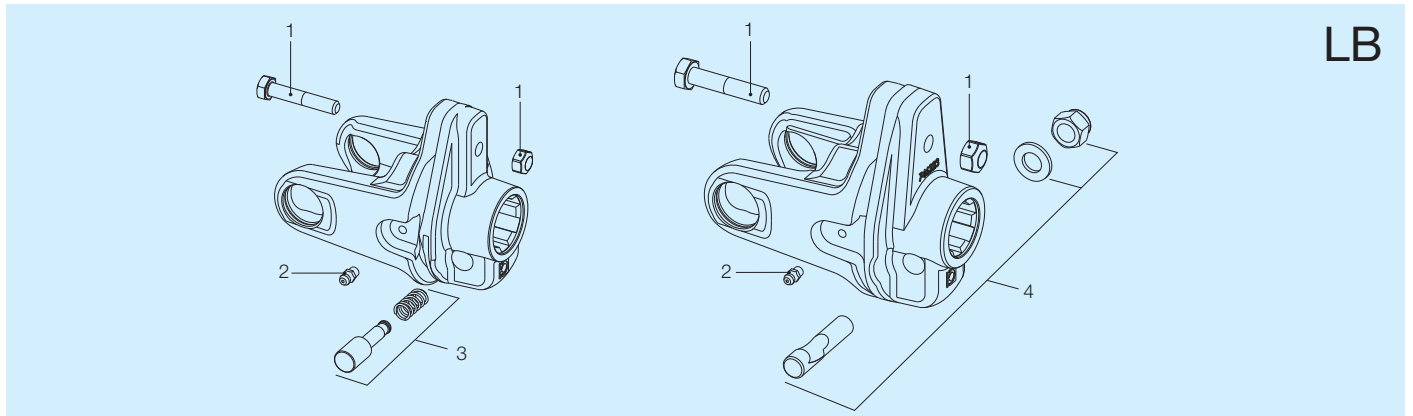
| Ref. | Size | Spare parts code | Description | Technical data |
|------|------|------------------|----------------------|--------------------|
| 1 | | 348014000R20 | Grease fitting | |
| 2 | S2 | 422C0J305R | Outer housing + yoke | |
| | S4 | 422E0J305R | | |
| | S5 | 422G0J305R | | |
| | S6 | 422G0J305R | | |
| 3 | | 421340007R06 | Ratchet + spring kit | |
| 4 | | 2270R0302R | Hub | 1 3/8" Z6 |
| 5 | | 240000294R02 | Locking plate | |
| 6 | | 338005000R20 | Snap ring | 82 x 2.5 DIN 472/1 |
| 7 | | 359005901R02 | Retaining ring | |
| 8 | | 339000088R20 | Snap ring | |
| 9 | | 435000321R | Ball collar kit | |

LB



| Size | Torque Nm | B mm | R ₁ mm | R ₂ mm | F mm | G mm | α ° | Spare parts code | | | | |
|------|--------------|---------|----------------------|----------------------|---------|---------|--------|------------------|------------|------------|------------|--------------|
| | | | | | | | | 1 3/8" Z6 | 1 3/8" Z21 | 1 3/4" Z6 | 1 3/4" Z20 | |
| S1 | 650 | 80 | 37 | 68 | 23 | 129 | 24° | 6060B0304R | 6060B3703R | --- | --- | 432000002R05 |
| | 700 | | 40 | | | | | 6060B0302R | 6060B3702R | --- | --- | 432000002R05 |
| | 780 | | 45 | | | | | 6060B0301R | 6060B3701R | --- | --- | 432000002R05 |
| S2 | 950 * | 87 | 55 | 68 | 42 | 146 | 15° | 6060C0302R | 6060C3702R | --- | --- | 432000002R05 |
| | 1050 | | 60 | | | | | 6060C0308R | 6060C3704R | --- | --- | 432000002R05 |
| | 1250 | | 40 | | | | | 6060C0301R | 6060C3701R | --- | --- | 432000047R05 |
| S4 | 1400 | 93 | 45 | 68 | 37 | 146 | 20° | 6060E0303R | 6060E3704R | --- | --- | 432000047R05 |
| | 1700 * | | 55 | | | | | 6060E0302R | 6060E3702R | --- | --- | 432000047R05 |
| | 2000 | | 43 | | | | | 6060E0309R | 6060E3711R | --- | --- | 432000053R05 |
| S5 | 2100 | 106 | 67 | 80 | 33 | 146 | 24° | 6060G0319R | 6060G3710R | 6060G0408R | 6060G3803R | 432000047R05 |
| | 2400 | | 50 | | | | | 6060G0304R | 6060G3704R | 6060G0404R | 6060G3804R | 432000053R05 |
| S6 | 2400 * | 106 | 50 | 80 | 32 | 160 | 24° | 6060G0304R | 6060G3704R | 6060G0404R | 6060G3804R | 432000053R05 |
| | 2500 | | 52 | | | | | 6060G0320R | 6060G3711R | 6060G0409R | 6060G3809R | 432000053R05 |
| | 2700 | | 55 | | | | | 6060G0301R | 6060G3701R | 6060G0401R | 6060G3801R | 432000053R05 |
| H7 | 2700 | 112 | 55 | 80 | 29 | 160 | 29° | 6060H0302R | 6060H3702R | 6060H0402R | 6060H3802R | 432000053R05 |
| | 3100 | | 65 | | | | | 6060H0301R | 6060H3701R | 6060H0401R | 6060H3801R | 432000053R05 |
| S8 | 2700 | 115 | 55 | 80 | 42 | 160 | 19° | 6060L0303R | 6060L3703R | 6060L0404R | 6060L3807R | 432000053R05 |
| | 3200 | | 66 | | | | | 6060L0305R | 6060L3704R | 6060L0407R | 6060L3808R | 432000053R05 |
| | 3600 | | 52 | | | | | 6060L0306R | 6060L3705R | 6060L0408R | 6060L3809R | 432000124R05 |
| H8 | 2700 | 115 | 55 | 80 | 42 | 160 | 19° | 6060L0303R | 6060L3703R | 6060L0404R | 6060L3807R | 432000053R05 |
| | 3200 | | 66 | | | | | 6060L0305R | 6060L3704R | 6060L0407R | 6060L3808R | 432000053R05 |
| | 3600 | | 52 | | | | | 6060L0306R | 6060L3705R | 6060L0408R | 6060L3809R | 432000124R05 |
| | 4200 | | 60 | | | | | 6060L0308R | 6060L3706R | 6060L0410R | 6060L3810R | 432000124R05 |
| S9 | 3000 | 121 | 62 | 80 | 49 | 180 | 19° | 6060M0306R | 6060M3705R | 6060M0405R | 6060M3811R | 432000053R05 |
| | 3500 | | 50 | | | | | 6060M0307R | 6060M3703R | 6060M0407R | 6060M3809R | 432000030R05 |
| | 4200 | | 60 | | | | | 6060M0301R | 6060M3701R | 6060M0401R | 6060M3801R | 432000030R05 |
| SH | 4000 | 120 | 57 | 80 | 50 | 201 | 17° | 6060N0302R | 6060N3701R | 6060N0402R | 6060N3802R | 432000030R05 |
| | 4500 | | 65 | | | | | 6060N0301R | 6060N3702R | 6060N0403R | 6060N3803R | 432000030R05 |
| | 5200 | | 55 | | | | | 6060N0303R | 6060N3703R | 6060N0401R | 6060N3801R | 432000055R05 |
| S0 | --- | --- | --- | --- | --- | --- | --- | --- | --- | --- | --- | |

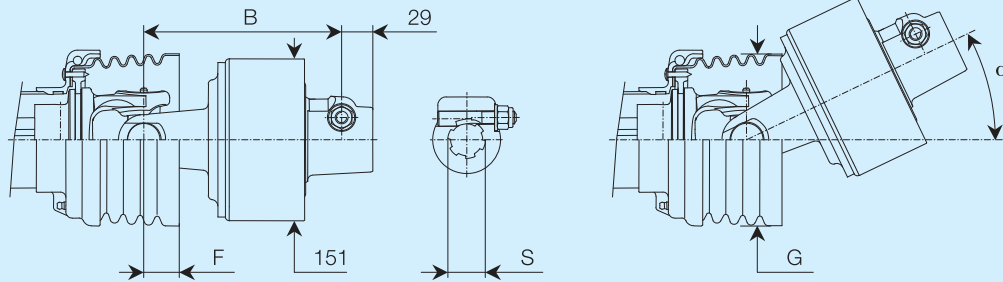
* For S2, S4, and S6 drivelines, that may be equipped with either the Four-Tooth or Free Rotation profile tubes, settings marked with asterisk (*) are the maximum recommended settings for Free Rotation profile tubes. The torque setting must never exceed the maximum torque of the driveline Mmax.



| Ref. | Size | Spare parts code | Description | Technical data |
|------|------|------------------|----------------|-----------------|
| 1 | | 432000002R05 | Bolt | M6x40 Cl. 8.8 |
| | | 432000047R05 | | M8x45 Cl. 8.8 |
| | | 432000053R05 | | M10x50 Cl. 8.8 |
| | | 432000124R05 | | M12x55 Cl. 8.8 |
| | | 432000030R05 | | M12x70 Cl. 8.8 |
| | | 432000055R05 | | M14x70 Cl. 8.8 |
| 2 | | 348017000R20 | Grease fitting | |
| 3 | | 403000001R10 | Push-pin kit | 1 3/8" Z6 - Z21 |
| 4 | | 408000048R02 | Taper pin | 1 3/8" Z6 - Z21 |
| | | 408000052R02 | | 1 3/4" Z6 - Z20 |

For primary drivelines, always install any torque limiter or overrunning clutch on the implement side.
All rotating parts must be guarded.

LR23



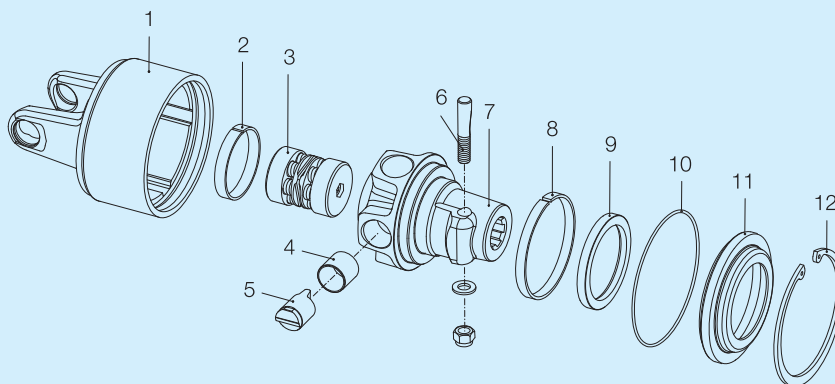
| Size | Torque Nm | B (mm) | | | | F mm | G mm | α ° | Spare parts codes for use at 540 min ⁻¹ | | | |
|------|--------------|----------------|-----------------|----------------|-----------------|---------|---------|---------------|--|------------|------------|------------|
| | | S 1 3/8" Z6 | S 1 3/8" Z21 | S 1 3/4" Z6 | S 1 3/4" Z20 | | | | 1 3/8" Z6 | 1 3/8" Z21 | 1 3/4" Z6 | 1 3/4" Z20 |
| S4 | 1200 | 172 | 172 | 172 | 172 | 37 | 146 | 19° | 6WE148003R | 6WE148037R | 6WE148004R | 6WE148038R |
| | 1500 | | | | | | | | 6WE154003R | 6WE154037R | 6WE154004R | 6WE154038R |
| | 1700 | | | | | | | | 6WE157003R | 6WE157037R | 6WE157004R | 6WE157038R |
| | 1900 | | | | | | | | 6WE159003R | 6WE159037R | 6WE159004R | 6WE159038R |
| | | | | | | | | | 6WE159902R (SX) | --- | --- | --- |
| S5 | 1500 | 177 | 177 | 177 | 177 | 33 | 146 | 21° | 6WG154003R | 6WG154037R | 6WG154004R | 6WG154038R |
| | 1700 | | | | | | | | 6WG157003R | 6WG157037R | 6WG157004R | 6WG157038R |
| | 1900 | | | | | | | | 6WG159003R | 6WG159037R | 6WG159004R | 6WG159038R |
| | 2100 | | | | | | | | 6WG161003R | 6WG161037R | 6WG161004R | 6WG161038R |
| S6 | 1700 | 177 | 177 | 177 | 177 | 32 | 160 | 24° | 6WG157003R | 6WG157037R | 6WG157004R | 6WG157038R |
| | 1900 | | | | | | | | 6WG159003R | 6WG159037R | 6WG159004R | 6WG159038R |
| | 2100 | | | | | | | | 6WG161003R | 6WG161037R | 6WG161004R | 6WG161038R |
| H7 | 2100 | 184 | 184 | 184 | 184 | 29 | 160 | 28° | 6WH161003R | 6WH161037R | 6WH161004R | 6WH161038R |

The codes in columns with heading **(SX)** are for counter-clockwise rotation. All other codes are for clockwise rotation.

| Size | Torque Nm | B (mm) | | | | F mm | G mm | α ° | Spare parts codes for LR23 with improved re-engagement | | | |
|------|--------------|----------------|-----------------|----------------|-----------------|---------|---------|---------------|--|------------|------------|------------|
| | | S 1 3/8" Z6 | S 1 3/8" Z21 | S 1 3/4" Z6 | S 1 3/4" Z20 | | | | 1 3/8" Z6 | 1 3/8" Z21 | 1 3/4" Z6 | 1 3/4" Z20 |
| S4 | 1200 | 172 | 172 | 172 | 172 | 37 | 146 | 19° | 6WEA48003R | 6WEA48037R | 6WEA48004R | 6WEA48038R |
| | 1500 | | | | | | | | 6WEA54003R | 6WEA54037R | 6WEA54004R | 6WEA54038R |
| | 1700 | | | | | | | | 6WEA57003R | 6WEA57037R | 6WEA57004R | 6WEA57038R |
| | 1900 | | | | | | | | 6WEA59003R | 6WEA59037R | 6WEA59004R | 6WEA59038R |
| S5 | 1500 | 177 | 177 | 177 | 177 | 33 | 146 | 21° | 6WGA54003R | 6WGA54037R | 6WGA54004R | 6WGA54038R |
| | 1700 | | | | | | | | 6WGA57003R | 6WGA57037R | 6WGA57004R | 6WGA57038R |
| | 1900 | | | | | | | | 6WGA59003R | 6WGA59037R | 6WGA59004R | 6WGA59038R |
| | 2100 | | | | | | | | 6WGA61003R | 6WGA61037R | 6WGA61004R | 6WGA61038R |
| S6 | 1700 | 177 | 177 | 177 | 177 | 32 | 160 | 24° | 6WGA57003R | 6WGA57037R | 6WGA57004R | 6WGA57038R |
| | 1900 | | | | | | | | 6WGA59003R | 6WGA59037R | 6WGA59004R | 6WGA59038R |
| | 2100 | | | | | | | | 6WGA61003R | 6WGA61037R | 6WGA61004R | 6WGA61038R |
| H7 | 2100 | 184 | 184 | 184 | 184 | 29 | 160 | 28° | 6WHA61003R | 6WHA61037R | 6WHA61004R | 6WHA61038R |

For primary drivelines, always install any torque limiter or overrunning clutch on the implement side. All rotating parts must be guarded.

LR23



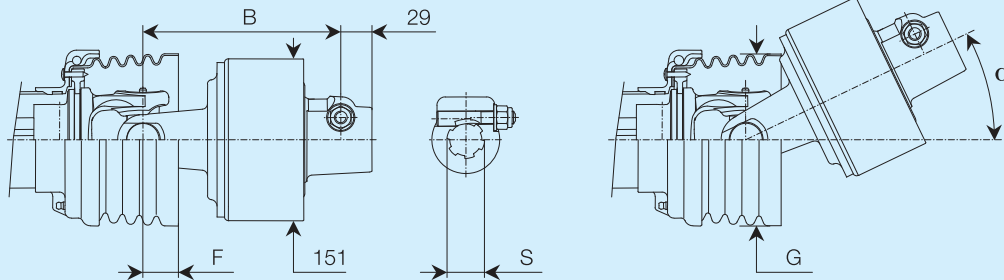
| Ref. | Size | Spare parts codes for use at 540 min ⁻¹ | Codes with improved re-engagement | Description | Technical data |
|------|------|--|-----------------------------------|--------------------------------|-------------------|
| 1 | S4 | 4310E1151R | 4310E1152R | Outer housing + yoke | |
| | S5 | 4310G1151R | 4310G1158R | | |
| | S6 | 4310G1151R | 4310G1158R | | |
| | H7 | 431061151R | 4310H1151R | | |
| 2 | | 240000205R02 | 240000205R02 | Bushing | |
| 3 | | 421154801R | 421154801R | Spring pack* | 1200 Nm |
| | | 421155401R | 421155401R | | 1500 Nm |
| | | 421155701R | 421155701R | | 1700 Nm |
| | | 421155901R | 421155901R | | 1900 Nm |
| | | 421156101R | 421156101R | | 2100 Nm |
| 4 | | 258000100R05 | 258000100R05 | Sleeve | |
| 5 | | 250000101R05 | 250000101R05 | Cam | |
| 6 | | 408000047R02 | 408000047R02 | Taper pin | 1 3/8" Z6 - Z21 |
| | | 408000052R02 | 408000052R02 | | 1 3/4" Z6 - Z20 |
| 7 | | 515150301R | 515150301R | Hub with taper pin and bushing | 1 3/8" Z6 |
| | | 515153701R | 515153701R | | 1 3/8" Z21 |
| | | 515150401R | 515150401R | | 1 3/4" Z6 |
| | | 515153801R | 515153801R | | 1 3/4" Z20 |
| 8 | | 240000201R02 | 240000201R02 | Bushing | |
| 9 | | 355006080R02 | 355006080R02 | Sealing ring | 80 x 100 x 10 mm |
| 10 | | 358000006R02 | 358000006R02 | O-ring | 139 x 2.6 mm |
| 11 | | 240000202R02 | 240000202R02 | Locking plate | |
| 12 | | 338000138R20 | 338000138R20 | Snap ring | 138 x 4 DIN 472/1 |

* Other kits are available: 1400 Nm - 1800 Nm - 2000 Nm - 2200 Nm.
The codes should be requested from the commercial office.



For primary drivelines, always install any torque limiter or overrunning clutch on the implement side.
All rotating parts must be guarded.

LR23 with overrunning clutch

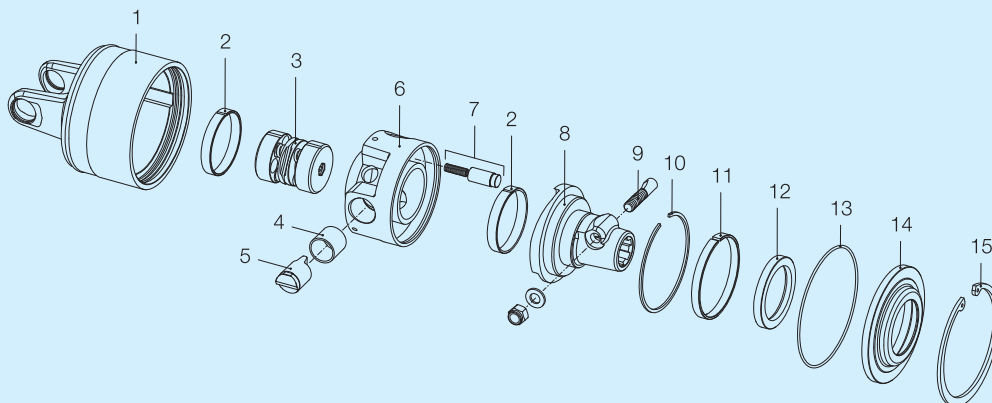


| Size | Torque Nm | B (mm) | | | | F mm | G mm | α ° | Spare parts codes for use at 540 min ⁻¹ | | | |
|------|--------------|----------------|-----------------|----------------|-----------------|---------|---------|---------------|--|------------|-----------|------------|
| | | S 1 3/8" Z6 | S 1 3/8" Z21 | S 1 3/4" Z6 | S 1 3/4" Z20 | | | | 1 3/8" Z6 | 1 3/8" Z21 | 1 3/4" Z6 | 1 3/4" Z20 |
| S4 | 1200 | 176 | 176 | --- | --- | 37 | 146 | 19° | 6WE848003R | 6WE848037R | --- | --- |
| | 1500 | | | | | | | | 6WE854003R | 6WE854037R | --- | --- |
| | 1700 | | | | | | | | 6WE857003R | 6WE857037R | --- | --- |
| | 1900 | | | | | | | | 6WE859003R | 6WE859037R | --- | --- |
| S5 | 1500 | 181 | 181 | --- | --- | 33 | 146 | 21° | 6WG854003R | 6WG854037R | --- | --- |
| | 1700 | | | | | | | | 6WG857003R | 6WG857037R | --- | --- |
| | 1900 | | | | | | | | 6WG859003R | 6WG859037R | --- | --- |
| | 2100 | | | | | | | | 6WG861003R | 6WG861037R | --- | --- |
| S6 | 1700 | 181 | 181 | --- | --- | 32 | 160 | 24° | 6WG857003R | 6WG857037R | --- | --- |
| | 1900 | | | | | | | | 6WG859003R | 6WG859037R | --- | --- |
| | 2100 | | | | | | | | 6WG861003R | 6WG861037R | --- | --- |
| H7 | 2100 | 188 | 188 | --- | --- | 29 | 160 | 28° | 6WH861003R | 6WH861037R | --- | --- |

| Size | Torque Nm | B (mm) | | | | F mm | G mm | α ° | Spare parts codes for LR23 with improved re-engagement | | | |
|------|--------------|----------------|-----------------|----------------|-----------------|---------|---------|---------------|--|------------|-----------|------------|
| | | S 1 3/8" Z6 | S 1 3/8" Z21 | S 1 3/4" Z6 | S 1 3/4" Z20 | | | | 1 3/8" Z6 | 1 3/8" Z21 | 1 3/4" Z6 | 1 3/4" Z20 |
| S4 | 1200 | 176 | 176 | --- | --- | 37 | 146 | 19° | 6WEC48003R | 6WEC48037R | --- | --- |
| | 1500 | | | | | | | | 6WEC54003R | 6WEC54037R | --- | --- |
| | 1700 | | | | | | | | 6WEC57003R | 6WEC57037R | --- | --- |
| | 1900 | | | | | | | | 6WEC59003R | 6WEC59037R | --- | --- |
| S5 | 1500 | 181 | 181 | --- | --- | 33 | 146 | 21° | 6WGC54003R | 6WGC54037R | --- | --- |
| | 1700 | | | | | | | | 6WGC57003R | 6WGC57037R | --- | --- |
| | 1900 | | | | | | | | 6WGC59003R | 6WGC59037R | --- | --- |
| | 2100 | | | | | | | | 6WGC61003R | 6WGC61037R | --- | --- |
| S6 | 1700 | 181 | 181 | --- | --- | 32 | 160 | 24° | 6WGC57003R | 6WGC57037R | --- | --- |
| | 1900 | | | | | | | | 6WGC59003R | 6WGC59037R | --- | --- |
| | 2100 | | | | | | | | 6WGC61003R | 6WGC61037R | --- | --- |
| H7 | 2100 | 188 | 188 | --- | --- | 29 | 160 | 28° | 6WHC61003R | 6WHC61037R | --- | --- |

For primary drivelines, always install any torque limiter or overrunning clutch on the implement side.
All rotating parts must be guarded.

LR23 with overrunning clutch



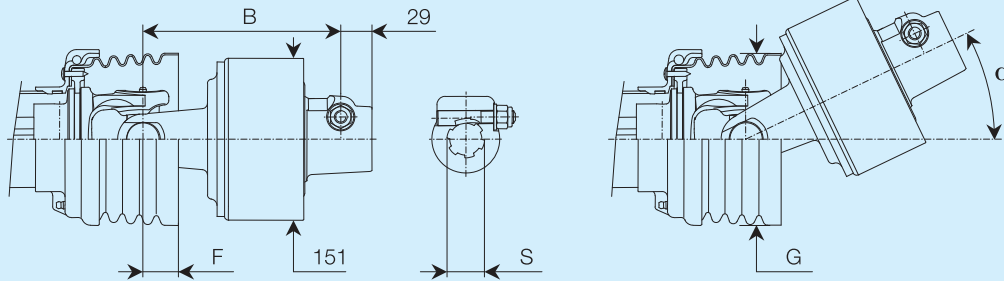
| Ref. | Size | Spare parts codes for use at 540 min ⁻¹ | Codes with improved re-engagement | Description | Technical data |
|------|------|--|-----------------------------------|---|-------------------|
| 1 | S4 | 4310E8151R | 4310EC151R | Outer housing + yoke | |
| | S5 | 4310G1152R | 4310GC151R | | |
| | S6 | 4310G1152R | 4310GC151R | | |
| | H7 | 431061106R | 431061107R | | |
| 2 | | 240000205R02 | 240000205R02 | Bushing | |
| 3 | | 421154801R | 421154801R | Spring pack* | 1200 Nm |
| | | 421155401R | 421155401R | | 1500 Nm |
| | | 421155701R | 421155701R | | 1700 Nm |
| | | 421155901R | 421155901R | | 1900 Nm |
| | | 421156101R | 421156101R | | 2100 Nm |
| 4 | | 258000100R05 | 258000100R05 | Sleeve | |
| 5 | | 250000101R05 | 250000101R05 | Cam | |
| 6 | | 234150003R | 234150003R | Cam Hub | |
| 7 | | 421004601R03 | 421004601R03 | Ratchet + spring kit for overrunning clutch | |
| 8 | | 515150303R | 515150303R | Hub with taper pin | 1 3/8" Z6 |
| | | 515153703R | 515153703R | | 1 3/8" Z21 |
| 9 | | 408000048R02 | 408000048R02 | Taper pin | 1 3/8" Z6 - Z21 |
| 10 | | 339115000R20 | 339115000R20 | Snap ring | |
| 11 | | 240000207R02 | 240000207R02 | Bushing | |
| 12 | | 355008065R02 | 355008065R02 | Sealing ring | 65 x 85 x 10 mm |
| 13 | | 358000006R02 | 358000006R02 | O-ring | 139 x 2.6 mm |
| 14 | | 240000206R02 | 240000206R02 | Locking plate | |
| 15 | | 338000138R20 | 338000138R20 | Snap ring | 138 x 4 DIN 472/1 |

* Other kits are available: 1400 Nm - 1800 Nm - 2000 Nm - 2200 Nm.
The codes should be requested from the commercial office.



For primary drivelines, always install any torque limiter or overrunning clutch on the implement side.
All rotating parts must be guarded.

LR24



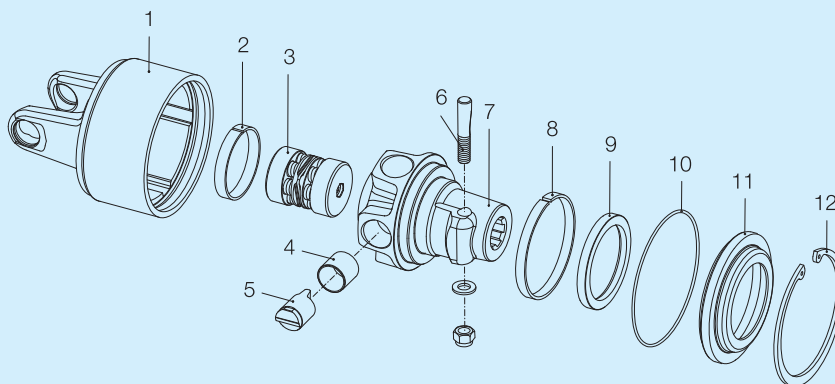
| Size | Torque Nm | B (mm) | | | | F mm | G mm | α ° | Spare parts codes for use at 540 min ⁻¹ | | | |
|------|--------------|----------------|-----------------|----------------|-----------------|---------|---------|---------------|--|------------|------------|------------|
| | | S 1 3/8" Z6 | S 1 3/8" Z21 | S 1 3/4" Z6 | S 1 3/4" Z20 | | | | 1 3/8" Z6 | 1 3/8" Z21 | 1 3/4" Z6 | 1 3/4" Z20 |
| S6 | 2500 | 176 | 176 | 176 | 176 | 32 | 160 | 24° | 6WG265003R | 6WG265037R | 6WG265004R | 6WG265038R |
| | 2600 | 184 | 184 | 184 | 184 | 29 | 160 | 28° | 6WH266003R | 6WH266037R | 6WH266004R | 6WH266038R |
| 2900 | 6WH269003R | | | | | | | | 6WH269037R | 6WH269004R | 6WH269038R | |
| S8 | 2500 | 184 | 184 | 184 | 184 | 42 | 160 | 19° | 6WL265003R | 6WL265037R | 6WL265004R | 6WL265038R |
| | 3000 | | | | | | | | 6WL270003R | 6WL270037R | 6WL270004R | 6WL270038R |
| H8 | 2500 | 184 | 184 | 184 | 184 | 42 | 160 | 19° | 6WL265003R | 6WL265037R | 6WL265004R | 6WL265038R |
| | 3000 | | | | | | | | 6WL270003R | 6WL270037R | 6WL270004R | 6WL270038R |
| S9 | 3000 | 192 | 192 | 192 | 192 | 49 | 180 | 18° | 6WM270003R | 6WM270037R | 6WM270004R | 6WM270038R |

| Size | Torque Nm | B (mm) | | | | F mm | G mm | α ° | Spare parts codes for LR24 with improved re-engagement | | | |
|------|--------------|----------------|-----------------|----------------|-----------------|---------|---------|---------------|--|------------|-----------------|------------|
| | | S 1 3/8" Z6 | S 1 3/8" Z21 | S 1 3/4" Z6 | S 1 3/4" Z20 | | | | 1 3/8" Z6 | 1 3/8" Z21 | 1 3/4" Z6 | 1 3/4" Z20 |
| S6 | 2500 | 176 | 176 | 176 | 176 | 32 | 160 | 24° | 6WGE65003R | 6WGE65037R | 6WGE65004R | 6WGE65038R |
| H7 | 2300 | 184 | 184 | 184 | 184 | 29 | 160 | 28° | | | 6WHE63901R (SX) | |
| | 2600 | | | | | | | | 6WHE66003R | 6WHE66037R | 6WHE66004R | 6WHE66038R |
| | 2900 | | | | | | | | 6WHE69003R | 6WHE69037R | 6WHE69004R | 6WHE69038R |
| S8 | 2500 | 184 | 184 | 184 | 184 | 42 | 160 | 19° | 6WLE65003R | 6WLE65037R | 6WLE65004R | 6WLE65038R |
| | 3000 | | | | | | | | 6WLE70003R | 6WLE70037R | 6WLE70004R | 6WLE70038R |
| H8 | 2500 | 184 | 184 | 184 | 184 | 42 | 160 | 19° | 6WLE65003R | 6WLE65037R | 6WLE65004R | 6WLE65038R |
| | 3000 | | | | | | | | 6WLE70003R | 6WLE70037R | 6WLE70004R | 6WLE70038R |
| S9 | 3000 | 192 | 192 | 192 | 192 | 49 | 180 | 18° | 6WME70003R | 6WME70037R | 6WME70004R | 6WME70038R |

The codes in columns with heading **(SX)** are for counter-clockwise rotation. All other codes are for clockwise rotation.

For primary drivelines, always install any torque limiter or overrunning clutch on the implement side. All rotating parts must be guarded.

LR24



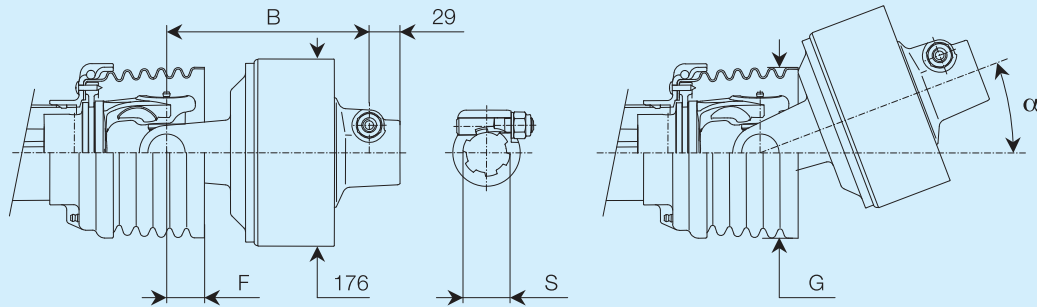
| Ref. | Size | Spare parts codes for use at 540 min ⁻¹ | Codes with improved re-engagement | Description | Technical data |
|------|---------|--|-----------------------------------|---------------------------------|-------------------|
| 1 | S6 | 4310G2152R | 4310GE151R | Outer housing | |
| | H7 | 431062152R | 4310HE151R | | |
| | S8 - H8 | 4310L2152R | 4310LE151R | | |
| | S9 | 431082152R | 4310ME151R | | |
| 2 | | 240000205R02 | 240000205R02 | Bushing | |
| 3 | | 421166502R | 421166505R | Spring kit* | 2500 Nm |
| | | 421166601R | 421166605R | | 2600 Nm |
| | | 421166902R | 421166905R | | 2900 Nm |
| | | 421167001R | 421167005R | | 3000 Nm |
| 4 | | 258000100R05 | 258000100R05 | Sleeve | |
| 5 | | 250000108R05 | 250000101R05 | Cam | |
| 6 | | 408000047R02 | 408000047R02 | Taper pin | 1 3/8" Z6 - Z21 |
| | | 408000052R02 | 408000052R02 | | 1 3/4" Z6 - Z20 |
| 7 | | 515160301R | 515160305R | Hub with taper pin and bushings | 1 3/8" Z6 |
| | | 515163701R | 515163705R | | 1 3/8" Z21 |
| | | 515160401R | 515160405R | | 1 3/4" Z6 |
| | | 515163801R | 515163805R | | 1 3/4" Z20 |
| 8 | | 240000201R02 | 240000201R02 | Bushing | |
| 9 | | 355006080R02 | 355006080R02 | Sealing ring | 80 x 100 x 10 mm |
| 10 | | 358000006R02 | 358000006R02 | O-ring | 139 x 2.6 mm |
| 11 | | 240000202R02 | 240000202R02 | Locking plate | |
| 12 | | 338000138R20 | 338000138R20 | Snap ring | 138 x 4 DIN 472/1 |

* Other kits are available for use at 540 min⁻¹: 1700 Nm - 1900 Nm - 2000 Nm - 2100 Nm - 2300 Nm.
The codes should be requested from the commercial office.



For primary drivelines, always install any torque limiter or overrunning clutch on the implement side.
All rotating parts must be guarded.

LR35



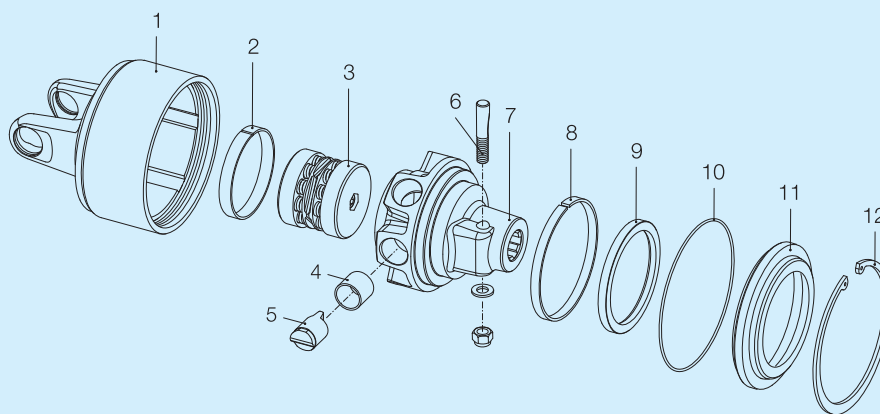
| Size | Torque Nm | B (mm) | | | | F mm | G mm | α ° | Spare parts codes for use at 540 min ⁻¹ | | | | | |
|------|--------------|----------------|-----------------|----------------|-----------------|---------|---------|--------|--|------------|-----------------|------------|------------|------------|
| | | S 1 3/8" Z6 | S 1 3/8" Z21 | S 1 3/4" Z6 | S 1 3/4" Z20 | | | | 1 3/8" Z6 | 1 3/8" Z21 | 1 3/4" Z6 | 1 3/4" Z20 | | |
| S8 | 3500 | 190 | 190 | 190 | 190 | 42 | 160 | 17° | 6WL481003R | 6WL481037R | 6WL481004R | 6WL481038R | | |
| | | | | | | | | | | | 6WL481902R (SX) | | | |
| H8 | 3500 | 190 | 190 | 190 | 190 | 42 | 160 | 17° | 6WL481003R | 6WL481037R | 6WL481004R | 6WL481038R | | |
| | 4100 | | | | | | | | | | 6WL488003R | 6WL488037R | 6WL488004R | 6WL488038R |
| S9 | 3500 | 192 | 192 | 192 | 192 | 49 | 180 | 18° | 6WM481003R | 6WM481037R | 6WM481004R | 6WM481038R | | |
| | 4100 | | | | | | | | | | 6WM488003R | 6WM488037R | 6WM488004R | 6WM488038R |
| SH | 3500 | 199 | 199 | 199 | 199 | 50 | 201 | 16° | 6WN481003R | 6WN481037R | 6WN481004R | 6WN481038R | | |
| | 4100 | | | | | | | | | | 6WN488003R | 6WN488037R | 6WN488004R | 6WN488038R |
| | 4500 | | | | | | | | | | 6WN480003R | 6WN480037R | 6WN480004R | 6WN480038R |
| S0 | 4100 | 217 | 217 | 217 | 217 | 46 | 201 | 28° | 6WS488003R | 6WS488037R | 6WS488004R | 6WS488038R | | |
| | 4500 | | | | | | | | | | 6WS480003R | 6WS480037R | 6WS480004R | 6WS480038R |

The codes in columns with heading **(SX)** are for counter-clockwise rotation. All other codes are for clockwise rotation.

| Size | Torque Nm | B (mm) | | | | F mm | G mm | α ° | Spare parts codes for LR35 with improved re-engagement | | | | | |
|------|--------------|----------------|-----------------|----------------|-----------------|---------|---------|--------|--|------------|------------|------------|------------|------------|
| | | S 1 3/8" Z6 | S 1 3/8" Z21 | S 1 3/4" Z6 | S 1 3/4" Z20 | | | | 1 3/8" Z6 | 1 3/8" Z21 | 1 3/4" Z6 | 1 3/4" Z20 | | |
| S8 | 3500 | 190 | 190 | 190 | 190 | 42 | 160 | 17° | 6WLF81003R | 6WLF81037R | 6WLF81004R | 6WLF81038R | | |
| H8 | 3500 | 190 | 190 | 190 | 190 | 42 | 160 | 17° | 6WLF81003R | 6WLF81037R | 6WLF81004R | 6WLF81038R | | |
| | 4100 | | | | | | | | | | 6WLF88003R | 6WLF88037R | 6WLF88004R | 6WLF88038R |
| S9 | 3500 | 192 | 192 | 192 | 192 | 49 | 180 | 18° | 6WMF81003R | 6WMF81037R | 6WMF81004R | 6WMF81038R | | |
| | 4100 | | | | | | | | | | 6WMF88003R | 6WMF88037R | 6WMF88004R | 6WMF88038R |
| SH | 3500 | 199 | 199 | 199 | 199 | 50 | 201 | 16° | 6WNF81003R | 6WNF81037R | 6WNF81004R | 6WNF81038R | | |
| | 4100 | | | | | | | | | | 6WNF88003R | 6WNF88037R | 6WNF88004R | 6WNF88038R |
| | 4500 | | | | | | | | | | 6WNF80003R | 6WNF80037R | 6WNF80004R | 6WNF80038R |
| S0 | 4100 | 217 | 217 | 217 | 217 | 46 | 201 | 28° | 6WSF88003R | 6WSF88037R | 6WSF88004R | 6WSF88038R | | |
| | 4500 | | | | | | | | | | 6WSF80003R | 6WSF80037R | 6WSF80004R | 6WSF80038R |

For primary drivelines, always install any torque limiter or overrunning clutch on the implement side. All rotating parts must be guarded.

LR35



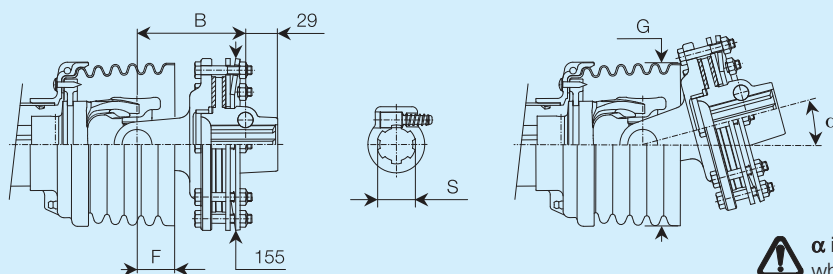
| Ref. | Size | Spare parts codes for use at 540 min ⁻¹ | Codes with improved re-engagement | Description | Technical data |
|------|---------|--|-----------------------------------|---------------------------------|-------------------|
| 1 | S8 - H8 | 4310L4152R | 4310LF151R | Outer housing + yoke | |
| | S9 | 431084151R | 4310MF151R | | |
| | SH | 4310N4152R | 4310NF151R | | |
| | S0 | 4310S4151R | 4310SF151R | | |
| 2 | | 240000711R02 | 240000711R02 | Bushing | |
| 3 | | 421188101R | 421188105R | Spring kit | 3500 Nm |
| | | 421188801R | 421188805R | | 4100 Nm |
| | | 421188001R | 421188005R | | 4500 Nm |
| 4 | | 258000100R05 | 258000100R05 | Sleeve | |
| 5 | | 250000101R05 | 250000101R05 | Cam | |
| 6 | | 408000047R02 | 408000047R02 | Taper pin | 1 3/8" Z6 - Z21 |
| | | 408000052R02 | 408000046R02 | | 1 3/4" Z6 - Z20 |
| 7 | | 515180301R | 515180305R | Hub with taper pin and bushings | 1 3/8" Z6 |
| | | 515183701R | 515183705R | | 1 3/8" Z21 |
| | | 515180401R | 515180405R | | 1 3/4" Z6 |
| | | 515183801R | 515183805R | | 1 3/4" Z20 |
| 8 | | 240000712R02 | 240000712R02 | Bushing | |
| 9 | | 355000105R02 | 355000105R02 | Sealing ring | 105 x 125 x 10 mm |
| 10 | | 358000007R02 | 358000007R02 | O-ring | 64.7 x 2.6 mm |
| 11 | | 240000710R02 | 240000710R02 | Locking plate | |
| 12 | | 338000162R20 | 338000162R20 | Snap ring | 162 x 4 DIN 472/1 |



For primary drivelines, always install any torque limiter or overrunning clutch on the implement side.
All rotating parts must be guarded.

FV22

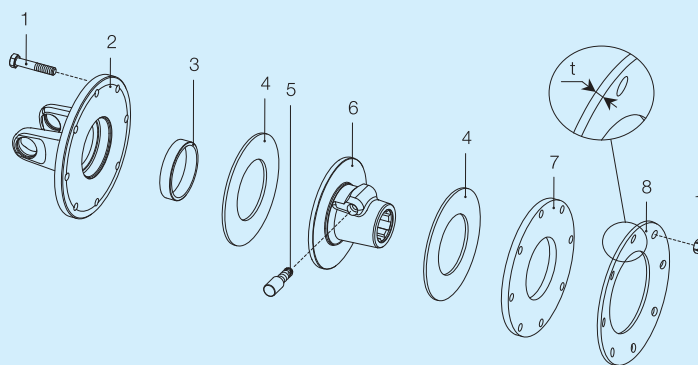
Adjustable setting



α is the joint angle at which the clutch will contact the shield.

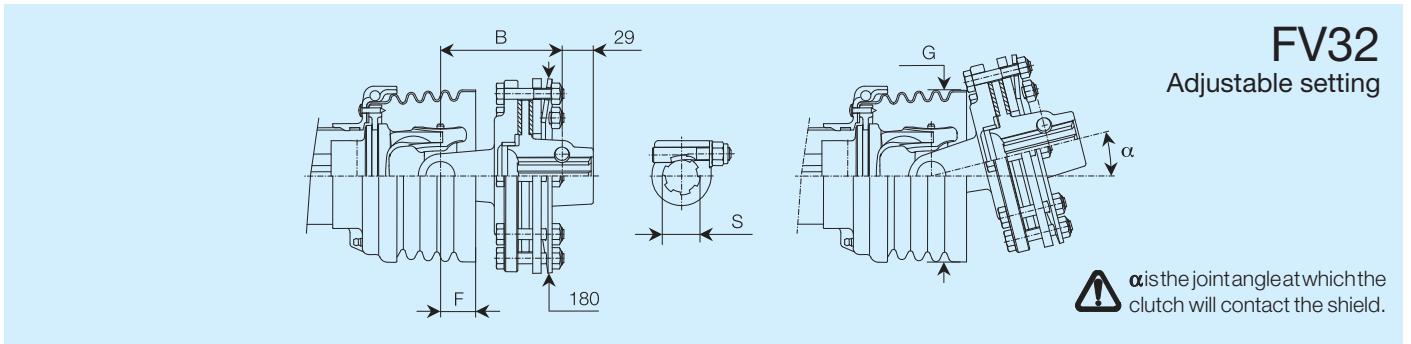
| Size | Torque Nm | B (mm) | | | | F mm | G mm | α ° | Spare parts code | | | |
|------|--------------|----------------|-----------------|----------------|-----------------|---------|---------|---------------|------------------|------------|-----------|------------|
| | | S 1 3/8" Z6 | S 1 3/8" Z21 | S 1 3/4" Z6 | S 1 3/4" Z20 | | | | 1 3/8" Z6 | 1 3/8" Z21 | 1 3/4" Z6 | 1 3/4" Z20 |
| S1 | *400 | 92 | 92 | --- | --- | 23 | 129 | 22° | 661B24103R | 661B24137R | --- | --- |
| | 500 | | | | | | | | 661B28103R | 661B28137R | --- | --- |
| S2 | 500 | 100 | 100 | --- | --- | 42 | 146 | 6° | 661C28103R | 661C28137R | --- | --- |
| | *600 | | | | | | | | 661C32103R | 661C32137R | --- | --- |
| | 800 | | | | | | | | 661C39103R | 661C39137R | --- | --- |

* Maximum recommended settings for 1000 min⁻¹ velocity



| Ref. | Size | Spare parts code | Description | Technical data |
|------|------|------------------|-------------------|---------------------|
| 1 | | 432000003R08 | Bolt | M8 x 50 mm |
| 2 | S1 | 2530B8503R | Flange yoke | |
| | S2 | 2530C8503R | | |
| 3 | | 258005320R02 | Bushing | |
| 4 | | 247006151R08 | Friction lining | D = 124 ; d = 67 mm |
| 5 | | 403000001R10 | Push-pin kit | 1 3/8" Z6 - Z21 |
| 6 | | 513850307R | Hub with push-pin | 1 3/8" Z6 |
| | | 513853707R | | 1 3/8" Z21 |
| 7 | | 2481A0001R02 | Pressure plate | Thickness = 4 mm |
| 8 | | 367005850R | Belleville spring | t = 3.75 mm |

For primary drivelines, always install any torque limiter or overrunning clutch on the implement side. All rotating parts must be guarded.



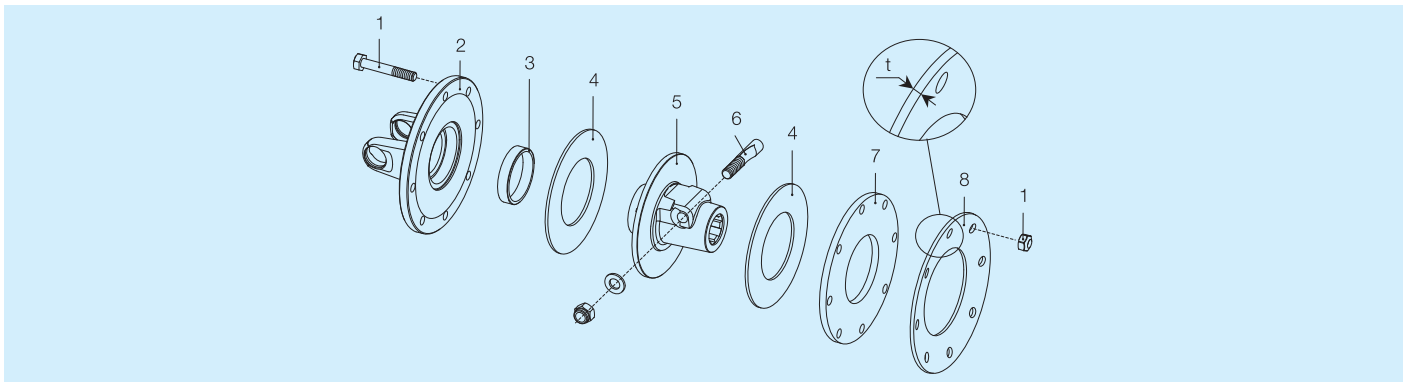
FV32

Adjustable setting

α is the joint angle at which the clutch will contact the shield.

| Size | Torque Nm | B (mm) | | | | F mm | G mm | α ° | Spare parts code | | | |
|------|--------------|----------------|-----------------|----------------|-----------------|---------|---------|---------------|------------------|------------|-----------|------------|
| | | S 1 3/8" Z6 | S 1 3/8" Z21 | S 1 3/4" Z6 | S 1 3/4" Z20 | | | | 1 3/8" Z6 | 1 3/8" Z21 | 1 3/4" Z6 | 1 3/4" Z20 |
| S4 | *900 | 113 | 113 | --- | --- | 37 | 146 | 19° | 661E41203R | 661E41237R | --- | --- |
| | 1000 | | | | | | | | 661E44203R | 661E44237R | --- | --- |
| | 1100 | | | | | | | | 661E46203R | 661E46237R | --- | --- |
| S5 | 900 | 117 | 117 | --- | --- | 33 | 146 | 21° | 661G41203R | 661G41237R | --- | --- |
| | 1000 | | | | | | | | 661G44203R | 661G44237R | --- | --- |
| | *1100 | | | | | | | | 661G46203R | 661G46237R | --- | --- |
| S6 | 900 | 117 | 117 | --- | --- | 33 | 160 | 24° | 661G41203R | 661G41237R | --- | --- |
| | 1000 | | | | | | | | 661G44203R | 661G44237R | --- | --- |
| | *1100 | | | | | | | | 661G46203R | 661G46237R | --- | --- |

* Maximum recommended settings for 1000 min⁻¹ velocity



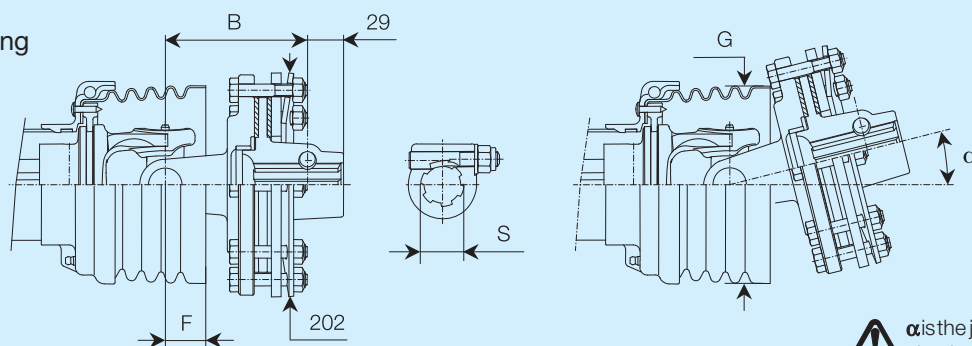
| Ref. | Size | Spare parts code | Description | Technical data |
|------|---------|------------------|--------------------|---------------------|
| 1 | | 432000054R08 | Bolt | M10 x 55 mm |
| 2 | S4 | 253048602R | Flange yoke | |
| | S5 - S6 | 253058901R | | |
| 3 | | 258005320R02 | Bushing | |
| 4 | | 247006251R08 | Friction linings | D = 141 ; d = 77 mm |
| 5 | | 515860305R | Hub with taper pin | 1 3/8" Z6 |
| | | 515863705R | | 1 3/8" Z21 |
| 6 | | 408000047R02 | Taper pin | 1 3/8" Z6 - Z21 |
| 7 | | 248860007R02 | Pressure plate | Thickness = 8 mm |
| 8 | | 367008860R | Belleville spring | t = 3.75 mm |



For primary drivelines, always install any torque limiter or overrunning clutch on the implement side.
All rotating parts must be guarded.

FV42

Adjustable setting

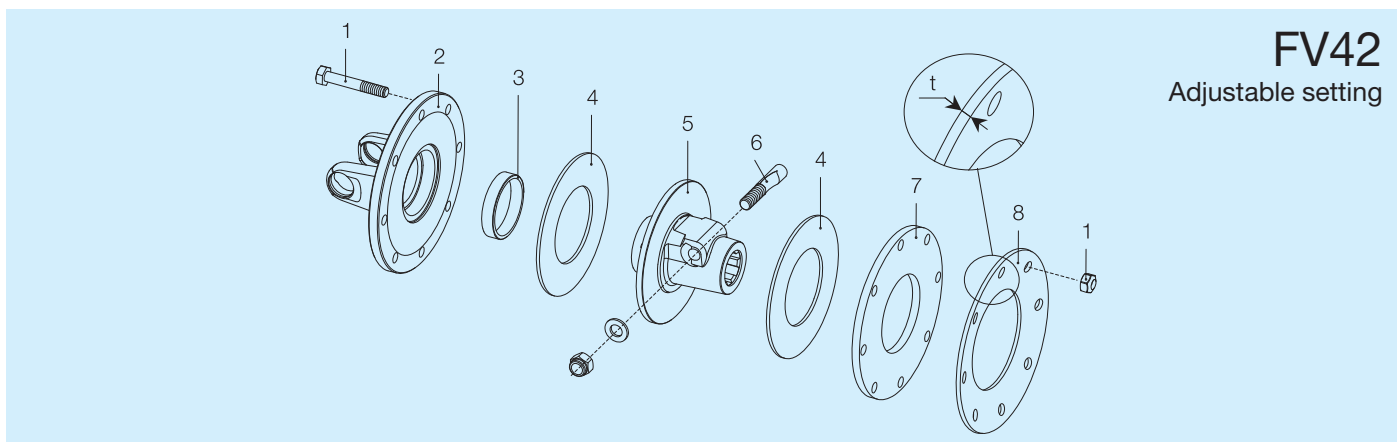


α is the joint angle at which the clutch will contact the shield.

| Size | Torque Nm | B (mm) | | | | F mm | G mm | α ° | Spare parts code | | | |
|------|--------------|----------------|-----------------|----------------|-----------------|---------|---------|---------------|------------------|------------|------------|------------|
| | | S 1 3/8" Z6 | S 1 3/8" Z21 | S 1 3/4" Z6 | S 1 3/4" Z20 | | | | 1 3/8" Z6 | 1 3/8" Z21 | 1 3/4" Z6 | 1 3/4" Z20 |
| S4 | *1200 | 113 | 113 | 118 | 118 | 37 | 146 | 19° | 661E48403R | 661E48437R | 661E48404R | 661E48438R |
| | 1350 | | | | | | | | 661E51403R | 661E51437R | 661E51404R | 661E51438R |
| S5 | *1200 | 117 | 117 | 122 | 122 | 33 | 146 | 21° | 661G48403R | 661G48437R | 661G48404R | 661G48438R |
| | 1350 | | | | | | | | 661G51403R | 661G51437R | 661G51404R | 661G51438R |
| | 1450 | | | | | | | | 661G53403R | 661G53437R | 661G53404R | 661G53438R |
| | 1600 | | | | | | | | 661G56403R | 661G56437R | 661G56404R | 661G56438R |
| S6 | *1200 | 117 | 117 | 122 | 122 | 32 | 160 | 24° | 661G48403R | 661G48437R | 661G48404R | 661G48438R |
| | 1350 | | | | | | | | 661G51403R | 661G51437R | 661G51404R | 661G51438R |
| | 1450 | | | | | | | | 661G53403R | 661G53437R | 661G53404R | 661G53438R |
| | 1600 | | | | | | | | 661G56403R | 661G56437R | 661G56404R | 661G56438R |
| H7 | 1200 | 125 | 125 | 130 | 130 | 29 | 160 | 26° | 661H48403R | 661H48437R | 661H48404R | 661H48438R |
| | 1350 | | | | | | | | 661H51403R | 661H51437R | 661H51404R | 661H51438R |
| | *1450 | | | | | | | | 661H53403R | 661H53437R | 661H53404R | 661H53438R |
| | 1600 | | | | | | | | 661H56403R | 661H56437R | 661H56404R | 661H56438R |
| | 1800 | | | | | | | | 661H58403R | 661H58437R | 661H58404R | 661H58438R |
| S8 | 1350 | 131 | 131 | 136 | 136 | 42 | 160 | 17° | 661L51403R | 661L51437R | 661L51404R | 661L51438R |
| | 1450 | | | | | | | | 661L53403R | 661L53437R | 661L53404R | 661L53438R |
| | 1600 | | | | | | | | 661L56403R | 661L56437R | 661L56404R | 661L56438R |
| | *1800 | | | | | | | | 661L58403R | 661L58437R | 661L58404R | 661L58438R |
| H8 | 1350 | 131 | 131 | 136 | 136 | 42 | 160 | 17° | 661L51403R | 661L51437R | 661L51404R | 661L51438R |
| | 1450 | | | | | | | | 661L53403R | 661L53437R | 661L53404R | 661L53438R |
| | 1600 | | | | | | | | 661L56403R | 661L56437R | 661L56404R | 661L56438R |
| | *1800 | | | | | | | | 661L58403R | 661L58437R | 661L58404R | 661L58438R |

* Maximum recommended settings for 1000 min⁻¹ velocity

For primary drivelines, always install any torque limiter or overrunning clutch on the implement side. All rotating parts must be guarded.



FV42
Adjustable setting

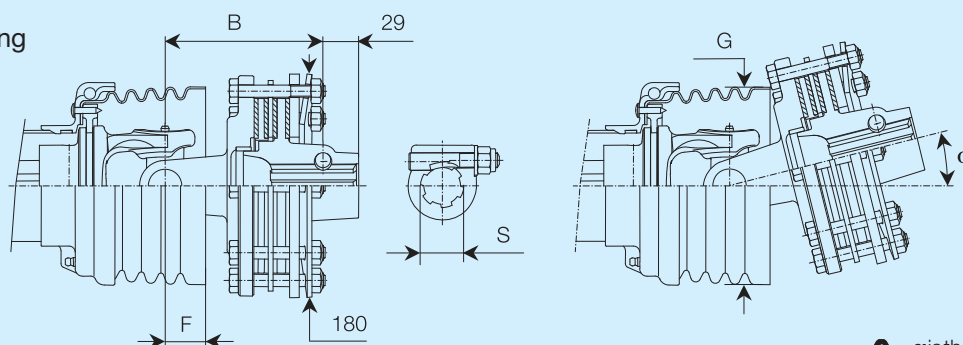
| Ref. | Size | Spare parts code | Description | Technical data |
|------|---------|------------------|--------------------|---------------------|
| 1 | | 432000008R08 | Bolt | M10 x 60 mm |
| 2 | S4 | 2530D8701R | Flange yoke | |
| | S5 - S6 | 253058701R | | |
| | H7 | 253069001R | | |
| | S8 - H8 | 253078702R | | |
| 3 | | 258005320R02 | Bushing | |
| 4 | | 247006351R08 | Friction linings | D = 162 ; d = 85 mm |
| 5 | | 515870305R | Hub with taper pin | 1 3/8" Z6 |
| | | 515873705R | | 1 3/8" Z21 |
| | | 515870405R | | 1 3/4" Z6 |
| | | 515873805R | | 1 3/4" Z20 |
| 6 | | 408000047R02 | Taper pin | 1 3/8" Z6 - Z21 |
| | | 408000046R02 | | 1 3/4" Z6 - Z20 |
| 7 | | 248870007R | Pressure plate | Thickness = 8 mm |
| 8 | | 367009870R | Belleville spring | t = 4.25 mm |



For primary drivelines, always install any torque limiter or overrunning clutch on the implement side.
All rotating parts must be guarded.

FV34

Adjustable setting

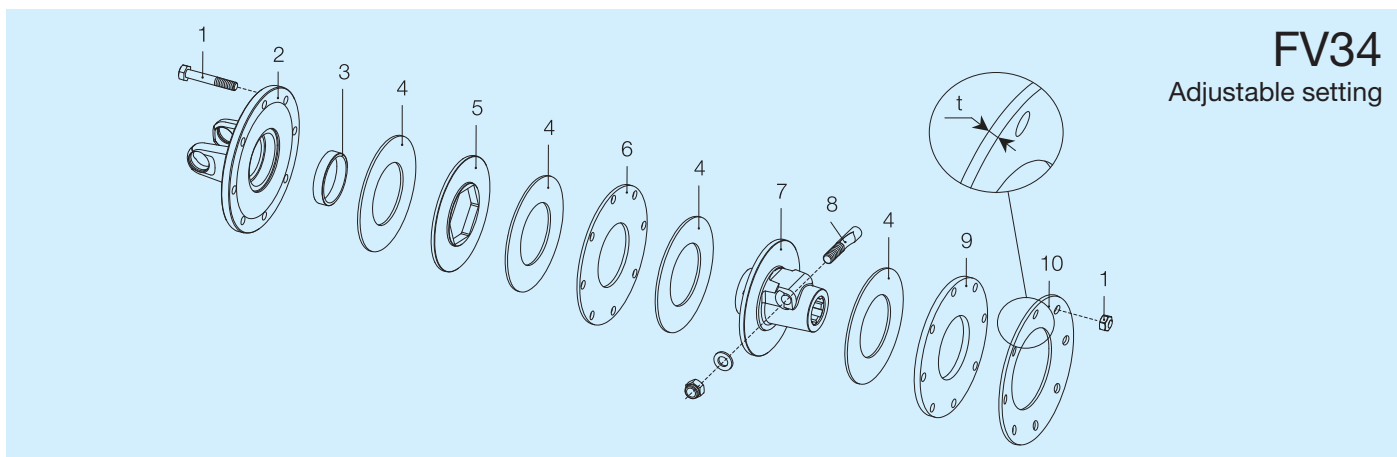


α is the joint angle at which the clutch will contact the shield.

| Size | Torque Nm | B (mm) | | | | F mm | G mm | α ° | Spare parts code | | | |
|------|--------------|----------------|-----------------|----------------|-----------------|---------|---------|---------------|------------------|------------|------------|------------|
| | | S 1 3/8" Z6 | S 1 3/8" Z21 | S 1 3/4" Z6 | S 1 3/4" Z20 | | | | 1 3/8" Z6 | 1 3/8" Z21 | 1 3/4" Z6 | 1 3/4" Z20 |
| S4 | *1200 | 129 | 129 | 134 | 134 | 37 | 146 | 19° | 661E48303R | 661E48337R | 661E48304R | 661E48338R |
| | 1350 | | | | | | | | 661E51303R | 661E51337R | 661E51304R | 661E51338R |
| S5 | *1200 | 133 | 133 | 138 | 138 | 33 | 146 | 21° | 661G48303R | 661G48337R | 661G48304R | 661G48338R |
| | 1350 | | | | | | | | 661G51303R | 661G51337R | 661G51304R | 661G51338R |
| | 1450 | | | | | | | | 661G53303R | 661G53337R | 661G53304R | 661G53338R |
| | 1600 | | | | | | | | 661G56303R | 661G56337R | 661G56304R | 661G56338R |
| S6 | *1200 | 133 | 133 | 138 | 138 | 32 | 160 | 24° | 661G48303R | 661G48337R | 661G48304R | 661G48338R |
| | 1350 | | | | | | | | 661G51303R | 661G51337R | 661G51304R | 661G51338R |
| | 1450 | | | | | | | | 661G53303R | 661G53337R | 661G53304R | 661G53338R |
| | 1600 | | | | | | | | 661G56303R | 661G56337R | 661G56304R | 661G56338R |
| H7 | 1200 | 140 | 140 | 145 | 145 | 29 | 160 | 26° | 661H48303R | 661H48337R | 661H48304R | 661H48338R |
| | 1350 | | | | | | | | 661H51303R | 661H51337R | 661H51304R | 661H51338R |
| | *1450 | | | | | | | | 661H53303R | 661H53337R | 661H53304R | 661H53338R |
| | 1600 | | | | | | | | 661H56303R | 661H56337R | 661H56304R | 661H56338R |
| | 1800 | | | | | | | | 661H58303R | 661H58337R | 661H58304R | 661H58338R |
| S8 | 1350 | 146 | 146 | 151 | 151 | 42 | 160 | 18° | 661L51303R | 661L51337R | 661L51304R | 661L51338R |
| | 1450 | | | | | | | | 661L53303R | 661L53337R | 661L53304R | 661L53338R |
| | 1600 | | | | | | | | 661L56303R | 661L56337R | 661L56304R | 661L56338R |
| | *1800 | | | | | | | | 661L58303R | 661L58337R | 661L58304R | 661L58338R |
| | 2000 | | | | | | | | 661L60303R | 661L60337R | 661L60304R | 661L60338R |
| H8 | 1350 | 146 | 146 | 151 | 151 | 42 | 160 | 18° | 661L51303R | 661L51337R | 661L51304R | 661L51338R |
| | 1450 | | | | | | | | 661L53303R | 661L53337R | 661L53304R | 661L53338R |
| | 1600 | | | | | | | | 661L56303R | 661L56337R | 661L56304R | 661L56338R |
| | *1800 | | | | | | | | 661L58303R | 661L58337R | 661L58304R | 661L58338R |
| | 2000 | | | | | | | | 661L60303R | 661L60337R | 661L60304R | 661L60338R |
| S9 | *1800 | 148 | 148 | 153 | 153 | 49 | 180 | 13° | 661M58303R | 661M58337R | 661M58304R | 661M58338R |
| | 2000 | | | | | | | | 661M60303R | 661M60337R | 661M60304R | 661M60338R |

* Maximum recommended settings for 1000 min⁻¹ velocity

For primary drivelines, always install any torque limiter or overrunning clutch on the implement side. All rotating parts must be guarded.



FV34
Adjustable setting

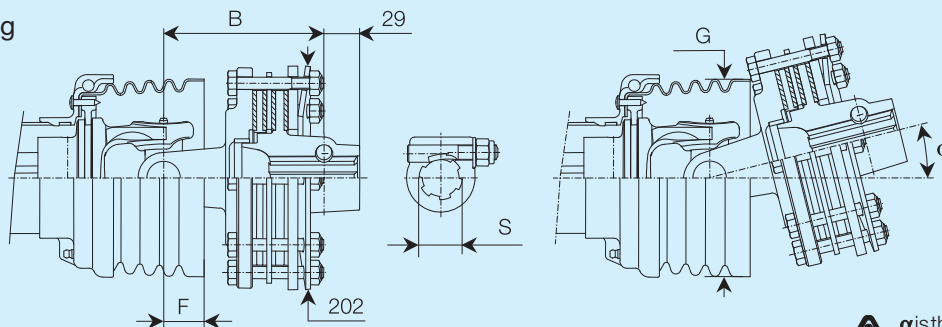
| Ref. | Size | Spare parts code | Description | Technical data |
|------|---------|------------------|--------------------|---------------------|
| 1 | | 432000114R08 | Bolt | M10 x 75 mm |
| 2 | S4 | 253048602R | Flange yoke | |
| | S5 - S6 | 253058901R | | |
| | H7 | 253068903R | | |
| | S8 - H8 | 253078601R | | |
| | S9 | 253088903R | | |
| 3 | | 258005320R02 | Bushing | |
| 4 | | 247006251R08 | Friction linings | D = 141 ; d = 77 mm |
| 5 | | 248727702R02 | Driving plate | |
| 6 | | 248860001R02 | Inner plate | Thickness = 4 mm |
| 7 | | 515890305R | Hub with taper pin | 1 3/8" Z6 |
| | | 515893705R | | 1 3/8" Z21 |
| | | 515890405R | | 1 3/4" Z6 |
| | | 515893805R | | 1 3/4" Z20 |
| 8 | | 408000047R02 | Taper pin | 1 3/8" Z6 - Z21 |
| | | 408000049R02 | | 1 3/4" Z6 - Z20 |
| 9 | | 248860007R02 | Pressure plate | Thickness = 8 mm |
| 10 | | 367008860R | Belleville spring | t = 3.75 mm |



For primary drivelines, always install any torque limiter or overrunning clutch on the implement side.
All rotating parts must be guarded.

FV44

Adjustable setting

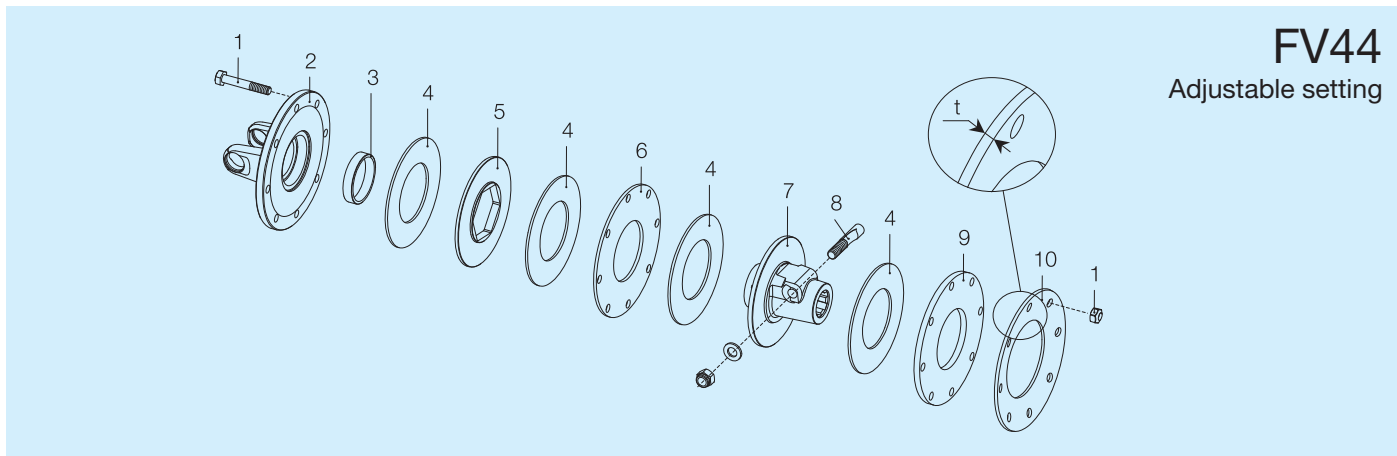


α is the joint angle at which the clutch will contact the shield.

| Size | Torque Nm | B (mm) | | | | F mm | G mm | α ° | Spare parts code | | | |
|-----------|--------------|----------------|-----------------|----------------|-----------------|---------|---------|---------------|------------------|------------|------------|------------|
| | | S 1 3/8" Z6 | S 1 3/8" Z21 | S 1 3/4" Z6 | S 1 3/4" Z20 | | | | 1 3/8" Z6 | 1 3/8" Z21 | 1 3/4" Z6 | 1 3/4" Z20 |
| S8 | * 1800 | 147 | 147 | 152 | 152 | 42 | 160 | 17° | 661L58503R | 661L58537R | 661L58504R | 661L58538R |
| | 2000 | | | | | | | | 661L60503R | 661L60537R | 661L60504R | 661L60538R |
| | 2200 | | | | | | | | 661L62503R | 661L62537R | 661L62504R | 661L62538R |
| | 2400 | | | | | | | | 661L64503R | 661L64537R | 661L64504R | 661L64538R |
| H8 | *1800 | 147 | 147 | 152 | 152 | 42 | 160 | 17° | 661L58503R | 661L58537R | 661L58504R | 661L58538R |
| | 2000 | | | | | | | | 661L60503R | 661L60537R | 661L60504R | 661L60538R |
| | 2200 | | | | | | | | 661L62503R | 661L62537R | 661L62504R | 661L62538R |
| | 2400 | | | | | | | | 661L64503R | 661L64537R | 661L64504R | 661L64538R |
| | 2600 | | | | | | | | 661L66503R | 661L66537R | 661L66504R | 661L66538R |
| S9 | 1800 | 149 | 149 | 154 | 154 | 49 | 180 | 18° | 661M58503R | 661M58537R | 661M58504R | 661M58538R |
| | 2000 | | | | | | | | 661M60503R | 661M60537R | 661M60504R | 661M60538R |
| | *2200 | | | | | | | | 661M62503R | 661M62537R | 661M62504R | 661M62538R |
| | 2400 | | | | | | | | 661M64503R | 661M64537R | 661M64504R | 661M64538R |
| | 2600 | | | | | | | | 661M66503R | 661M66537R | 661M66504R | 661M66538R |
| SH | 2200 | 150 | 150 | 155 | 155 | 50 | 201 | 12° | 661N62503R | 661N62537R | 661N62504R | 661N62538R |
| | *2400 | | | | | | | | 661N64503R | 661N64537R | 661N64504R | 661N64538R |
| | 2600 | | | | | | | | 661N66503R | 661N66537R | 661N66504R | 661N66538R |
| | 2800 | | | | | | | | 661N68503R | 661N68537R | 661N68504R | 661N68538R |
| S0 | 2200 | 163 | 163 | 168 | 168 | 46 | 201 | 21° | 661S62503R | 661S62537R | 661S62504R | 661S62538R |
| | 2400 | | | | | | | | 661S64503R | 661S64537R | 661S64504R | 661S64538R |
| | *2600 | | | | | | | | 661S66503R | 661S66537R | 661S66504R | 661S66538R |
| | 2800 | | | | | | | | 661S68503R | 661S68537R | 661S68504R | 661S68538R |
| | 3000 | | | | | | | | 661S70503R | 661S70537R | 661S70504R | 661S70538R |

* Maximum recommended settings for 1000 min⁻¹ velocity

For primary drivelines, always install any torque limiter or overrunning clutch on the implement side. All rotating parts must be guarded.



FV44
Adjustable setting

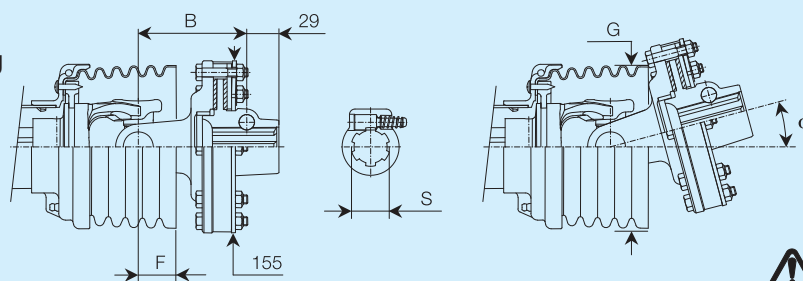
| Ref. | Size | Spare parts code | Description | Technical data |
|------|---------|------------------|--------------------|---------------------|
| 1 | | 432000114R08 | Bolt | M10 x 75 mm |
| 2 | S8 - H8 | 253078702R | Flange yoke | |
| | S9 | 253089001R | | |
| | SH | 2530N9001R | | |
| | S0 | 2530S1F01R | | |
| 3 | | 258005320R02 | Bushing | |
| 4 | | 247006351R08 | Friction lining | D = 162 ; d = 85 mm |
| 5 | | 248737702R02 | Driving plate | |
| 6 | | 248870011R02 | Inner plate | Thickness = 4 mm |
| 7 | | 515900305R | Hub with taper pin | 1 3/8" Z6 |
| | | 515903705R | | 1 3/8" Z21 |
| | | 515900405R | | 1 3/4" Z6 |
| | | 515903805R | | 1 3/4" Z20 |
| 8 | | 408000047R02 | Taper pin | 1 3/8" Z6 - Z21 |
| | | 408000046R02 | | 1 3/4" Z6 - Z20 |
| 9 | | 248870007R | Pressure plate | Thickness = 8 mm |
| 10 | | 367009870R | Belleville spring | t = 4.25 mm |



For primary drivelines, always install any torque limiter or overrunning clutch on the implement side.
All rotating parts must be guarded.

FT22

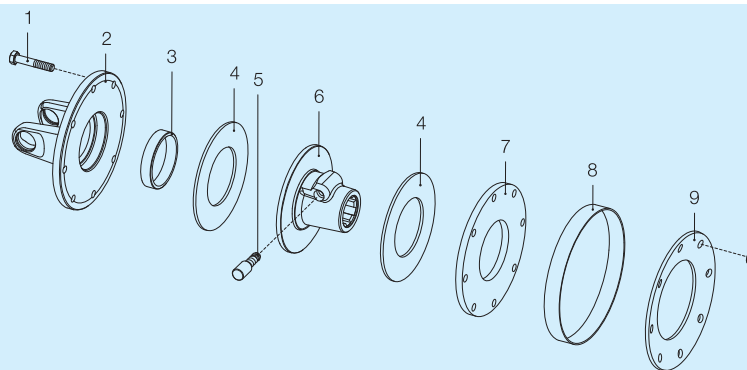
Non-adjustable setting



α is the joint angle at which the clutch will contact the shield.

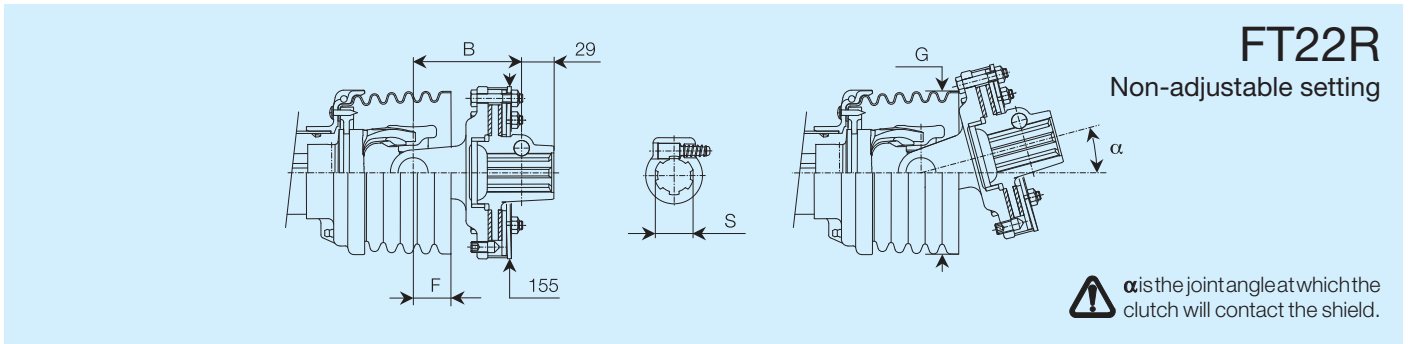
| Size | Torque Nm | B (mm) | | | | F mm | G mm | α ° | Spare parts code | | | |
|------|--------------|----------------|-----------------|----------------|-----------------|---------|---------|---------------|------------------|------------|-----------|------------|
| | | S 1 3/8" Z6 | S 1 3/8" Z21 | S 1 3/4" Z6 | S 1 3/4" Z20 | | | | 1 3/8" Z6 | 1 3/8" Z21 | 1 3/4" Z6 | 1 3/4" Z20 |
| S1 | * 400 | 92 | 92 | --- | --- | 23 | 129 | 22° | 663B24103R | 663B24137R | --- | --- |
| | 500 | | | | | | | | 663B28103R | 663B28137R | --- | --- |
| S2 | 500 | 100 | 100 | --- | --- | 42 | 146 | 6° | 663C28103R | 663C28137R | --- | --- |
| | * 600 | | | | | | | | 663C32103R | 663C32137R | --- | --- |
| | 800 | | | | | | | | 663C39103R | 663C39137R | --- | --- |

* Maximum recommended settings for 1000 min⁻¹ velocity



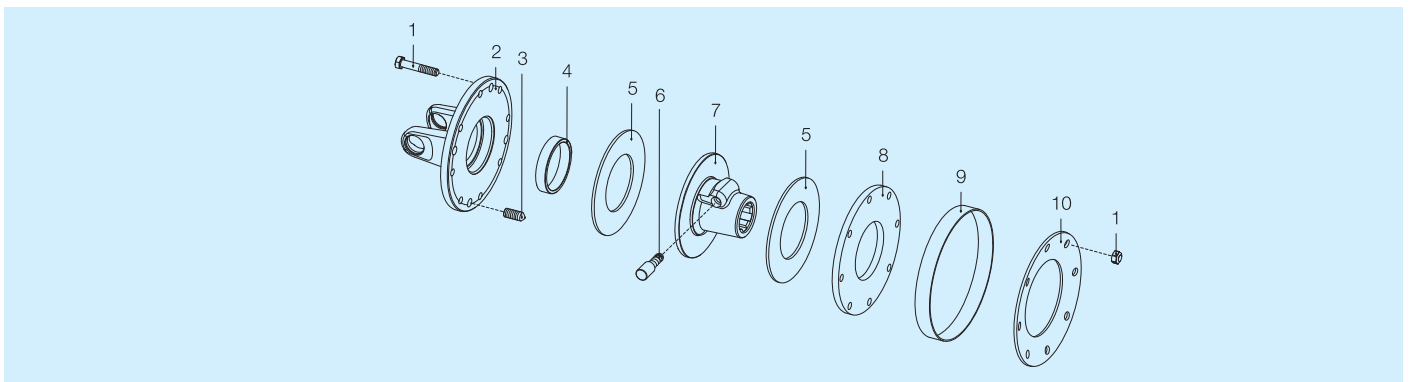
| Ref. | Size | Spare parts code | Description | Technical data |
|------|------|------------------|-------------------|---------------------|
| 1 | | 432000047R08 | Bolt | M8 x 45 mm |
| 2 | S1 | 2530B8503R | Flange yoke | |
| | S2 | 2530C8503R | | |
| 3 | | 258005320R02 | Bushing | |
| 4 | | 247006151R08 | Friction lining | D = 124 ; d = 67 mm |
| 5 | | 403000001R10 | Push-pin kit | 1 3/8" Z6 - Z21 |
| 6 | | 513850307R | Hub with push-pin | 1 3/8" Z6 |
| | | 513853707R | | 1 3/8" Z21 |
| 7 | | 2481A0002R02 | Pressure plate | Thickness = 4 mm |
| 8 | | 240001059R02 | Adjustment band | |
| 9 | | 367FT220A | Belleville spring | 400 Nm |
| | | 367FT220C | | 500 Nm |
| | | 367FT220D | | 600 Nm |
| | | 367FT220E | | 800 Nm |

For primary drivelines, always install any torque limiter or overrunning clutch on the implement side.
All rotating parts must be guarded.



| Size | Torque Nm | B (mm) | | | | F mm | G mm | α ° | Spare parts code | | | |
|------|--------------|----------------|-----------------|----------------|-----------------|---------|---------|---------------|------------------|------------|-----------|------------|
| | | S 1 3/8" Z6 | S 1 3/8" Z21 | S 1 3/4" Z6 | S 1 3/4" Z20 | | | | 1 3/8" Z6 | 1 3/8" Z21 | 1 3/4" Z6 | 1 3/4" Z20 |
| S1 | * 400 | 92 | 92 | --- | --- | 23 | 129 | 22° | 663B24A03R | 663B24A37R | --- | --- |
| | 500 | | | | | | | | 663B28A03R | 663B28A37R | --- | --- |
| S2 | 500 | 100 | 100 | --- | --- | 42 | 146 | 6° | 663C28A03R | 663C28A37R | --- | --- |
| | * 600 | | | | | | | | 663C32A03R | 663C32A37R | --- | --- |
| | 800 | | | | | | | | 663C39A03R | 663C39A37R | --- | --- |

* Maximum recommended settings for 1000 min⁻¹ velocity

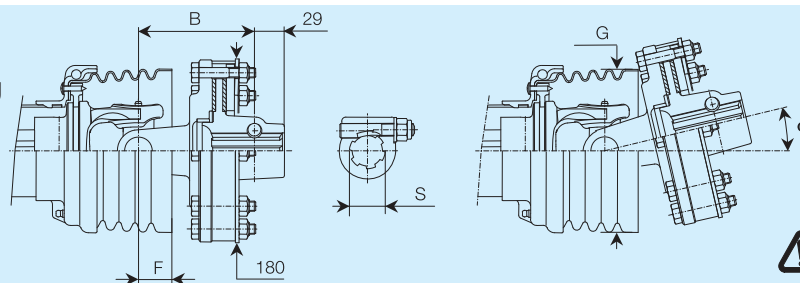


| Ref. | Size | Spare parts code | Description | Technical data |
|------|------|------------------|-------------------------------|---------------------|
| 1 | | 432000047R08 | Bolt | M8 x 45 mm |
| 2 | S1 | 2530B8504R | Flange yoke | |
| | S2 | 2530C8504R | | |
| 3 | | 310001300R04 | Special socket head set screw | M10 x 25 mm |
| 4 | | 258005320R02 | Bushing | |
| 5 | | 247006151R08 | Friction lining | D = 124 ; d = 67 mm |
| 6 | | 403000001R10 | Push-pin kit | 1 3/8" Z6 - Z21 |
| 7 | | 513850307R | Hub with push-pin | 1 3/8" Z6 |
| | | 513853707R | | 1 3/8" Z21 |
| 8 | | 2481A0002R02 | Pressure plate | Thickness = 4 mm |
| 9 | | 240001059R02 | Adjustment band | |
| 10 | | 367FT220A | Belleville spring | 400 Nm |
| | | 367FT220C | | 500 Nm |
| | | 367FT220D | | 600 Nm |
| | | 367FT220E | | 800 Nm |

For primary drivelines, always install any torque limiter or overrunning clutch on the implement side. All rotating parts must be guarded.

FT32

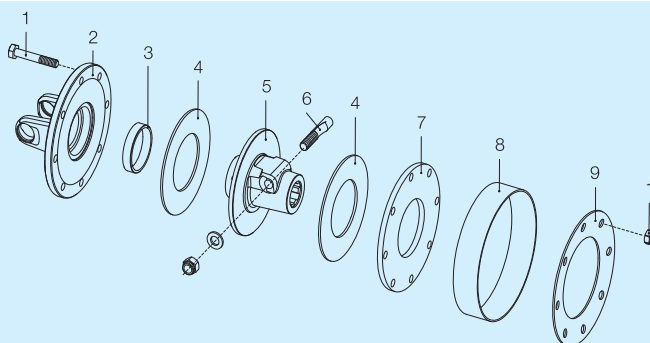
Non-adjustable setting



α is the joint angle at which the clutch will contact the shield.

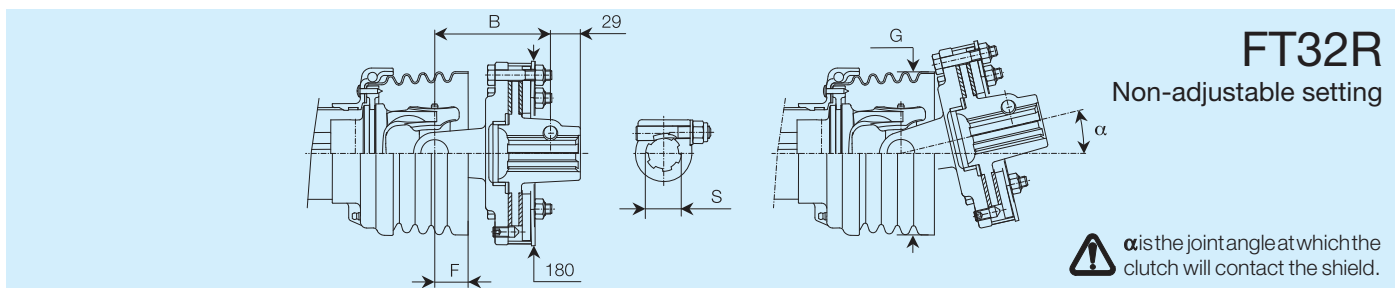
| Size | Torque Nm | B (mm) | | | | F mm | G mm | α ° | Spare parts code | | | |
|------|--------------|----------------|-----------------|----------------|-----------------|---------|---------|---------------|------------------|------------|-----------|------------|
| | | S 1 3/8" Z6 | S 1 3/8" Z21 | S 1 3/4" Z6 | S 1 3/4" Z20 | | | | 1 3/8" Z6 | 1 3/8" Z21 | 1 3/4" Z6 | 1 3/4" Z20 |
| S4 | *900 | 113 | 113 | --- | --- | 37 | 146 | 19° | 663E41203R | 663E41237R | --- | --- |
| | 1000 | | | | | | | | 663E44203R | 663E44237R | --- | --- |
| | 1100 | | | | | | | | 663E46203R | 663E46237R | --- | --- |
| S5 | 900 | 117 | 117 | --- | --- | 33 | 146 | 21° | 663G41203R | 663G41237R | --- | --- |
| | 1000 | | | | | | | | 663G44203R | 663G44237R | --- | --- |
| | *1100 | | | | | | | | 663G46203R | 663G46237R | --- | --- |
| S6 | 900 | 117 | 117 | --- | --- | 32 | 160 | 24° | 663G41203R | 663G41237R | --- | --- |
| | 1000 | | | | | | | | 663G44203R | 663G44237R | --- | --- |
| | *1100 | | | | | | | | 663G46203R | 663G46237R | --- | --- |

* Maximum recommended settings for 1000 min⁻¹ velocity



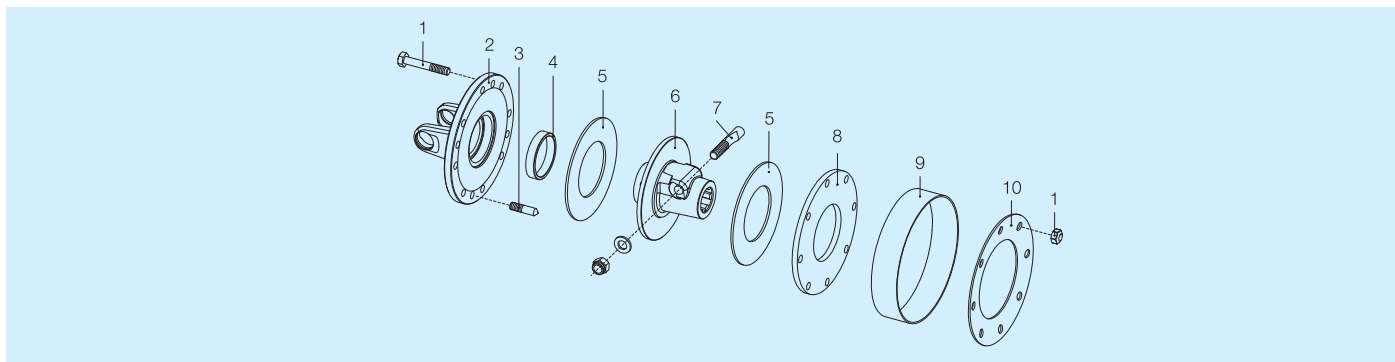
| Ref. | Size | Spare parts code | Description | Technical data |
|------|---------|------------------|--------------------|---------------------|
| 1 | | 432000054R08 | Bolt | M10 x 55 mm |
| 2 | S4 | 253048602R | Flange yoke | |
| | S5 - S6 | 253058901R | | |
| 3 | | 258005320R02 | Bushing | |
| 4 | | 247006251R08 | Friction lining | D = 141 ; d = 77 mm |
| 5 | | 515860305R | Hub with taper pin | 1 3/8" Z6 |
| | | 515863705R | | 1 3/8" Z21 |
| 6 | | 408000047R02 | Taper pin | 1 3/8" Z6 - Z21 |
| 7 | | 248860005R02 | Pressure plate | Thickness = 8 mm |
| 8 | | 240000213R02 | Adjustment band | |
| 9 | | 367FT320A | Belleville spring | 900 Nm |
| | | 367FT320C | | 1000 Nm |
| | | 367FT320D | | 1100 Nm |

For primary drivelines, always install any torque limiter or overrunning clutch on the implement side.
All rotating parts must be guarded.



| Size | Torque Nm | B (mm) | | | | F mm | G mm | α ° | Spare parts code | | | |
|------|--------------|----------------|-----------------|----------------|-----------------|---------|---------|---------------|------------------|------------|-----------|------------|
| | | S 1 3/8" Z6 | S 1 3/8" Z21 | S 1 3/4" Z6 | S 1 3/4" Z20 | | | | 1 3/8" Z6 | 1 3/8" Z21 | 1 3/4" Z6 | 1 3/4" Z20 |
| S4 | *900 | 113 | 113 | --- | --- | 37 | 146 | 19° | 663E41C03R | 663E41C37R | --- | --- |
| | 1000 | | | | | | | | 663E44C03R | 663E44C37R | --- | --- |
| | 1100 | | | | | | | | 663E46C03R | 663E46C37R | --- | --- |
| S5 | 900 | 117 | 117 | --- | --- | 33 | 146 | 21° | 663G41C03R | 663G41C37R | --- | --- |
| | 1000 | | | | | | | | 663G44C03R | 663G44C37R | --- | --- |
| | *1100 | | | | | | | | 663G46C03R | 663G46C37R | --- | --- |
| S6 | 900 | 117 | 117 | --- | --- | 32 | 160 | 24° | 663G41C03R | 663G41C37R | --- | --- |
| | 1000 | | | | | | | | 663G44C03R | 663G44C37R | --- | --- |
| | *1100 | | | | | | | | 663G46C03R | 663G46C37R | --- | --- |

* Maximum recommended settings for 1000 min⁻¹ velocity

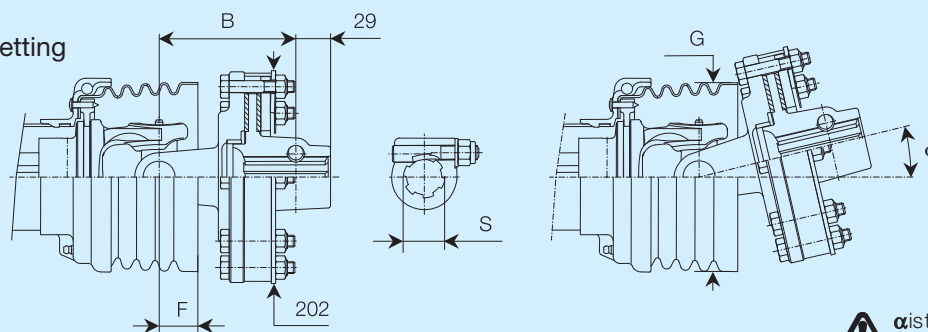


| Ref. | Size | Spare parts code | Description | Technical data |
|------|---------|------------------|-------------------------------|---------------------|
| 1 | | 432000054R08 | Bolt | M10 x 55 mm |
| 2 | S4 | 2530E8605R | Flange yoke | |
| | S5 - S6 | 2530G8605R | | |
| 3 | | 310001300R04 | Special socket head set screw | M10 x 25 mm |
| 4 | | 258005320R02 | Bushing | |
| 5 | | 247006251R08 | Friction lining | D = 141 ; d = 77 mm |
| 6 | | 515860305R | Hub with taper pin | 1 3/8" Z6 |
| | | 515863705R | | 1 3/8" Z21 |
| 7 | | 408000047R02 | Taper pin | 1 3/8" Z6 - Z21 |
| 8 | | 248860005R02 | Pressure plate | Thickness = 8 mm |
| 9 | | 240000213R02 | Adjustment band | |
| 10 | | 367FT320A | Belleville spring | 900 Nm |
| | | 367FT320C | | 1000 Nm |
| | | 367FT320D | | 1100 Nm |

For primary drivelines, always install any torque limiter or overrunning clutch on the implement side. All rotating parts must be guarded.

FT42

Non-adjustable setting

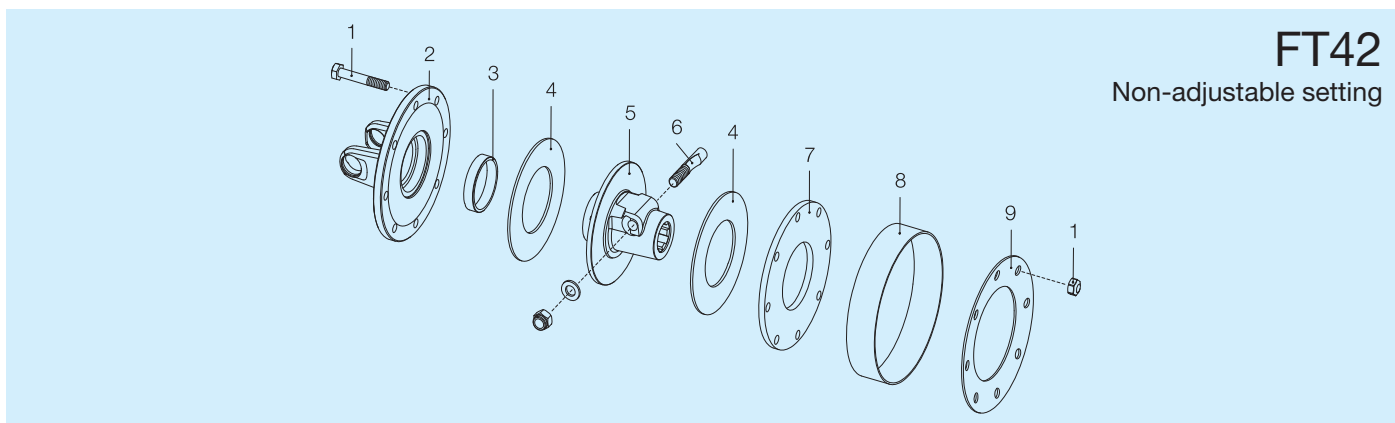


α is the joint angle at which the clutch will contact the shield.

| Size | Torque Nm | B (mm) | | | | F mm | G mm | α ° | Spare parts code | | | |
|------|--------------|----------------|-----------------|----------------|-----------------|---------|---------|---------------|------------------|------------|------------|------------|
| | | S 1 3/8" Z6 | S 1 3/8" Z21 | S 1 3/4" Z6 | S 1 3/4" Z20 | | | | 1 3/8" Z6 | 1 3/8" Z21 | 1 3/4" Z6 | 1 3/4" Z20 |
| S5 | 1200 | 117 | 117 | 122 | 122 | 33 | 146 | 21° | 663G48403R | 663G48437R | 663G48404R | 663G48438R |
| | *1200 | 117 | 117 | 122 | 122 | 32 | 160 | 24° | 663G48403R | 663G48437R | 663G48404R | 663G48438R |
| H7 | 1450 | | | | | | | | 663G53403R | 663G53437R | 663G53404R | 663G53438R |
| | 1200 | 125 | 125 | 130 | 130 | 29 | 160 | 26° | 663H48403R | 663H48437R | 663H48404R | 663H48438R |
| | *1450 | | | | | | | | 663H53403R | 663H53437R | 663H53404R | 663H53438R |
| S8 | 1800 | | | | | | | | 663H58403R | 663H58437R | 663H58404R | 663H58438R |
| | *1450 | 131 | 131 | 136 | 136 | 42 | 160 | 17° | 663L53403R | 663L53437R | 663L53404R | 663L53438R |
| | 1800 | | | | | | | | 663L58403R | 663L58437R | 663L58404R | 663L58438R |
| H8 | *1450 | 131 | 131 | 136 | 136 | 42 | 160 | 17° | 663L53403R | 663L53437R | 663L53404R | 663L53438R |
| | 1800 | | | | | | | | 663L58403R | 663L58437R | 663L58404R | 663L58438R |
| | | | | | | | | | | | | |

* Maximum recommended settings for 1000 min⁻¹ velocity

For primary drivelines, always install any torque limiter or overrunning clutch on the implement side.
All rotating parts must be guarded.



FT42
Non-adjustable setting

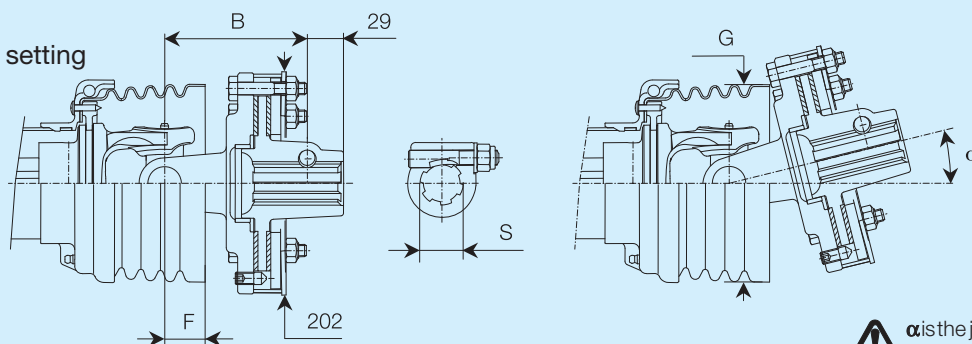
| Ref. | Size | Spare parts code | Description | Technical data |
|------|---------|------------------|--------------------|---------------------|
| 1 | | 432000054R08 | Bolt | M10 x 55 mm |
| 2 | S5 - S6 | 253058701R | Flange yoke | |
| | H7 | 253069001R | | |
| | S8 - H8 | 253078702R | | |
| 3 | | 258005320R02 | Bushing | |
| 4 | | 247006351R08 | Friction lining | D = 162 ; d = 85 mm |
| 5 | | 515870305R | Hub with taper pin | 1 3/8" Z6 |
| | | 515873705R | | 1 3/8" Z21 |
| | | 515870405R | | 1 3/4" Z6 |
| | | 515873805R | | 1 3/4" Z20 |
| 6 | | 408000047R02 | Taper pin | 1 3/8" Z6 - Z21 |
| | | 408000046R02 | | 1 3/4" Z6 - Z20 |
| 7 | | 248870005R | Pressure plate | Thickness = 8 mm |
| 8 | | 240000214R02 | Adjustment band | |
| 9 | | 367FT420A | Belleville spring | 1200 Nm |
| | | 367FT420C | | 1450 Nm |
| | | 367FT420D | | 1800 Nm |



For primary drivelines, always install any torque limiter or overrunning clutch on the implement side.
All rotating parts must be guarded.

FT42R

Non-adjustable setting

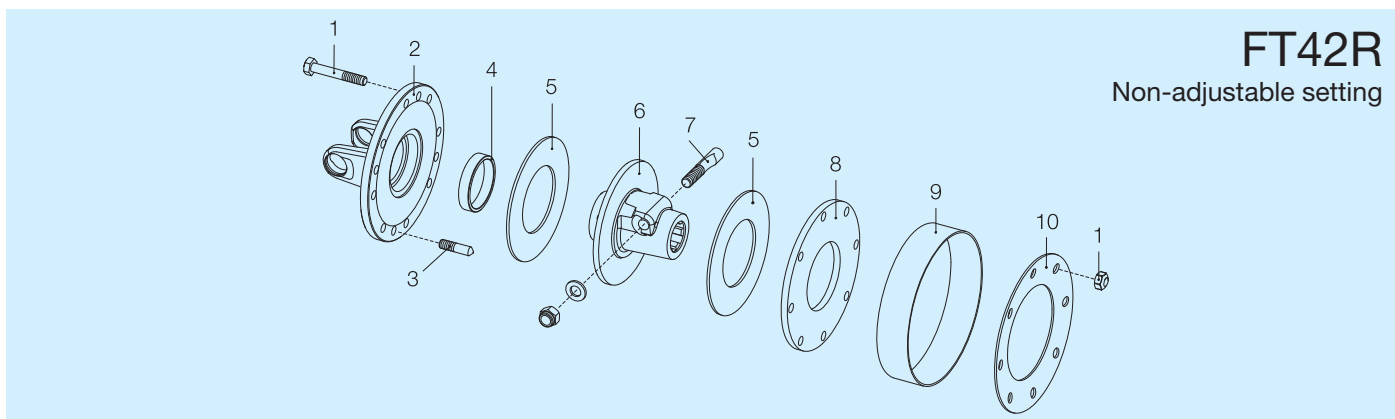


α is the joint angle at which the clutch will contact the shield.

| Size | Torque Nm | B (mm) | | | | F mm | G mm | α ° | Spare parts code | | | |
|------|--------------|----------------|-----------------|----------------|-----------------|---------|---------|---------------|------------------|------------|------------|------------|
| | | S 1 3/8" Z6 | S 1 3/8" Z21 | S 1 3/4" Z6 | S 1 3/4" Z20 | | | | 1 3/8" Z6 | 1 3/8" Z21 | 1 3/4" Z6 | 1 3/4" Z20 |
| S5 | 1200 | 117 | 117 | 122 | 122 | 33 | 146 | 21° | 663G48F03R | 663G48F37R | 663G48F04R | 663G48F38R |
| | *1200 | 117 | 117 | 122 | 122 | 32 | 160 | 24° | 663G48F03R | 663G48F37R | 663G48F04R | 663G48F38R |
| H7 | 1450 | | | | | | | | 663G53F03R | 663G53F37R | 663G53F04R | 663G53F38R |
| | 1200 | 125 | 125 | 130 | 130 | 29 | 160 | 26° | 663H48F03R | 663H48F37R | 663H48F04R | 663H48F38R |
| | *1450 | | | | | | | | 663H53F03R | 663H53F37R | 663H53F04R | 663H53F38R |
| S8 | 1800 | | | | | | | | 663H58F03R | 663H58F37R | 663H58F04R | 663H58F38R |
| | *1450 | 131 | 131 | 136 | 136 | 42 | 160 | 17° | 663L53F03R | 663L53F37R | 663L53F04R | 663L53F38R |
| | 1800 | | | | | | | | 663L58F03R | 663L58F37R | 663L58F04R | 663L58F38R |
| H8 | *1450 | 131 | 131 | 136 | 136 | 42 | 160 | 17° | 663L53F03R | 663L53F37R | 663L53F04R | 663L53F38R |
| | 1800 | | | | | | | | 663L58F03R | 663L58F37R | 663L58F04R | 663L58F38R |
| | | | | | | | | | | | | |

* Maximum recommended settings for 1000 min⁻¹ velocity

For primary drivelines, always install any torque limiter or overrunning clutch on the implement side. All rotating parts must be guarded.



FT42R
Non-adjustable setting

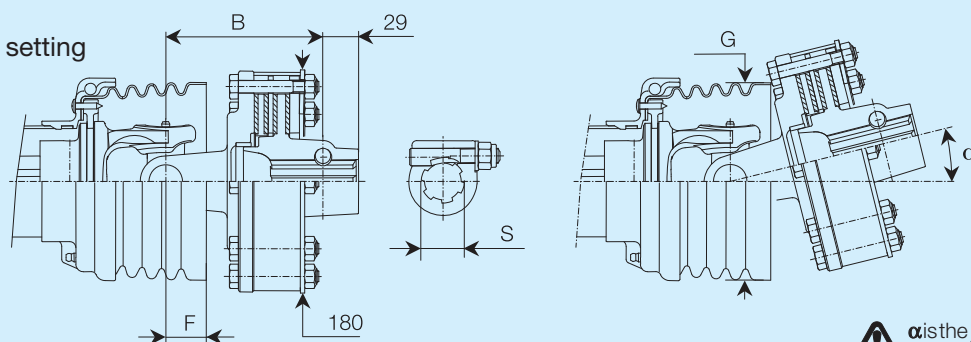
| Ref. | Size | Spare parts code | Description | Technical data |
|------|---------|------------------|-------------------------------|---------------------|
| 1 | | 432000054R08 | Bolt | M10 x 55 mm |
| 2 | S5 - S6 | 2530G8705R | Flange yoke | |
| | H7 | 2530H8705R | | |
| | S8 - H8 | 2530L8705R | | |
| 3 | | 310001300R04 | Special socket head set screw | M10 x 25 mm |
| 4 | | 258005320R02 | Bushing | |
| 5 | | 247006351R08 | Friction lining | D = 162 ; d = 85 mm |
| 6 | | 515870305R | Hub with taper pin | 1 3/8" Z6 |
| | | 515873705R | | 1 3/8" Z21 |
| | | 515870405R | | 1 3/4" Z6 |
| | | 515873805R | | 1 3/4" Z20 |
| 7 | | 408000047R02 | Taper pin | 1 3/8" Z6 - Z21 |
| | | 408000046R02 | | 1 3/4" Z6 - Z20 |
| 8 | | 248870005R | Pressure plate | Thickness = 8 mm |
| 9 | | 240000214R02 | Adjustment band | |
| 10 | | 367FT420A | Belleville spring | 1200 Nm |
| | | 367FT420C | | 1450 Nm |
| | | 367FT420D | | 1800 Nm |



For primary drivelines, always install any torque limiter or overrunning clutch on the implement side.
All rotating parts must be guarded.

FT34

Non-adjustable setting

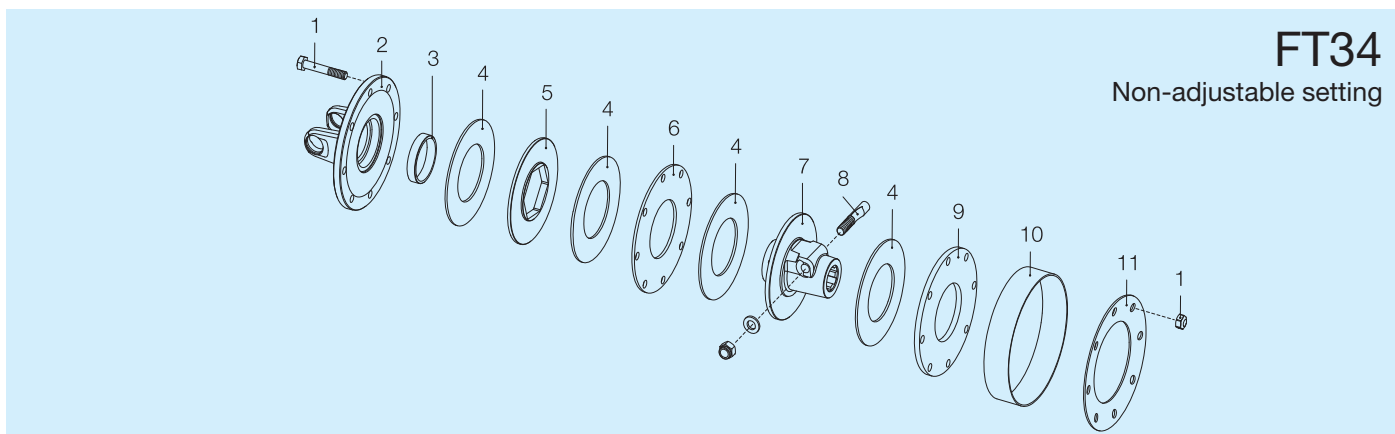


α is the joint angle at which the clutch will contact the shield.

| Size | Torque Nm | B (mm) | | | | F mm | G mm | α ° | Spare parts code | | | |
|------|--------------|----------------|-----------------|----------------|-----------------|---------|---------|---------------|------------------|------------|------------|------------|
| | | S 1 3/8" Z6 | S 1 3/8" Z21 | S 1 3/4" Z6 | S 1 3/4" Z20 | | | | 1 3/8" Z6 | 1 3/8" Z21 | 1 3/4" Z6 | 1 3/4" Z20 |
| S6 | *1200 | 133 | 133 | 138 | 138 | 32 | 160 | 24° | 663G48303R | 663G48337R | 663G48304R | 663G48338R |
| | 1450 | | | | | | | | 663G53303R | 663G53337R | 663G53304R | 663G53338R |
| H7 | 1200 | 140 | 140 | 145 | 145 | 29 | 160 | 28° | 663H48303R | 663H48337R | 663H48304R | 663H48338R |
| | *1450 | | | | | | | | 663H53303R | 663H53337R | 663H53304R | 663H53338R |
| | 1800 | | | | | | | | 663H58303R | 663H58337R | 663H58304R | 663H58338R |
| S8 | 1450 | 146 | 146 | 151 | 151 | 42 | 160 | 18° | 663L53303R | 663L53337R | 663L53304R | 663L53338R |
| | *1800 | | | | | | | | 663L58303R | 663L58337R | 663L58304R | 663L58338R |
| H8 | 1450 | 146 | 146 | 151 | 151 | 42 | 160 | 18° | 663L53303R | 663L53337R | 663L53304R | 663L53338R |
| | *1800 | | | | | | | | 663L58303R | 663L58337R | 663L58304R | 663L58338R |
| S9 | *1800 | 148 | 148 | 153 | 153 | 49 | 180 | 13° | 663M58303R | 663M58337R | 663M58304R | 663M58338R |

* Maximum recommended settings for 1000 min⁻¹ velocity

For primary drivelines, always install any torque limiter or overrunning clutch on the implement side. All rotating parts must be guarded.



FT34

Non-adjustable setting

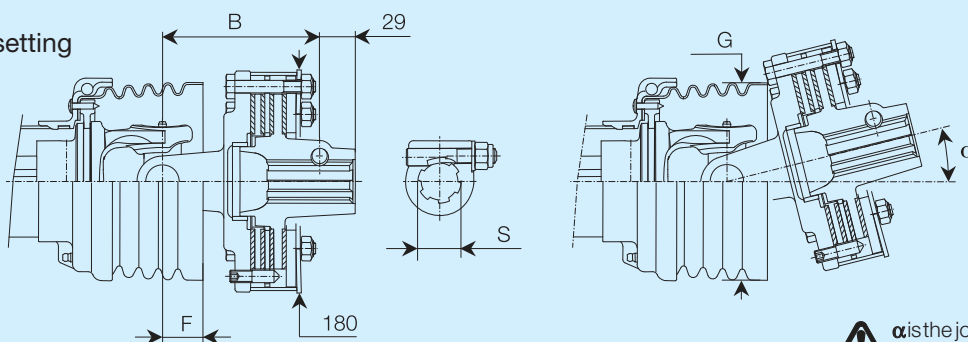
| Ref. | Size | Spare parts code | Description | Technical data |
|------|---------|------------------|--------------------|---------------------|
| 1 | | 432000045R08 | Bolt | M10 x 65 mm |
| 2 | S6 | 253058901R | Flange yoke | |
| | H7 | 253068903R | | |
| | S8 - H8 | 253078601R | | |
| | S9 | 253088903R | | |
| 3 | | 258005320R02 | Bushing | |
| 4 | | 247006251R08 | Friction lining | D = 141 ; d = 77 mm |
| 5 | | 248727702R02 | Driving plate | |
| 6 | | 248860001R02 | Inner plate | Thickness = 4 mm |
| 7 | | 515890305R | Hub with taper pin | 1 3/8" Z6 |
| | | 515893705R | | 1 3/8" Z21 |
| | | 515890405R | | 1 3/4" Z6 |
| | | 515893805R | | 1 3/4" Z20 |
| 8 | | 408000047R02 | Taper pin | 1 3/8" Z6 - Z21 |
| | | 408000049R02 | | 1 3/4" Z6 - Z20 |
| 9 | | 248860005R02 | Pressure plate | Thickness = 8 mm |
| 10 | | 240000218R02 | Adjustment band | |
| 11 | | 367FT340A | Belleville spring | 1200 Nm |
| | | 367FT340C | | 1450 Nm |
| | | 367FT340D | | 1800 Nm |



For primary drivelines, always install any torque limiter or overrunning clutch on the implement side.
All rotating parts must be guarded.

FT34R

Non-adjustable setting

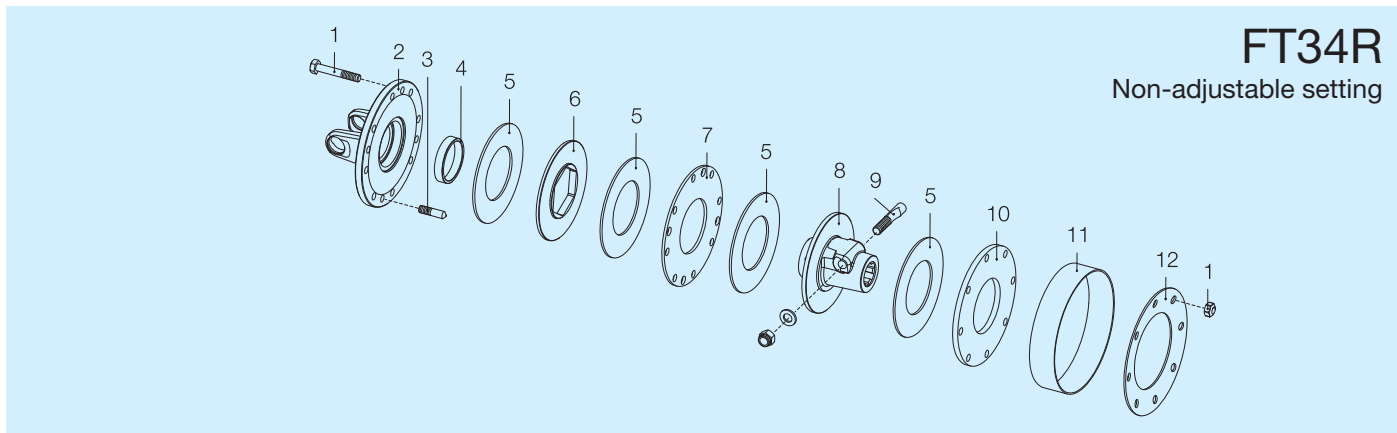


α is the joint angle at which the clutch will contact the shield.

| Size | Torque Nm | B (mm) | | | | F mm | G mm | α ° | Spare parts code | | | |
|------|--------------|----------------|-----------------|----------------|-----------------|---------|---------|---------------|------------------|------------|------------|------------|
| | | S 1 3/8" Z6 | S 1 3/8" Z21 | S 1 3/4" Z6 | S 1 3/4" Z20 | | | | 1 3/8" Z6 | 1 3/8" Z21 | 1 3/4" Z6 | 1 3/4" Z20 |
| S6 | *1200 | 133 | 133 | 138 | 138 | 32 | 160 | 24° | 663G48E03R | 663G48E37R | 663G48E04R | 663G48E38R |
| | 1450 | | | | | | | | 663G53E03R | 663G53E37R | 663G53E04R | 663G53E38R |
| H7 | 1200 | 140 | 140 | 145 | 145 | 29 | 160 | 28° | 663H48E03R | 663H48E37R | 663H48E04R | 663H48E38R |
| | *1450 | | | | | | | | 663H53E03R | 663H53E37R | 663H53E04R | 663H53E38R |
| | 1800 | | | | | | | | 663H58E03R | 663H58E37R | 663H58E04R | 663H58E38R |
| S8 | 1450 | 146 | 146 | 151 | 151 | 42 | 160 | 18° | 663L53E03R | 663L53E37R | 663L53E04R | 663L53E38R |
| | *1800 | | | | | | | | 663L58E03R | 663L58E37R | 663L58E04R | 663L58E38R |
| H8 | 1450 | 146 | 146 | 151 | 151 | 42 | 160 | 18° | 663L53E03R | 663L53E37R | 663L53E04R | 663L53E38R |
| | *1800 | | | | | | | | 663L58E03R | 663L58E37R | 663L58E04R | 663L58E38R |
| S9 | *1800 | 148 | 148 | 153 | 153 | 49 | 180 | 13° | 663M58E03R | 663M58E37R | 663M58E04R | 663M58E38R |

* Maximum recommended settings for 1000 min⁻¹ velocity

For primary drivelines, always install any torque limiter or overrunning clutch on the implement side. All rotating parts must be guarded.



FT34R

Non-adjustable setting

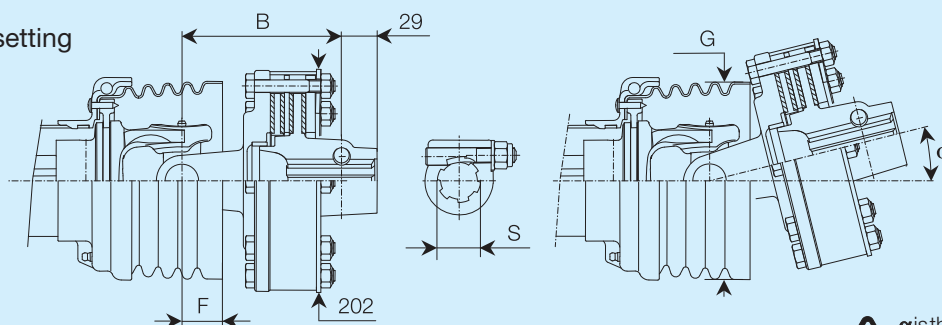
| Ref. | Size | Spare parts code | Description | Technical data |
|------|---------|------------------|-------------------------------|---------------------|
| 1 | | 432000045R08 | Bolt | M10 x 65 mm |
| 2 | S6 | 2530G8605R | Flange yoke | |
| | H7 | 2530H8605R | | |
| | S8 - H8 | 2530L8605R | | |
| | S9 | 2530M8605R | | |
| 3 | | 310001301R04 | Special socket head set screw | M10 x 40 mm |
| 4 | | 258005320R02 | Bushing | |
| 5 | | 247006251R08 | Friction lining | D = 141 ; d = 77 mm |
| 6 | | 248727702R02 | Driving plate | |
| 7 | | 248860006R02 | Inner plate | Thickness = 4 mm |
| 8 | | 515890305R | Hub with taper pin | 1 3/8" Z6 |
| | | 515893705R | | 1 3/8" Z21 |
| | | 515890405R | | 1 3/4" Z6 |
| | | 515893805R | | 1 3/4" Z20 |
| 9 | | 408000047R02 | Taper pin | 1 3/8" Z6 - Z21 |
| | | 408000049R02 | | 1 3/4" Z6 - Z20 |
| 10 | | 248860005R02 | Pressure plate | Thickness = 8 mm |
| 11 | | 240000218R02 | Adjustment band | |
| 12 | | 367FT340A | Belleville spring | 1200 Nm |
| | | 367FT340C | | 1450 Nm |
| | | 367FT340D | | 1800 Nm |



For primary drivelines, always install any torque limiter or overrunning clutch on the implement side.
All rotating parts must be guarded.

FT44

Non-adjustable setting

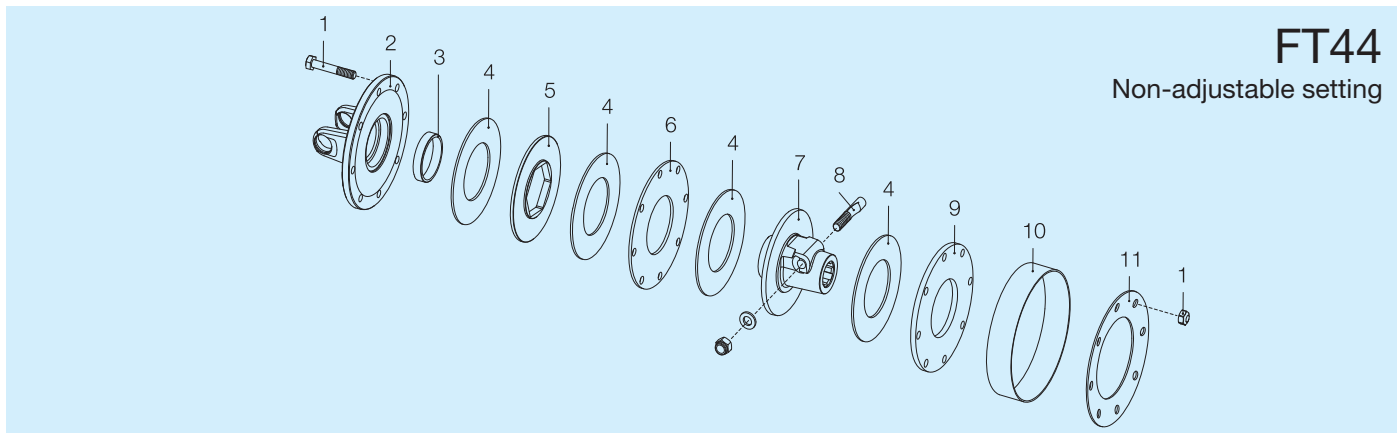


α is the joint angle at which the clutch will contact the shield.

| Size | Torque Nm | B (mm) | | | | F mm | G mm | α ° | Spare parts code | | | |
|------|--------------|----------------|-----------------|----------------|-----------------|---------|---------|---------------|------------------|------------|------------|------------|
| | | S 1 3/8" Z6 | S 1 3/8" Z21 | S 1 3/4" Z6 | S 1 3/4" Z20 | | | | 1 3/8" Z6 | 1 3/8" Z21 | 1 3/4" Z6 | 1 3/4" Z20 |
| S8 | *1800 | 147 | 147 | 152 | 152 | 42 | 160 | 17° | 663L58503R | 663L58537R | 663L58504R | 663L58538R |
| | 2200 | | | | | | | | 663L62503R | 663L62537R | 663L62504R | 663L62538R |
| H8 | *1800 | 147 | 147 | 152 | 152 | 42 | 160 | 17° | 663L58503R | 663L58537R | 663L58504R | 663L58538R |
| | 2200 | | | | | | | | 663L62503R | 663L62537R | 663L62504R | 663L62538R |
| | 2400 | | | | | | | | 663L64503R | 663L64537R | 663L64504R | 663L64538R |
| | 2600 | | | | | | | | 663L66503R | 663L66537R | 663L66504R | 663L66538R |
| S9 | 1800 | 149 | 149 | 154 | 154 | 49 | 180 | 18° | 663M58503R | 663M58537R | 663M58504R | 663M58538R |
| | *2200 | | | | | | | | 663M62503R | 663M62537R | 663M62504R | 663M62538R |
| | 2400 | | | | | | | | 663M64503R | 663M64537R | 663M64504R | 663M64538R |
| | 2600 | | | | | | | | 663M66503R | 663M66537R | 663M66504R | 663M66538R |
| SH | 2200 | 150 | 150 | 155 | 155 | 50 | 201 | 12° | 663N62503R | 663N62537R | 663N62504R | 663N62538R |
| | *2400 | | | | | | | | 663N64503R | 663N64537R | 663N64504R | 663N64538R |
| | 2600 | | | | | | | | 663N66503R | 663N66537R | 663N66504R | 663N66538R |
| S0 | 2200 | 163 | 163 | 168 | 168 | 46 | 201 | 21° | 663S62503R | 663S62537R | 663S62504R | 663S62538R |
| | 2400 | | | | | | | | 663S64503R | 663S64537R | 663S64504R | 663S64538R |
| | *2600 | | | | | | | | 663S66503R | 663S66537R | 663S66504R | 663S66538R |

* Maximum recommended settings for 1000 min⁻¹ velocity

For primary drivelines, always install any torque limiter or overrunning clutch on the implement side. All rotating parts must be guarded.



FT44

Non-adjustable setting

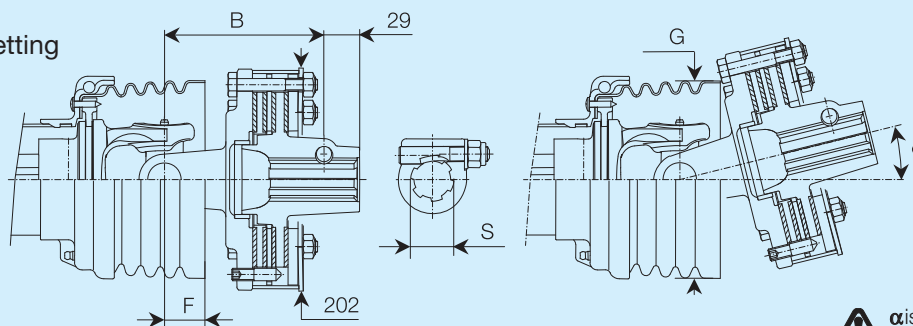
| Ref. | Size | Spare parts code | Description | Technical data |
|------|---------|------------------|--------------------|---------------------|
| 1 | | 432000100R08 | Bolt | M10 x 55 mm |
| 2 | S8 - H8 | 253078702R | Flange yoke | |
| | S9 | 253089001R | | |
| | SH | 2530N9001R | | |
| | S0 | 2530S1F01R | | |
| 3 | | 258005320R02 | Bushing | |
| 4 | | 247006351R08 | Friction lining | D = 162 ; d = 85 mm |
| 5 | | 248737702R02 | Driving plate | |
| 6 | | 248870011R02 | Inner plate | Thickness = 4 mm |
| 7 | | 515900305R | Hub with taper pin | 1 3/8" Z6 |
| | | 515903705R | | 1 3/8" Z21 |
| | | 515900405R | | 1 3/4" Z6 |
| | | 515903805R | | 1 3/4" Z20 |
| 8 | | 408000047R02 | Taper pin | 1 3/8" Z6 - Z21 |
| | | 408000046R02 | | 1 3/4" Z6 - 21 |
| 9 | | 248870005R | Pressure plate | Thickness = 8 mm |
| 10 | | 240000219R02 | Adjustment band | |
| 11 | | 367FT440A | Belleville spring | 1800 Nm |
| | | 367FT440C | | 2200 Nm |
| | | 367FT440D | | 2400 Nm |
| | | 367FT440E | | 2600 Nm |



For primary drivelines, always install any torque limiter or overrunning clutch on the implement side.
All rotating parts must be guarded.

FT44R

Non-adjustable setting

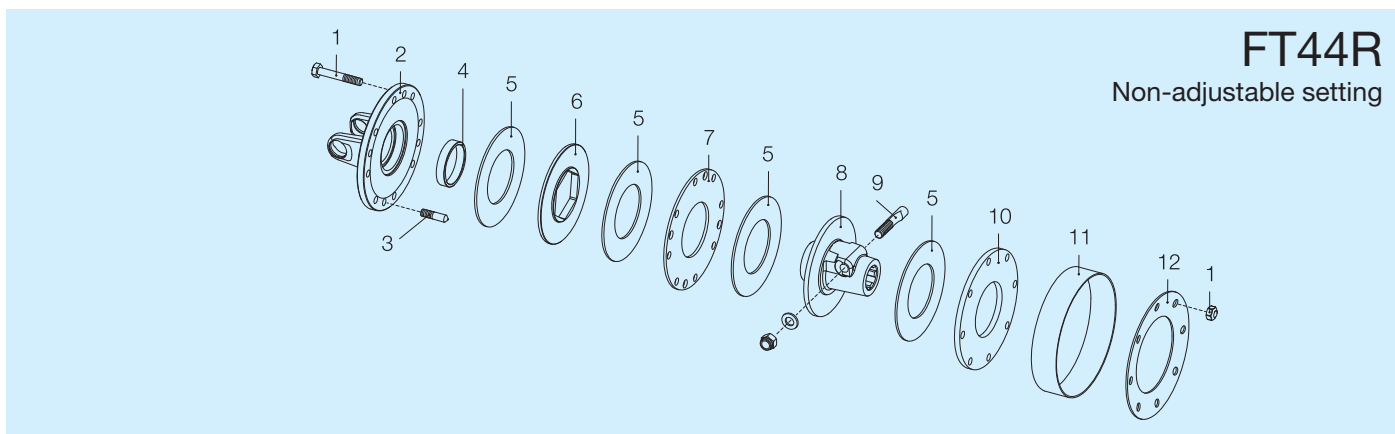


α is the joint angle at which the clutch will contact the shield.

| Size | Torque Nm | B (mm) | | | | F mm | G mm | α ° | Spare parts code | | | |
|------|--------------|----------------|-----------------|----------------|-----------------|---------|---------|---------------|------------------|------------|------------|------------|
| | | S 1 3/8" Z6 | S 1 3/8" Z21 | S 1 3/4" Z6 | S 1 3/4" Z20 | | | | 1 3/8" Z6 | 1 3/8" Z21 | 1 3/4" Z6 | 1 3/4" Z20 |
| S8 | *1800 | 147 | 147 | 152 | 152 | 42 | 160 | 17° | 663L58G03R | 663L58G37R | 663L58G04R | 663L58G38R |
| | 2200 | | | | | | | | 663L62G03R | 663L62G37R | 663L62G04R | 663L62G38R |
| H8 | *1800 | 147 | 147 | 152 | 152 | 42 | 160 | 17° | 663L58G03R | 663L58G37R | 663L58G04R | 663L58G38R |
| | 2200 | | | | | | | | 663L62G03R | 663L62G37R | 663L62G04R | 663L62G38R |
| | 2400 | | | | | | | | 663L64G03R | 663L64G37R | 663L64G04R | 663L64G38R |
| | 2600 | | | | | | | | 663L66G03R | 663L66G37R | 663L66G04R | 663L66G38R |
| S9 | 1800 | 149 | 149 | 154 | 154 | 49 | 180 | 18° | 663M58G03R | 663M58G37R | 663M58G04R | 663M58G38R |
| | *2200 | | | | | | | | 663M62G03R | 663M62G37R | 663M62G04R | 663M62G38R |
| | 2400 | | | | | | | | 663M64G03R | 663M64G37R | 663M64G04R | 663M64G38R |
| | 2600 | | | | | | | | 663M66G03R | 663M66G37R | 663M66G04R | 663M66G38R |
| SH | 2200 | 150 | 150 | 155 | 155 | 50 | 201 | 12° | 663N62G03R | 663N62G37R | 663N62G04R | 663N62G38R |
| | *2400 | | | | | | | | 663N64G03R | 663N64G37R | 663N64G04R | 663N64G38R |
| | 2600 | | | | | | | | 663N66G03R | 663N66G37R | 663N66G04R | 663N66G38R |
| S0 | 2200 | 163 | 163 | 168 | 168 | 46 | 201 | 21° | 663S62G03R | 663S62G37R | 663S62G04R | 663S62G38R |
| | 2400 | | | | | | | | 663S64G03R | 663S64G37R | 663S64G04R | 663S64G38R |
| | *2600 | | | | | | | | 663S66G03R | 663S66G37R | 663S66G04R | 663S66G38R |

* Maximum recommended settings for 1000 min⁻¹ velocity

For primary drivelines, always install any torque limiter or overrunning clutch on the implement side.
All rotating parts must be guarded.

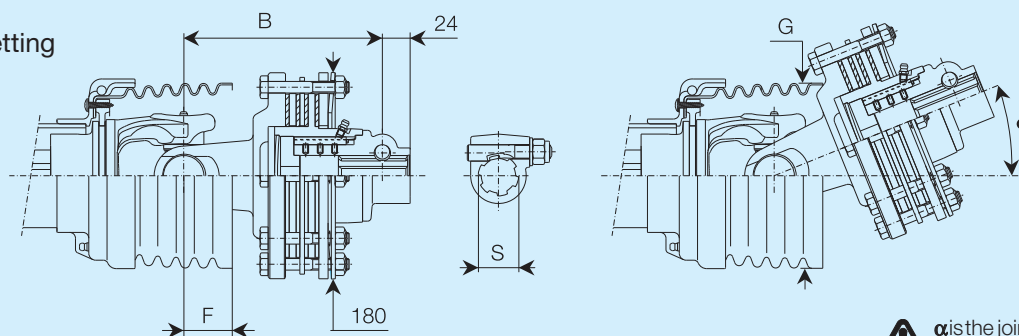


| Ref. | Size | Spare parts code | Description | Technical data |
|------|---------|------------------|-------------------------------|---------------------|
| 1 | | 432000100R08 | Bolt | M10 x 70 mm |
| 2 | S8 - H8 | 2530L8705R | Flange yoke | |
| | S9 | 2530M8705R | | |
| | SH | 2530N8705R | | |
| | S0 | 2530S8705R | | |
| 3 | | 310001301R04 | Special socket head set screw | M10 x 40 mm |
| 4 | | 258005320R02 | Bushing | |
| 5 | | 247006351R08 | Friction lining | D = 162 ; d = 85 mm |
| 6 | | 248737702R02 | Driving plate | |
| 7 | | 248870013R02 | Inner plate | Thickness = 4 mm |
| 8 | | 515900305R | Hub with taper pin | 1 3/8" Z6 |
| | | 515903705R | | 1 3/8" Z21 |
| | | 515900405R | | 1 3/4" Z6 |
| | | 515903805R | | 1 3/4" Z20 |
| 9 | | 408000047R02 | Taper pin | 1 3/8" Z6 - Z21 |
| | | 408000046R02 | | 1 3/4" Z6 - Z20 |
| 10 | | 248870005R | Pressure plate | Thickness = 8 mm |
| 11 | | 240000219R02 | Adjustment band | |
| 12 | | 367FT440A | Belleville spring | 1800 Nm |
| | | 367FT440C | | 2200 Nm |
| | | 367FT440D | | 2400 Nm |
| | | 367FT440E | | 2600 Nm |

For primary drivelines, always install any torque limiter or overrunning clutch on the implement side. All rotating parts must be guarded.

FNV34

Adjustable setting

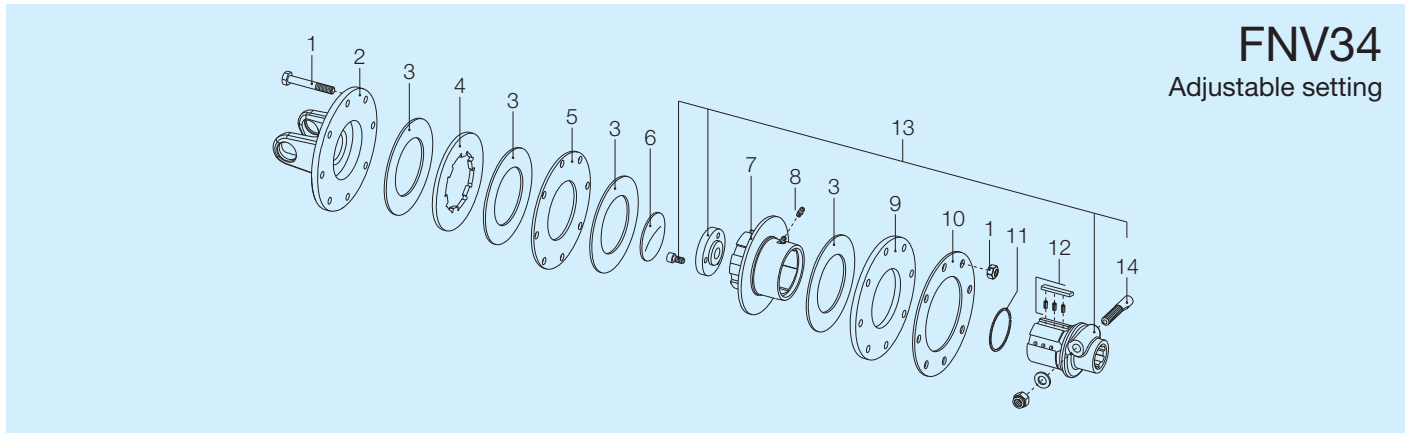


α is the joint angle at which the clutch will contact the shield.

| Size | Torque Nm | B (mm) | | F mm | G mm | α ° | Spare parts code | |
|------|--------------|----------------|-----------------|---------|---------|---------------|------------------|------------|
| | | S 1 3/8" Z6 | S 1 3/8" Z21 | | | | 1 3/4" Z6 | 1 3/4" Z20 |
| S6 | *1200 | 158 | 158 | 32 | 160 | 24° | 665G48103R | 665G48137R |
| | 1350 | | | | | | 665G51103R | 665G51137R |
| | 1450 | | | | | | 665G53103R | 665G53137R |
| | 1600 | | | | | | 665G56103R | 665G56137R |
| H7 | 1200 | 166 | 166 | 29 | 160 | 28° | 665H48103R | 665H48137R |
| | 1350 | | | | | | 665H51103R | 665H51137R |
| | *1450 | | | | | | 665H53103R | 665H53137R |
| | 1600 | | | | | | 665H56103R | 665H56137R |
| | 1800 | | | | | | 665H58103R | 665H58137R |
| S8 | 1350 | 172 | 172 | 42 | 160 | 18° | 665L51103R | 665L51137R |
| | 1450 | | | | | | 665L53103R | 665L53137R |
| | 1600 | | | | | | 665L56103R | 665L56137R |
| | *1800 | | | | | | 665L58103R | 665L58137R |
| | 2000 | | | | | | 665L60103R | 665L60137R |
| H8 | 1350 | 172 | 172 | 42 | 160 | 18° | 665L51103R | 665L51137R |
| | 1450 | | | | | | 665L53103R | 665L53137R |
| | 1600 | | | | | | 665L56103R | 665L56137R |
| | *1800 | | | | | | 665L58103R | 665L58137R |
| | 2000 | | | | | | 665L60103R | 665L60137R |
| S9 | *1800 | 174 | 174 | 49 | 180 | 13° | 665M58103R | 665M58137R |
| | 2000 | | | | | | 665M60103R | 665M60137R |

* Maximum recommended settings for 1000 min⁻¹ velocity

For primary drivelines, always install any torque limiter or overrunning clutch on the implement side.
All rotating parts must be guarded.



FNV34
Adjustable setting

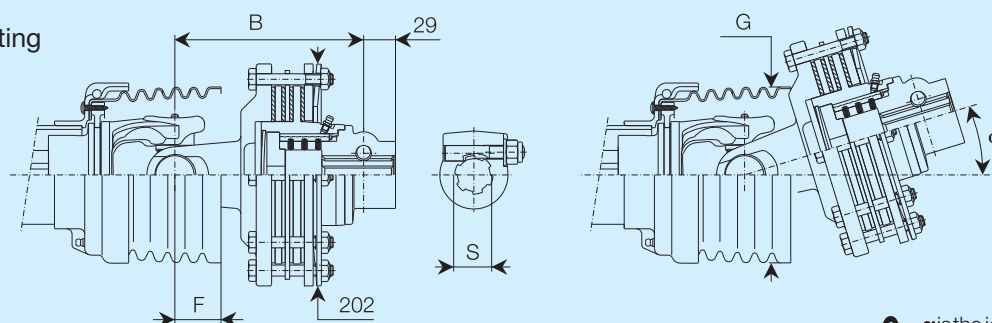
| Ref. | Size | Spare parts code | Description | Technical data |
|------|---------|------------------|----------------------------|---------------------|
| 1 | | 432000114R08 | Bolt | M 10 x 75 mm |
| 2 | S6 | 2530G1L01R | Flange yoke | |
| | H7 | 2530H1L01R | | |
| | S8 - H8 | 2530L1L01R | | |
| | S9 | 2530M1L01R | | |
| 3 | | 247000054R08 | Friction lining | D = 140 ; d = 85 mm |
| 4 | | 2481L0003R02 | Driving plate | |
| 5 | | 2481L0001R02 | Inner plate | Thickness = 4 mm |
| 6 | | 240000746R05 | Locking plate | |
| 7 | | 4271L0101R | Overrunning clutch housing | |
| 8 | | 348017000R20 | Grease fitting | |
| 9 | | 2481L0005R02 | Pressure plate | Thickness = 8 mm |
| 10 | | 367008860R | Belleville spring | 1200 Nm |
| 11 | | 339002060R20 | Snap ring | |
| 12 | | 4211L0001R06 | Pawl + springs kit | |
| 13 | | 5151L0351R | Hub with taper pin | 1 3/8" Z6 |
| | | 5151L3751R | | 1 3/8" Z21 |
| 14 | | 408000047R02 | Taper pin | 1 3/8" Z6 - Z21 |



For primary drivelines, always install any torque limiter or overrunning clutch on the implement side.
All rotating parts must be guarded.

FNV44

Adjustable setting

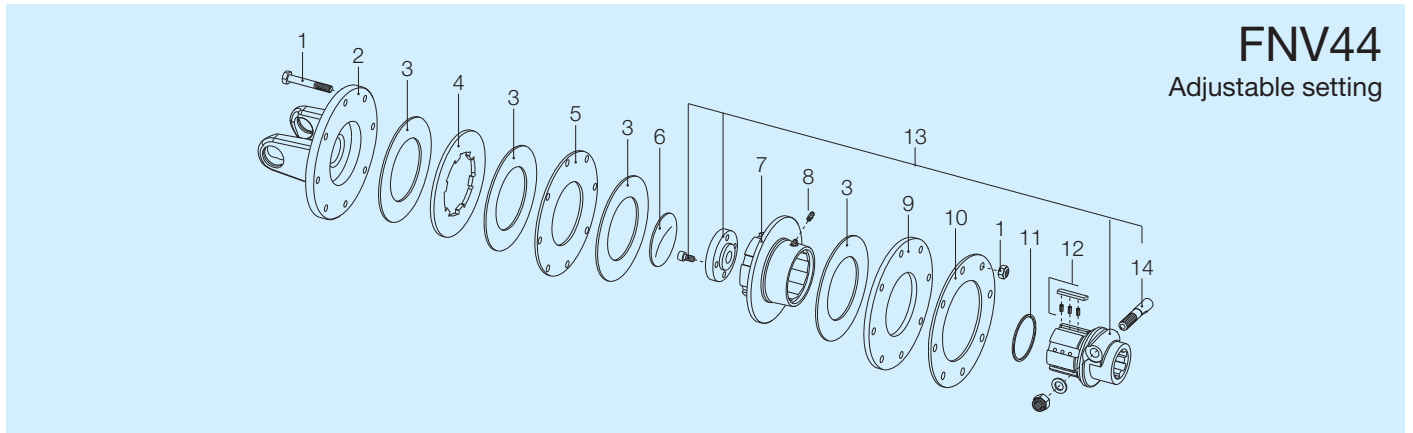


α is the joint angle at which the clutch will contact the shield.

| Size | Torque Nm | B (mm) | | | | F mm | G mm | α ° | Spare parts code | | | |
|-----------|--------------|----------------|-----------------|----------------|-----------------|---------|---------|---------------|------------------|------------|------------|------------|
| | | S 1 3/8" Z6 | S 1 3/8" Z21 | S 1 3/4" Z6 | S 1 3/4" Z20 | | | | 1 3/8" Z6 | 1 3/8" Z21 | 1 3/4" Z6 | 1 3/4" Z20 |
| S8 | *1800 | 175 | 175 | 175 | 175 | 42 | 160 | 17° | 665L58203R | 665L58237R | 665L58204R | 665L58238R |
| | 2000 | | | | | | | | 665L60203R | 665L60237R | 665L60204R | 665L60238R |
| | 2200 | | | | | | | | 665L62203R | 665L62237R | 665L62204R | 665L62238R |
| | 2400 | | | | | | | | 665L64203R | 665L64237R | 665L64204R | 665L64238R |
| H8 | *1800 | 175 | 175 | 175 | 175 | 42 | 160 | 17° | 665L58203R | 665L58237R | 665L58204R | 665L58238R |
| | 2000 | | | | | | | | 665L60203R | 665L60237R | 665L60204R | 665L60238R |
| | 2200 | | | | | | | | 665L62203R | 665L62237R | 665L62204R | 665L62238R |
| | 2400 | | | | | | | | 665L64203R | 665L64237R | 665L64204R | 665L64238R |
| | 2600 | | | | | | | | 665L66203R | 665L66237R | 665L66204R | 665L66238R |
| S9 | 1800 | 177 | 177 | 177 | 177 | 49 | 180 | 18° | 665M58203R | 665M58237R | 665M58204R | 665M58238R |
| | 2000 | | | | | | | | 665M60203R | 665M60237R | 665M60204R | 665M60238R |
| | *2200 | | | | | | | | 665M62203R | 665M62237R | 665M62204R | 665M62238R |
| | 2400 | | | | | | | | 665M64203R | 665M64237R | 665M64204R | 665M64238R |
| | 2600 | | | | | | | | 665M66203R | 665M66237R | 665M66204R | 665M66238R |
| SH | 2200 | 178 | 178 | 178 | 178 | 50 | 201 | 12° | 665N62203R | 665N62237R | 665N62204R | 665N62238R |
| | *2400 | | | | | | | | 665N64203R | 665N64237R | 665N64204R | 665N64238R |
| | 2600 | | | | | | | | 665N66203R | 665N66237R | 665N66204R | 665N66238R |
| | 2800 | | | | | | | | 665N68203R | 665N68237R | 665N68204R | 665N68238R |
| S0 | 2200 | 191 | 191 | 191 | 191 | 46 | 201 | 21° | 665S62203R | 665S62237R | 665S62204R | 665S62238R |
| | 2400 | | | | | | | | 665S64203R | 665S64237R | 665S64204R | 665S64238R |
| | *2600 | | | | | | | | 665S66203R | 665S66237R | 665S66204R | 665S66238R |
| | 2800 | | | | | | | | 665S68203R | 665S68237R | 665S68204R | 665S68238R |

* Maximum recommended settings for 1000 min⁻¹ velocity

For primary drivelines, always install any torque limiter or overrunning clutch on the implement side. All rotating parts must be guarded.



FNV44
Adjustable setting

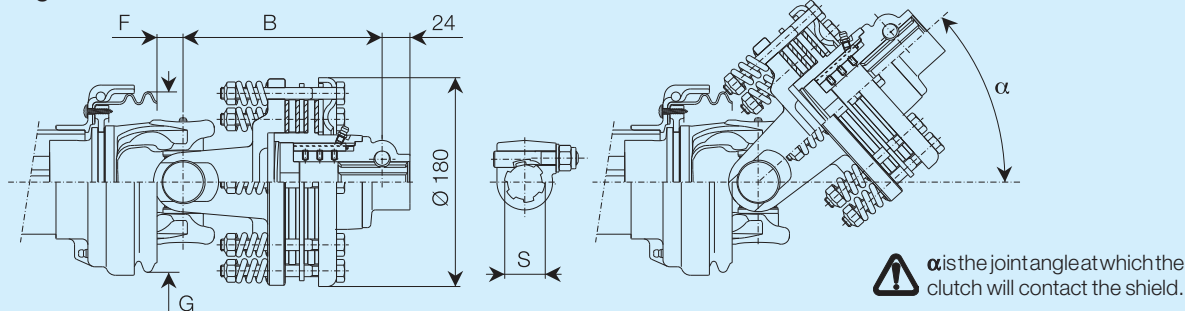
| Ref. | Size | Spare parts code | Description | Technical data |
|------|---------|------------------|----------------------------|---------------------|
| 1 | | 432000114R08 | Bolt | M 10 x 75 mm |
| 2 | S8 - H8 | 2530L1M01R | Flange yoke | |
| | S9 | 2530M1M01R | | |
| | SH | 2530N1M01R | | |
| | S0 | 2530S1M01R | | |
| 3 | | 247000061R08 | Friction lining | D = 160 ; d = 97 mm |
| 4 | | 2481M0001R02 | Driving plate | |
| 5 | | 2481M0002R02 | Inner plate | Thickness = 4 mm |
| 6 | | 240000748R05 | Locking plate | |
| 7 | | 4271M0101R | Overrunning clutch housing | |
| 8 | | 348017000R20 | Grease fitting | |
| 9 | | 2481H0004R02 | Pressure plate | Thickness = 8 mm |
| 10 | | 367009870R | Belleville spring | |
| 11 | | 339002068R20 | Snap ring | |
| 12 | | 4211L0001R06 | Pawl + springs kit | |
| 13 | | 5151M0351R | Hub with taper pin | 1 3/8" Z6 |
| | | 5151M3751R | | 1 3/8" Z21 |
| | | 5151M0451R | | 1 3/4" Z6 |
| | | 5151M3851R | | 1 3/4" Z20 |
| 14 | | 408000047R02 | Taper pin | 1 3/8" Z6 - Z21 |
| | | 408000046R02 | | 1 3/4" Z6 - Z20 |



For primary drivelines, always install any torque limiter or overrunning clutch on the implement side.
All rotating parts must be guarded.

FFNV34

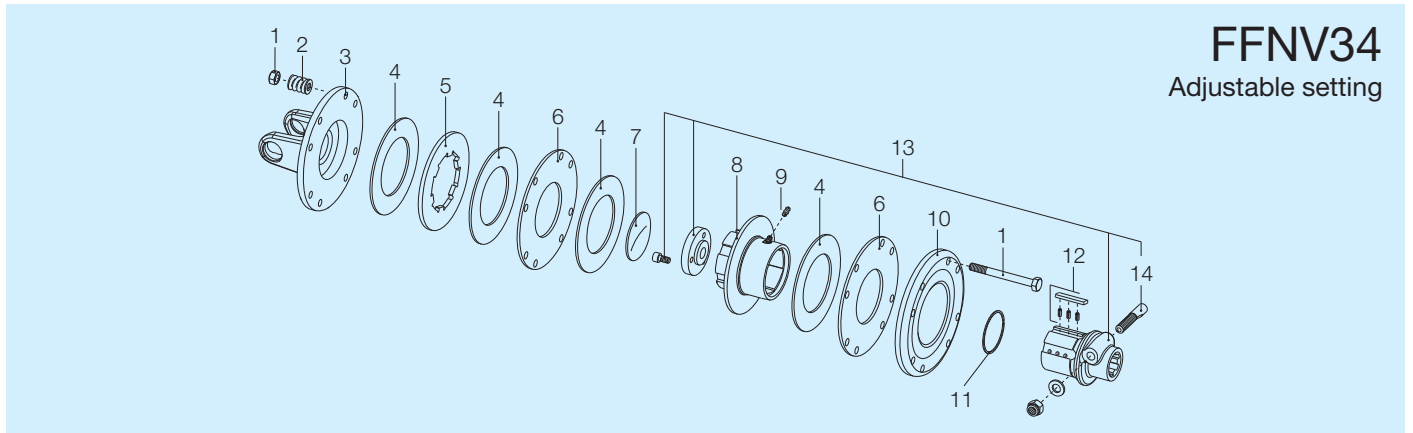
Adjustable setting



| Size | Torque Nm | B (mm) | | F mm | G mm | α ° | Spare parts code | |
|------|--------------|----------------|-----------------|---------|---------|---------------|------------------|------------|
| | | S 1 3/8" Z6 | S 1 3/8" Z21 | | | | 1 3/4" Z6 | 1 3/4" Z20 |
| S6 | *1200 | 158 | 158 | 19 | 156 | 30° | 667G48103R | 667G48137R |
| | 1350 | | | | | | 667G51103R | 667G51137R |
| | 1450 | | | | | | 667G53103R | 667G53137R |
| | 1600 | | | | | | 667G56103R | 667G56137R |
| H7 | 1200 | 166 | 166 | 23 | 156 | 38° | 667H48103R | 667H48137R |
| | 1350 | | | | | | 667H51103R | 667H51137R |
| | *1450 | | | | | | 667H53103R | 667H53137R |
| | 1600 | | | | | | 667H56103R | 667H56137R |
| | 1800 | | | | | | 667H58103R | 667H58137R |
| S8 | 1350 | 172 | 172 | 22 | 156 | 42° | 667L51103R | 667L51137R |
| | 1450 | | | | | | 667L53103R | 667L53137R |
| | 1600 | | | | | | 667L56103R | 667L56137R |
| | *1800 | | | | | | 667L58103R | 667L58137R |
| | 2000 | | | | | | 667L60103R | 667L60137R |
| H8 | 1350 | 172 | 172 | 22 | 156 | 42° | 667L51103R | 667L51137R |
| | 1450 | | | | | | 667L53103R | 667L53137R |
| | 1600 | | | | | | 667L56103R | 667L56137R |
| | *1800 | | | | | | 667L58103R | 667L58137R |
| | 2000 | | | | | | 667L60103R | 667L60137R |
| S9 | *1800 | 174 | 174 | 7 | 178 | 29° | 667M58103R | 667M58137R |
| | 2000 | | | | | | 667M60103R | 667M60137R |

* Maximum recommended settings for 1000 min⁻¹ velocity

For primary drivelines, always install any torque limiter or overrunning clutch on the implement side. All rotating parts must be guarded.



FFNV34
Adjustable setting

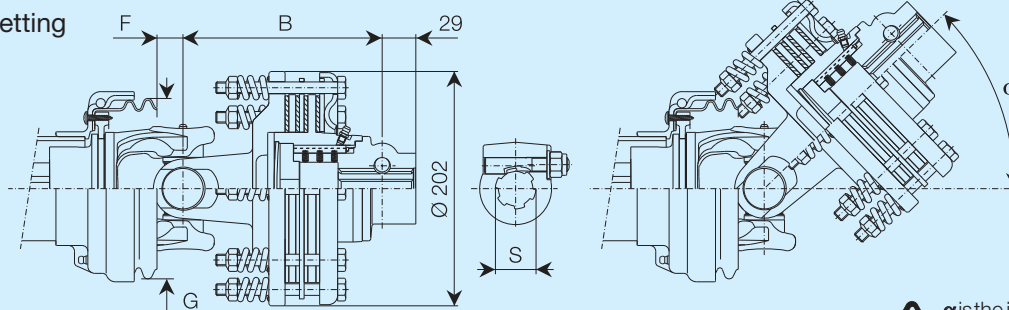
| Ref. | Size | Spare parts code | Description | Technical data |
|------|-------|------------------|----------------------------|---------------------|
| 1 | | 432000007R08 | Bolt | M10 x 100 mm |
| 2 | | 351022370R08 | Coil spring | f = 6 mm |
| 3 | S6 | 2530G1L05R | Flange yoke | |
| | H7 | 2530H1L05R | | |
| | S8-H8 | 2530L1L05R | | |
| | S9 | 2530M1L05R | | |
| 4 | | 247000054R08 | Friction lining | D = 140 ; d = 85 mm |
| 5 | | 2481L0003R02 | Driving plate | |
| 6 | | 2481L0007R02 | Inner plate | Thickness = 4 mm |
| 7 | | 240000746R05 | Locking plate | |
| 8 | | 4271L0101R | Overrunning clutch housing | |
| 9 | | 348017000R20 | Grease fitting | |
| 10 | | 248220007R02 | Pressure plate | |
| 11 | | 339002060R20 | Snap ring | |
| 12 | | 4211L0001R06 | Pawl + springs kit | |
| | | | | |
| 13 | | 5151L0351R | Hub with taper pin | 1 3/8" Z6 |
| | | 5151L3751R | | 1 3/8" Z21 |
| 14 | | 408000047R02 | Taper pin | 1 3/8" Z6 - Z21 |



For primary drivelines, always install any torque limiter or overrunning clutch on the implement side.
All rotating parts must be guarded.

FFNV44

Adjustable setting

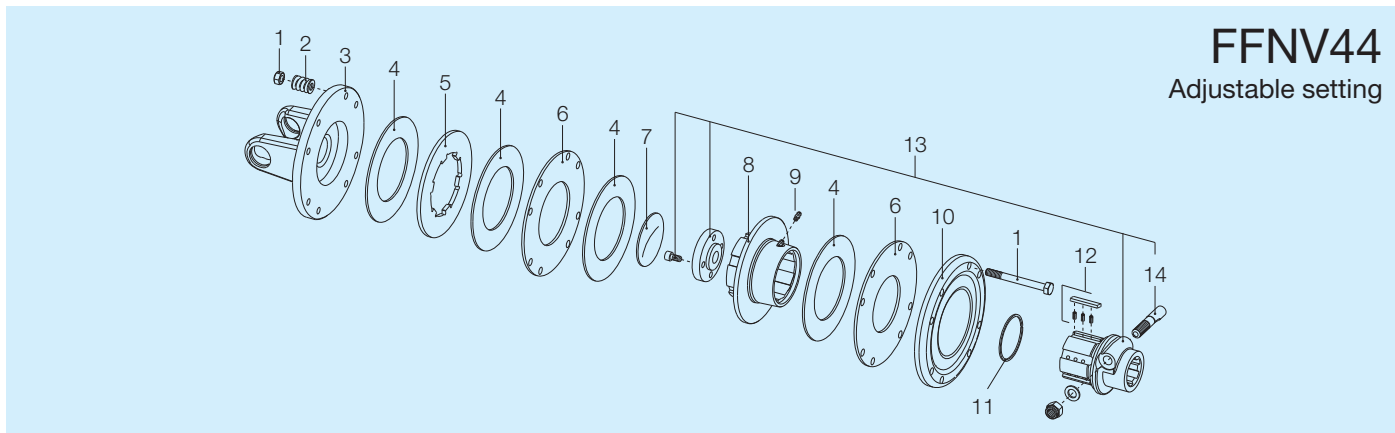


α is the joint angle at which the clutch will contact the shield.

| Size | Torque Nm | B (mm) | | | | F mm | G mm | α ° | Spare parts code | | | |
|-----------|--------------|----------------|-----------------|----------------|-----------------|---------|---------|--------|------------------|------------|------------|------------|
| | | S 1 3/8" Z6 | S 1 3/8" Z21 | S 1 3/4" Z6 | S 1 3/4" Z20 | | | | 1 3/8" Z6 | 1 3/8" Z21 | 1 3/4" Z6 | 1 3/4" Z20 |
| S8 | *1800 | 175 | 175 | 175 | 175 | 22 | 156 | 44° | 667L58203R | 667L58237R | 667L58204R | 667L58238R |
| | 2000 | | | | | | | | 667L60203R | 667L60237R | 667L60204R | 667L60238R |
| | 2200 | | | | | | | | 667L62203R | 667L62237R | 667L62204R | 667L62238R |
| | 2400 | | | | | | | | 667L64203R | 667L64237R | 667L64204R | 667L64238R |
| H8 | *1800 | 175 | 175 | 175 | 175 | 22 | 156 | 44° | 667L58203R | 667L58237R | 667L58204R | 667L58238R |
| | 2000 | | | | | | | | 667L60203R | 667L60237R | 667L60204R | 667L60238R |
| | 2200 | | | | | | | | 667L62203R | 667L62237R | 667L62204R | 667L62238R |
| | 2400 | | | | | | | | 667L64203R | 667L64237R | 667L64204R | 667L64238R |
| | 2600 | | | | | | | | 667L66203R | 667L66237R | 667L66204R | 667L66238R |
| S9 | 1800 | 177 | 177 | 177 | 177 | 7 | 178 | 27° | 667M58203R | 667M58237R | 667M58204R | 667M58238R |
| | 2000 | | | | | | | | 667M60203R | 667M60237R | 667M60204R | 667M60238R |
| | *2200 | | | | | | | | 667M62203R | 667M62237R | 667M62204R | 667M62238R |
| | 2400 | | | | | | | | 667M64203R | 667M64237R | 667M64204R | 667M64238R |
| | 2600 | | | | | | | | 667M66203R | 667M66237R | 667M66204R | 667M66238R |
| SH | 2200 | 178 | 178 | 178 | 178 | 6 | 199 | 23° | 667N62203R | 667N62237R | 667N62204R | 667N62238R |
| | *2400 | | | | | | | | 667N64203R | 667N64237R | 667N64204R | 667N64238R |
| | 2600 | | | | | | | | 667N66203R | 667N66237R | 667N66204R | 667N66238R |
| | 2800 | | | | | | | | 667N68203R | 667N68237R | 667N68204R | 667N68238R |
| S0 | 2200 | 191 | 191 | 191 | 191 | 10 | 199 | 32° | 667S62203R | 667S62237R | 667S62204R | 667S62238R |
| | 2400 | | | | | | | | 667S64203R | 667S64237R | 667S64204R | 667S64238R |
| | *2600 | | | | | | | | 667S66203R | 667S66237R | 667S66204R | 667S66238R |
| | 2800 | | | | | | | | 667S68203R | 667S68237R | 667S68204R | 667S68238R |

* Maximum recommended settings for 1000 min⁻¹ velocity

For primary drivelines, always install any torque limiter or overrunning clutch on the implement side.
All rotating parts must be guarded.



FFNV44

Adjustable setting

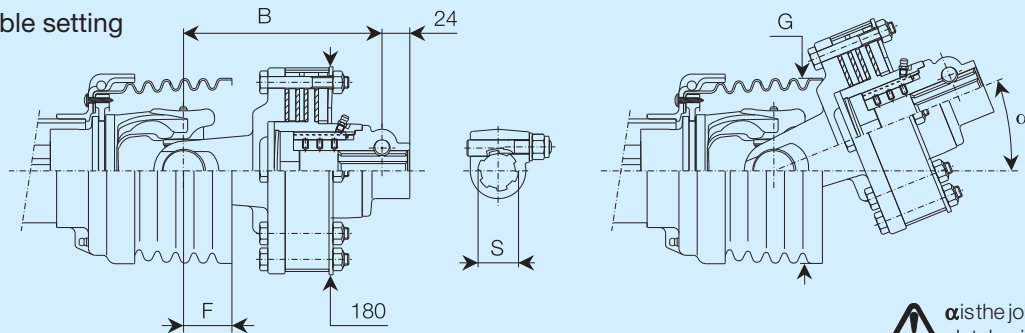
| Ref. | Size | Spare parts code | Description | Technical data |
|------|---------|------------------|----------------------------|---------------------|
| 1 | | 432000122R08 | Bolt | M10 x 105 mm |
| 2 | | 351013370R08 | Coil spring | f = 7 mm |
| 3 | S8 - H8 | 2530L1M05R | Flange yoke | |
| | S9 | 2530M1M05R | | |
| | SH | 2530N1M05R | | |
| | S0 | 2530S1M05R | | |
| 4 | | 247000061R08 | Friction lining | D = 160 ; d = 97 mm |
| 5 | | 2481M0001R02 | Driving plate | |
| 6 | | 2481M0007R02 | Inner plate | Thickness = 4 mm |
| 7 | | 240000748R05 | Locking plate | |
| 8 | | 4271M0101R | Overrunning clutch housing | |
| 9 | | 348017000R20 | Grease fitting | |
| 10 | | 248230006R02 | Pressure plate | |
| 11 | | 339002068R20 | Snap ring | |
| 12 | | 4211L0001R06 | Pawl + springs kit | |
| 13 | | 5151M0351R | Hub with taper pin | 1 3/8" Z6 |
| | | 5151M3751R | | 1 3/8" Z21 |
| | | 5151M0451R | | 1 3/4" Z6 |
| | | 5151M3851R | | 1 3/4" Z20 |
| 14 | | 408000047R02 | Taper pin | 1 3/8" Z6 - Z21 |
| | | 408000046R02 | | 1 3/4" Z6 - Z20 |



For primary drivelines, always install any torque limiter or overrunning clutch on the implement side.
All rotating parts must be guarded.

FNT34

Non-adjustable setting

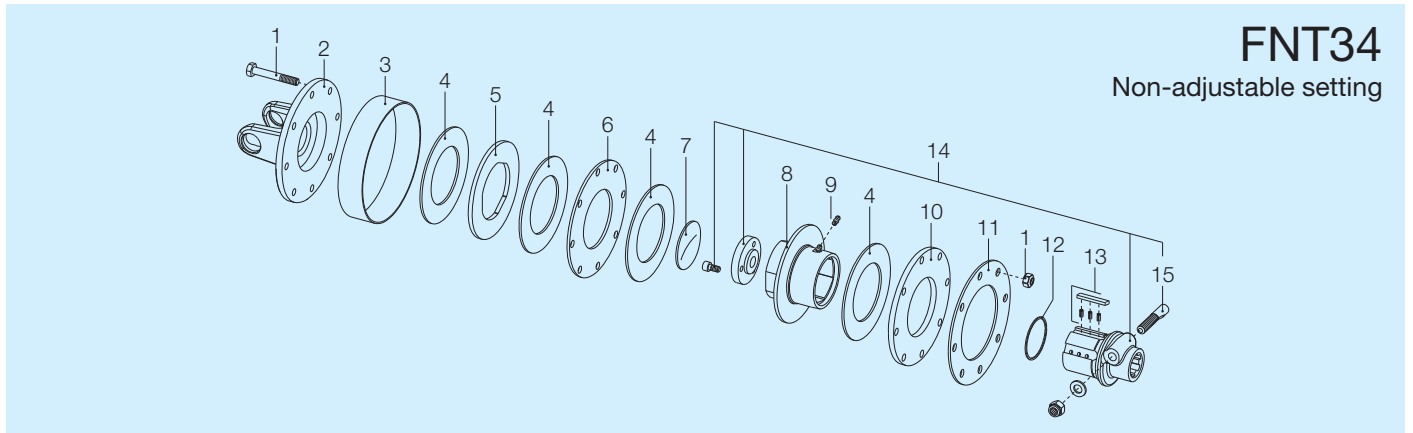


α is the joint angle at which the clutch will contact the shield.

| Size | Torque Nm | B (mm) | | | | F mm | G mm | α ° | Spare parts code | | | |
|------|--------------|----------------|-----------------|----------------|-----------------|---------|---------|---------------|------------------|------------|-----------|------------|
| | | S 1 3/8" Z6 | S 1 3/8" Z21 | S 1 3/4" Z6 | S 1 3/4" Z20 | | | | 1 3/8" Z6 | 1 3/8" Z21 | 1 3/4" Z6 | 1 3/4" Z20 |
| S6 | *1200 | 158 | 158 | --- | --- | 32 | 160 | 24° | 658G48103R | 658G48137R | --- | --- |
| | 1450 | | | | | | | | 658G53103R | 658G53137R | --- | --- |
| H7 | 1200 | 166 | 166 | --- | --- | 29 | 160 | 28° | 658H48103R | 658H48137R | --- | --- |
| | *1450 | | | | | | | | 658H53103R | 658H53137R | --- | --- |
| | 1800 | | | | | | | | 658H58103R | 658H58137R | --- | --- |
| S8 | 1450 | 172 | 172 | --- | --- | 42 | 160 | 18° | 658L53103R | 658L53137R | --- | --- |
| | *1800 | | | | | | | | 658L58103R | 658L58137R | --- | --- |
| H8 | 1450 | 172 | 172 | --- | --- | 42 | 160 | 18° | 658L53103R | 658L53137R | --- | --- |
| | *1800 | | | | | | | | 658L58103R | 658L58137R | --- | --- |
| S9 | *1800 | 174 | 174 | --- | --- | 49 | 180 | 13° | 658M58103R | 658M58137R | --- | --- |

* Maximum recommended settings for 1000 min⁻¹ velocity

For primary drivelines, always install any torque limiter or overrunning clutch on the implement side. All rotating parts must be guarded.



FNT34

Non-adjustable setting

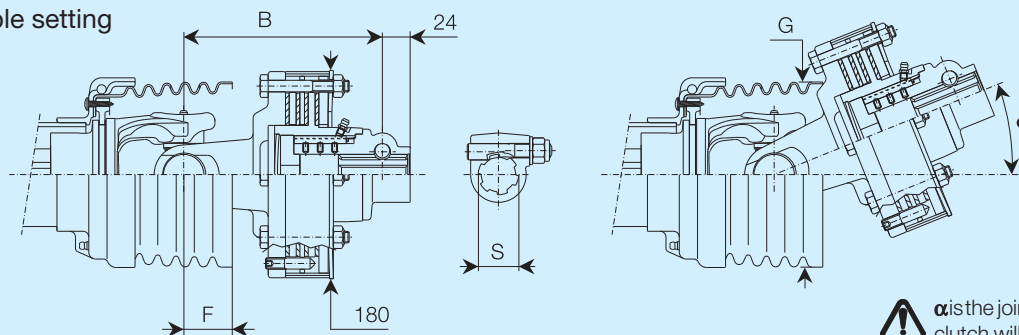
| Ref. | Size | Spare parts code | Description | Technical data |
|------|------|------------------|----------------------------|---------------------|
| 1 | | 432000045R08 | Bolt | M10 x 65 mm |
| 2 | S6 | 2530G1L01R | Flange yoke | |
| | H7 | 2530H1L01R | | |
| | S8 | 2530L1L01R | | |
| | S9 | 2530M1L01R | | |
| 3 | | 240000218R02 | Adjustment band | |
| 4 | | 247000054R08 | Friction lining | D = 140 ; d = 85 mm |
| 5 | | 2481L0003R02 | Driving plate | |
| 6 | | 2481L0001R02 | Inner plate | Thickness = 4 mm |
| 7 | | 240000746R05 | Locking plate | |
| 8 | | 4271L0101R | Overrunning clutch housing | |
| 9 | | 348017000R20 | Grease fitting | |
| 10 | | 2481L0002R02 | Pressure plate | Thickness = 8 mm |
| 11 | | 367FT340A | Belleville spring | 1200 Nm |
| | | 367FT340C | | 1450 Nm |
| | | 367FT340D | | 1800 Nm |
| 12 | | 339002060R20 | Snap ring | |
| 13 | | 4211L0001R06 | Pawl + springs kit | |
| 14 | | 5151L0351R | Hub with taper pin | 1 3/8" Z6 |
| | | 5151L3751R | | 1 3/8" Z21 |
| 15 | | 408000047R02 | Taper pin | 1 3/8" Z6 - Z21 |



For primary drivelines, always install any torque limiter or overrunning clutch on the implement side.
All rotating parts must be guarded.

FNT34R

Non-adjustable setting

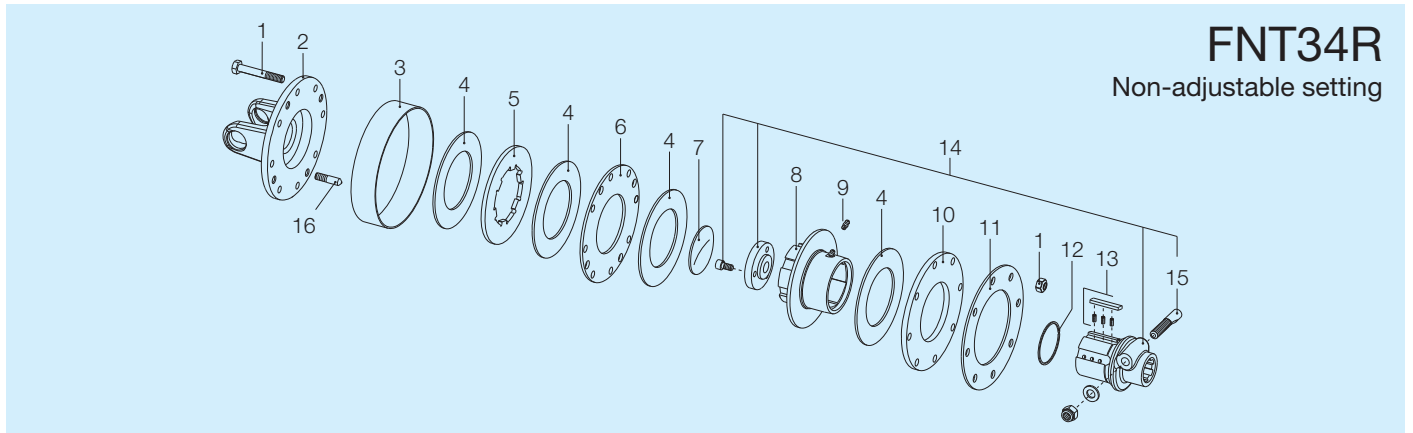


α is the joint angle at which the clutch will contact the shield.

| Size | Torque Nm | B (mm) | | | | F mm | G mm | α ° | Spare parts code | | | |
|------|--------------|----------------|-----------------|----------------|-----------------|---------|---------|---------------|------------------|------------|-----------|------------|
| | | S 1 3/8" Z6 | S 1 3/8" Z21 | S 1 3/4" Z6 | S 1 3/4" Z20 | | | | 1 3/8" Z6 | 1 3/8" Z21 | 1 3/4" Z6 | 1 3/4" Z20 |
| S6 | *1200 | 158 | 158 | --- | --- | 32 | 160 | 24° | 658G48203R | 658G48237R | --- | --- |
| | 1450 | | | | | | | | 658G53203R | 658G53237R | --- | --- |
| H7 | 1200 | 166 | 166 | --- | --- | 29 | 160 | 28° | 658H48203R | 658H48237R | --- | --- |
| | *1450 | | | | | | | | 658H53203R | 658H53237R | --- | --- |
| | 1800 | | | | | | | | 658H58203R | 658H58237R | --- | --- |
| S8 | 1450 | 172 | 172 | --- | --- | 42 | 160 | 18° | 658L53203R | 658L53237R | --- | --- |
| | *1800 | | | | | | | | 658L58203R | 658L58237R | --- | --- |
| H8 | 1450 | 172 | 172 | --- | --- | 42 | 160 | 18° | 658L53203R | 658L53237R | --- | --- |
| | *1800 | | | | | | | | 658L58203R | 658L58237R | --- | --- |
| S9 | *1800 | 174 | 174 | --- | --- | 49 | 180 | 13° | 658M58203R | 658M58237R | --- | --- |

* Maximum recommended settings for 1000 min⁻¹ velocity

For primary drivelines, always install any torque limiter or overrunning clutch on the implement side. All rotating parts must be guarded.



FNT34R

Non-adjustable setting

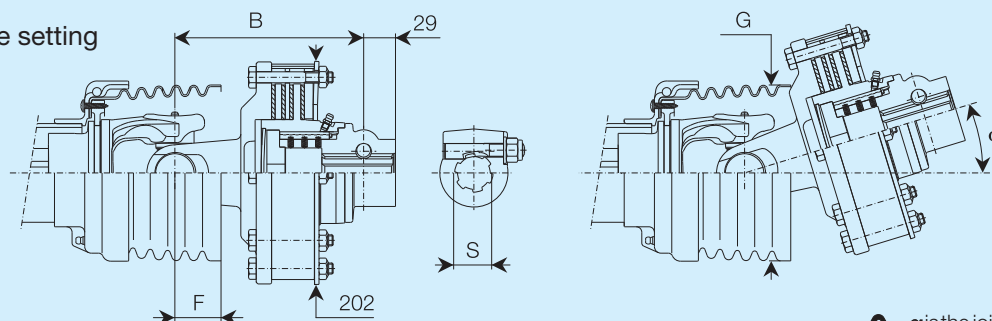
| Ref. | Size | Spare parts code | Description | Technical data |
|------|---------|------------------|-------------------------------|---------------------|
| 1 | | 432000045R08 | Bolt | M10 x 70 mm |
| 2 | S6 | 2530G1L02R | Flange yoke | |
| | H7 | 2530H1L02R | | |
| | S8 - H8 | 2530L1L02R | | |
| | S9 | 2530M1L02R | | |
| 3 | | 240000218R02 | Adjustment band | |
| 4 | | 247000054R08 | Friction lining | D = 140 ; d = 85 mm |
| 5 | | 2481L0003R02 | Driving plate | |
| 6 | | 2481L0004R02 | Inner plate | Thickness = 4 mm |
| 7 | | 240000746R05 | Locking plate | |
| 8 | | 4271L0101R | Overrunning clutch housing | |
| 9 | | 348017000R20 | Grease fitting | |
| 10 | | 2481L0002R02 | Pressure plate | Thickness = 8 mm |
| 11 | | 367FT340A | Belleville spring | 1200 Nm |
| | | 367FT340C | | 1450 Nm |
| | | 367FT340D | | 1800 Nm |
| 12 | | 339002060R20 | Snap ring | |
| 13 | | 4211L0001R06 | Pawl + springs kit | |
| 14 | | 5151L0351R | Hub with taper pin | 1 3/8" Z6 |
| | | 5151L3751R | | 1 3/8" Z21 |
| 15 | | 408000047R02 | Taper pin | 1 3/8" Z6 - Z21 |
| 16 | | 310001301R04 | Special socket head set screw | M 10 x 40 mm |



For primary drivelines, always install any torque limiter or overrunning clutch on the implement side.
All rotating parts must be guarded.

FNT44

Non-adjustable setting

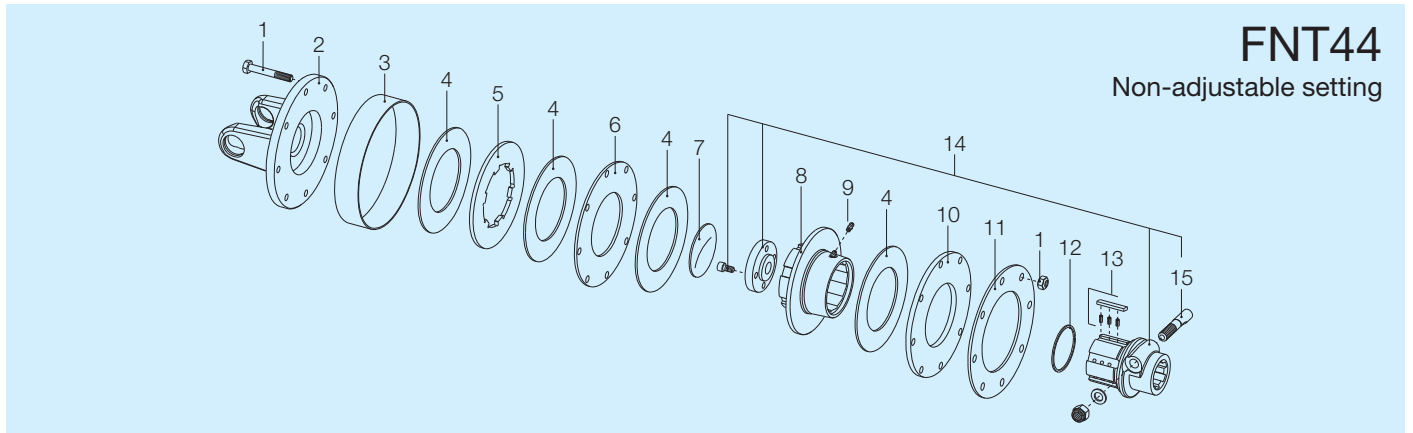


α is the joint angle at which the clutch will contact the shield.

| Size | Torque Nm | B (mm) | | | | F mm | G mm | α ° | Spare parts code | | | |
|------|--------------|----------------|-----------------|----------------|-----------------|---------|---------|---------------|------------------|------------|------------|------------|
| | | S 1 3/8" Z6 | S 1 3/8" Z21 | S 1 3/4" Z6 | S 1 3/4" Z20 | | | | 1 3/8" Z6 | 1 3/8" Z21 | 1 3/4" Z6 | 1 3/4" Z20 |
| S8 | *1800 | 175 | 175 | 175 | 175 | 42 | 160 | 17° | 658L58303R | 658L58337R | 658L58304R | 658L58338R |
| | 2200 | | | | | | | | 658L62303R | 658L62337R | 658L62304R | 658L62338R |
| H8 | 1800 | 175 | 175 | 175 | 175 | 42 | 160 | 17° | 658L58303R | 658L58337R | 658L58304R | 658L58338R |
| | *2200 | | | | | | | | 658L62303R | 658L62337R | 658L62304R | 658L62338R |
| | 2400 | | | | | | | | 658L64303R | 658L64337R | 658L64304R | 658L64338R |
| | 2600 | | | | | | | | 658L66303R | 658L66337R | 658L66304R | 658L66338R |
| S9 | *1800 | 177 | 177 | 177 | 177 | 49 | 180 | 18° | 658M58303R | 658M58337R | 658M58304R | 658M58338R |
| | 2200 | | | | | | | | 658M62303R | 658M62337R | 658M62304R | 658M62338R |
| | 2400 | | | | | | | | 658M64303R | 658M64337R | 658M64304R | 658M64338R |
| | 2600 | | | | | | | | 658M66303R | 658M66337R | 658M66304R | 658M66338R |
| SH | 2200 | 178 | 178 | 178 | 178 | 50 | 201 | 12° | 658N62303R | 658N62337R | 658N62304R | 658N62338R |
| | *2400 | | | | | | | | 658N64303R | 658N64337R | 658N64304R | 658N64338R |
| | 2600 | | | | | | | | 658N66303R | 658N66337R | 658N66304R | 658N66338R |
| S0 | 2200 | 191 | 191 | 191 | 191 | 46 | 201 | 21° | 658S62303R | 658S62337R | 658S62304R | 658S62338R |
| | 2400 | | | | | | | | 658S64303R | 658S64337R | 658S64304R | 658S64338R |
| | *2600 | | | | | | | | 658S66303R | 658S66337R | 658S66304R | 658S66338R |

* Maximum recommended settings for 1000 min⁻¹ velocity

For primary drivelines, always install any torque limiter or overrunning clutch on the implement side. All rotating parts must be guarded.



FNT44

Non-adjustable setting

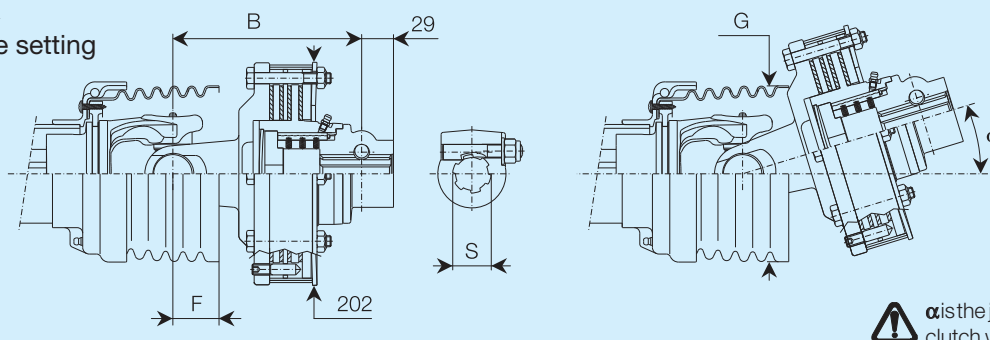
| Ref. | Size | Spare parts code | Description | Technical data |
|------|---------|------------------|-------------------------|---------------------|
| 1 | | 432000100R08 | Bolt | M 10 x 70 mm |
| 2 | S8 - H8 | 2530L1M01R | Flange yoke | |
| | S9 | 2530M1M01R | | |
| | SH | 2530N1M01R | | |
| | SO | 2530S1M01R | | |
| 3 | | 240000219R02 | Adjustment band | |
| 4 | | 247000061R08 | Friction lining | D = 160 ; d = 97 mm |
| 5 | | 2481M0001R02 | Driving plate | |
| 6 | | 2481M0002R02 | Inner plate | Thickness = 4 mm |
| 7 | | 240000748R05 | Locking plate | |
| 8 | | 4271M0101R | Overrunning clutch plug | |
| 9 | | 348017000R20 | Grease fitting | |
| 10 | | 2481H0003R02 | Pressure plate | Thickness = 8 mm |
| 11 | | 367FT440A | Belleville spring | 1800 Nm |
| | | 367FT440C | | 2200 Nm |
| | | 367FT440D | | 2400 Nm |
| | | 367FT440E | | 2600 Nm |
| 12 | | 339002068R20 | Snap ring | |
| 13 | | 4211L0001R06 | Pawl + springs kit | |
| 14 | | 5151M0351R | Hub with taper pin | 1 3/8" Z6 |
| | | 5151M3751R | | 1 3/8" Z21 |
| | | 5151M0451R | | 1 3/4" Z6 |
| | | 5151M3851R | | 1 3/4" Z20 |
| 15 | | 408000047R02 | Taper pin | 1 3/8" Z6 - Z21 |
| | | 408000046R02 | | 1 3/4" Z6 - Z20 |



For primary drivelines, always install any torque limiter or overrunning clutch on the implement side.
All rotating parts must be guarded.

FNT44R

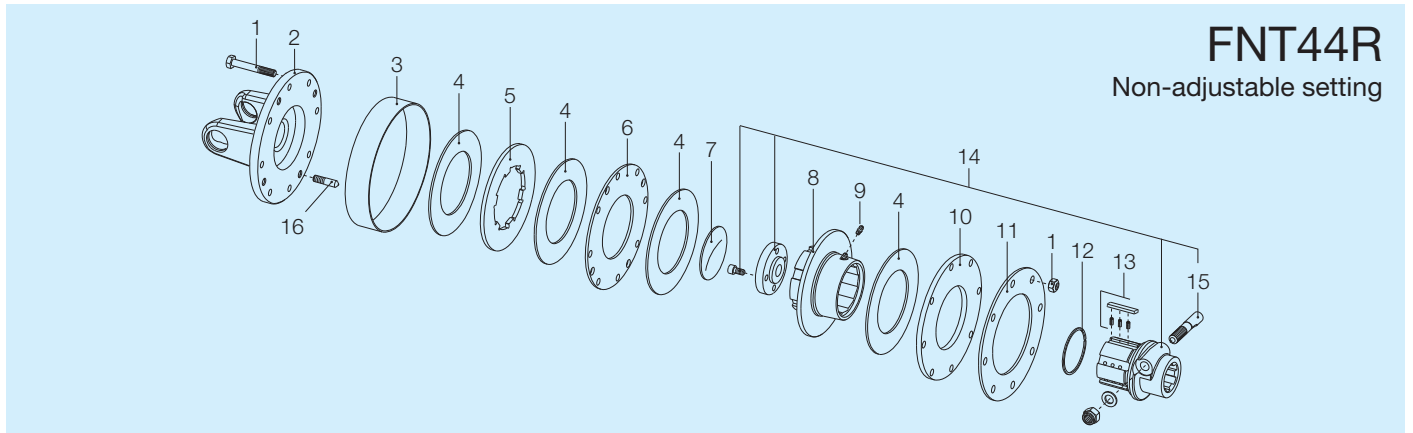
Non-adjustable setting



| Size | Torque Nm | B (mm) | | | | F mm | G mm | α ° | Spare parts code | | | |
|------|--------------|----------------|-----------------|----------------|-----------------|---------|---------|---------------|------------------|------------|------------|------------|
| | | S 1 3/8" Z6 | S 1 3/8" Z21 | S 1 3/4" Z6 | S 1 3/4" Z20 | | | | 1 3/8" Z6 | 1 3/8" Z21 | 1 3/4" Z6 | 1 3/4" Z20 |
| S8 | *1800 | 175 | 175 | 175 | 175 | 42 | 160 | 17° | 658L58403R | 658L58437R | 658L58404R | 658L58438R |
| | 2200 | | | | | | | | 658L62403R | 658L62437R | 658L62404R | 658L62438R |
| H8 | 1800 | 175 | 175 | 175 | 175 | 42 | 160 | 17° | 658L58403R | 658L58437R | 658L58404R | 658L58438R |
| | *2200 | | | | | | | | 658L62403R | 658L62437R | 658L62404R | 658L62438R |
| | 2400 | | | | | | | | 658L64403R | 658L64437R | 658L64404R | 658L64438R |
| | 2600 | | | | | | | | 658L66403R | 658L66437R | 658L66404R | 658L66438R |
| S9 | 1800 | 177 | 177 | 177 | 177 | 49 | 180 | 18° | 658M58403R | 658M58437R | 658M58404R | 658M58438R |
| | *2200 | | | | | | | | 658M62403R | 658M62437R | 658M62404R | 658M62438R |
| | 2400 | | | | | | | | 658M64403R | 658M64437R | 658M64404R | 658M64438R |
| | 2600 | | | | | | | | 658M66403R | 658M66437R | 658M66404R | 658M66438R |
| SH | 2200 | 178 | 178 | 178 | 178 | 50 | 201 | 12° | 658N62403R | 658N62437R | 658N62404R | 658N62438R |
| | *2400 | | | | | | | | 658N64403R | 658N64437R | 658N64404R | 658N64438R |
| | 2600 | | | | | | | | 658N66403R | 658N66437R | 658N66404R | 658N66438R |
| S0 | 2200 | 191 | 191 | 191 | 191 | 46 | 201 | 21° | 658S62403R | 658S62437R | 658S62404R | 658S62438R |
| | 2400 | | | | | | | | 658S64403R | 658S64437R | 658S64404R | 658S64438R |
| | *2600 | | | | | | | | 658S66403R | 658S66437R | 658S66404R | 658S66438R |

* Maximum recommended settings for 1000 min⁻¹ velocity

For primary drivelines, always install any torque limiter or overrunning clutch on the implement side. All rotating parts must be guarded.



FNT44R

Non-adjustable setting

| Ref. | Size | Spare parts code | Description | Technical data |
|------|---------|------------------|-------------------------------|---------------------|
| 1 | | 432000100R08 | Bolt | M 10 x 70 mm |
| 2 | S8 - H8 | 2530L1M02R | Flange yoke | |
| | S9 | 2530M1M02R | | |
| | SH | 2530N1M02R | | |
| | S0 | 2530S1M02R | | |
| 3 | | 240000219R02 | Adjustment band | |
| 4 | | 247000061R08 | Friction lining | D = 160 ; d = 97 mm |
| 5 | | 2481M0001R02 | Driving plate | |
| 6 | | 2481M0003R02 | Inner plate | Thickness = 4 mm |
| 7 | | 240000748R05 | Locking plate | |
| 8 | | 4271M0101R | Overrunning clutch housing | |
| 9 | | 348017000R20 | Grease fitting | |
| 10 | | 2481H0003R02 | Pressure plate | Thickness = 8 mm |
| 11 | | 367FT440A | Belleville spring | 1800 Nm |
| | | 367FT440C | | 2200 Nm |
| | | 367FT440D | | 2400 Nm |
| | | 367FT440E | | 2600 Nm |
| 12 | | 339002068R20 | Snap ring | |
| 13 | | 4211L0001R06 | Pawl + springs kit | |
| 14 | | 5151M0351R | Hub with taper pin | 1 3/8" Z6 |
| | | 5151M3751R | | 1 3/8" Z21 |
| | | 5151M0451R | | 1 3/4" Z6 |
| | | 5151M3851R | | 1 3/4" Z20 |
| 15 | | 408000047R02 | Taper pin | 1 3/8" Z6 - Z21 |
| | | 408000046R02 | | 1 3/4" Z6 - Z20 |
| 16 | | 310001301R04 | Special socket head set screw | M 10 x 40 mm |



For primary drivelines, always install any torque limiter or overrunning clutch on the implement side.
All rotating parts must be guarded.

Complete shield kits for spare parts

Complete shield kits for spare parts are sized to fit the drivelines on which they will be used.

The code for the shield kit length is the same code used for the driveline length.

Shield tubes can be cut to fit a specific driveline length, but the shield tubes should maintain sufficient overlap for all operating and transport conditions.

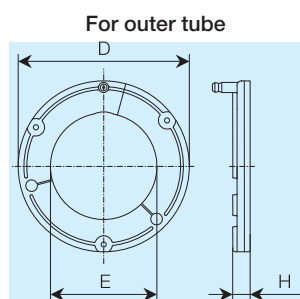
Safety labels and operator's manuals are included according to the standards and regulations of the country of destination. Shield kits are supplied with chains or with the Single Chain System, except for North America, where shield restraints are optional.

The standard connection of restraint chains to the shield is by means of an "S" hook for sizes S1 to S5. For larger sizes, the connection is made by the Spring Link device. Chains with Spring Link are available for smaller sizes as an option, by adding the letter "Z" to the end of the complete shield kit code.

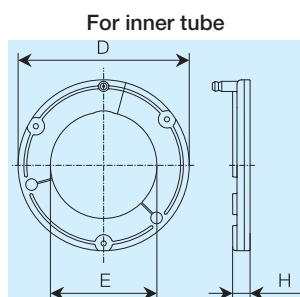
SFT drivelines and shields are tested to meet EN1152, EN ISO 5674, EN 12965 standards, and are CE certified. Complete shield kits are sold as spare parts and therefore, according to the Machinery Directive, do not require a CE mark. However, the mark can be applied on request.

Standards EN 12965 and ANSI/ASABE S604 require a 50 mm overlap of the driveline shield with the implement input connection shield.

Bearing ring for standard safety shields



| | D | E | H | Spare parts Code |
|----|-----|-----|----|------------------|
| | mm | mm | mm | |
| S1 | 100 | 59 | 12 | 2550A0001R02 |
| S2 | 118 | 73 | 12 | 2550C0001R02 |
| S4 | 118 | 73 | 12 | 2550C0001R02 |
| S5 | 118 | 73 | 12 | 2550C0001R02 |
| S6 | 132 | 89 | 12 | 2550G0001R02 |
| H7 | 132 | 89 | 12 | 2550G0001R02 |
| S8 | 132 | 89 | 12 | 2550G0001R02 |
| H8 | 132 | 89 | 12 | 2550G0001R02 |
| S9 | 144 | 99 | 12 | 2550L0001R02 |
| SH | 146 | 103 | 24 | 2550M0001R02 |
| S0 | 146 | 103 | 24 | 2550M0001R02 |

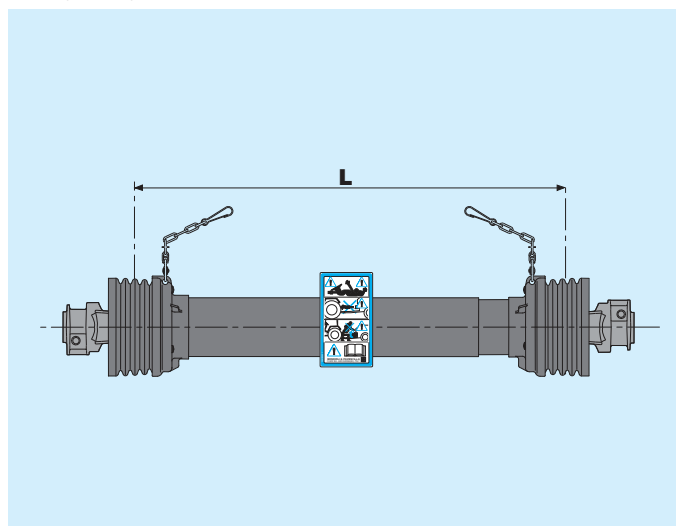


| | D | E | H | Spare parts Code |
|----|-----|-----|----|------------------|
| | mm | mm | mm | |
| S1 | 100 | 56 | 12 | 2550A0002R02 |
| S2 | 118 | 70 | 12 | 2550C0002R02 |
| S4 | 118 | 70 | 12 | 2550C0002R02 |
| S5 | 118 | 70 | 12 | 2550C0002R02 |
| S6 | 132 | 86 | 12 | 2550G0002R02 |
| H7 | 132 | 86 | 12 | 2550G0002R02 |
| S8 | 132 | 86 | 12 | 2550G0002R02 |
| H8 | 132 | 86 | 12 | 2550G0002R02 |
| S9 | 144 | 96 | 12 | 2550L0002R02 |
| SH | 146 | 100 | 24 | 2550M0002R02 |
| S0 | 146 | 100 | 24 | 2550M0002R02 |

Single cardan joint Standard safety shields

| Code | 121 |
|---------------|-------------|
| Length L (mm) | 1210 |
| S1 | 5CS1121FXSS |
| S2 | 5CS2121FXSS |
| S4 | 5CS4121FXSS |
| S5 | 5CS5121FXSS |
| S6 | 5CS6121FXSS |
| H7 | 5CH7121FXSS |
| S8 | 5CS8121FXSS |
| H8 | 5CH8121FXSS |
| S9 | 5CS9121FXSS |
| SH | 5CSH121FXSS |
| S0 | 5CS0121FXSS |

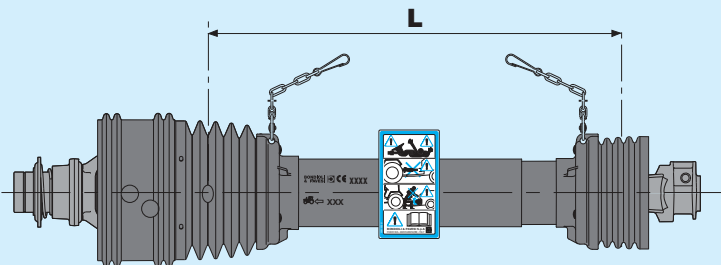
For North America, replace the "FX" in the codes above with "U2".
For Japan, replace the "FX" in the codes above with "JP".



80° Constant velocity joint Standard safety shields

| Code | 086 | 121 |
|---------------|-------------|-------------|
| Length L (mm) | 860 | 1210 |
| S1 | --- | --- |
| S2 | 5CS2086FXWS | 5CS2121FXWS |
| S4 | 5CS4086FXWS | 5CS4121FXWS |
| S5 | --- | --- |
| S6 | 5CS6086FXWS | 5CS6121FXWS |
| H7 | 5CH7086FXWS | 5CH7121FXWS |
| S8 | 5CS8086FXWS | 5CS8121FXWS |
| H8 | 5CH8086FXWS | 5CH8121FXWS |
| S9 | 5CS9086FXWS | 5CS9121FXWS |
| SH | 5CSH086FXWS | 5CSH121FXWS |
| S0 | --- | --- |

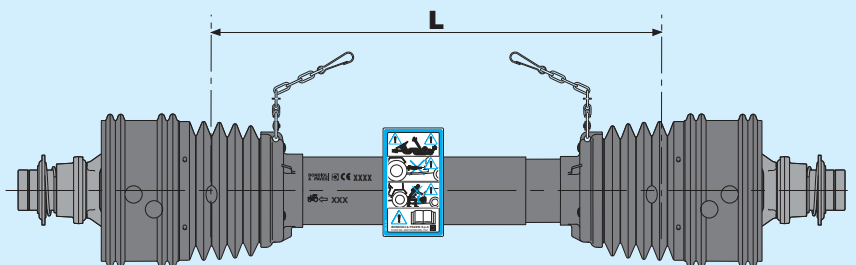
For North America, replace the "FX" in the codes above with "U2". For Japan, replace the "FX" in the codes above with "JP".



80° Double constant velocity joint Standard safety shields

| Code | 086 | 121 |
|---------------|-------------|-------------|
| Length L (mm) | 860 | 1210 |
| S1 | --- | --- |
| S2 | 5CS2086FXWW | 5CS2121FXWW |
| S4 | 5CS4086FXWW | 5CS4121FXWW |
| S5 | --- | --- |
| S6 | 5CS6086FXWW | 5CS6121FXWW |
| H7 | 5CH7086FXWW | 5CH7121FXWW |
| S8 | 5CS8086FXWW | 5CS8121FXWW |
| H8 | 5CH8086FXWW | 5CH8121FXWW |
| S9 | 5CS9086FXWW | 5CS9121FXWW |
| SH | 5CSH086FXWW | 5CSH121FXWW |
| S0 | --- | --- |

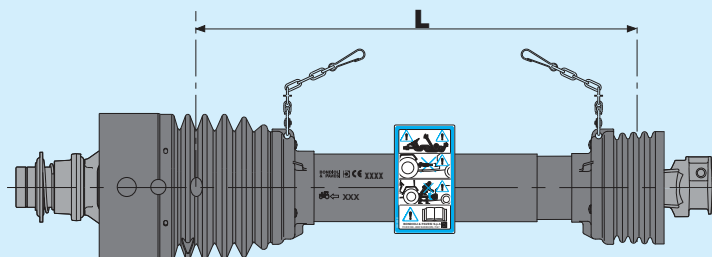
For North America, replace the "FX" in the codes above with "U2". For Japan, replace the "FX" in the codes above with "JP".



50° Constant velocity joint

| Code | 086 | 121 |
|---------------|-------------|-------------|
| Length L (mm) | 860 | 1210 |
| S1 | --- | --- |
| S2 | --- | --- |
| S4 | 5CS4086FXKS | 5CS4121FXKS |
| S5 | --- | --- |
| S6 | 5CS6086FXKS | 5CS6121FXKS |
| H7 | 5CH7086FXKS | 5CH7121FXKS |
| S8 | 5CS8086FXKS | 5CS8121FXKS |
| H8 | 5CH8086FXKS | 5CH8121FXKS |
| S9 | 5CS9086FXKS | 5CS9121FXKS |
| SH | 5CSH086FXKS | 5CSH121FXKS |
| S0 | --- | --- |

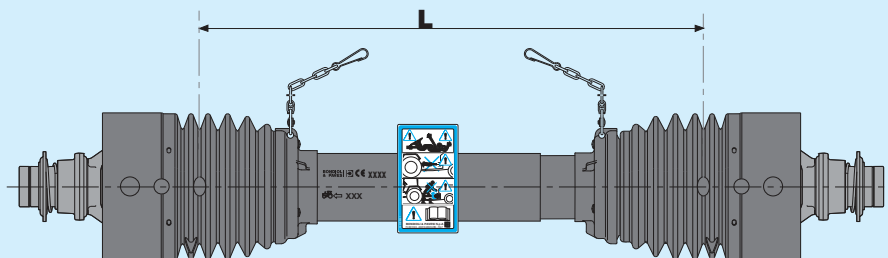
For North America, replace the "FX" in the codes above with "U2". For Japan, replace the "FX" in the codes above with "JP".



50° Double constant velocity joint Standard safety shields

| Code | 086 | 121 |
|---------------|-------------|-------------|
| Length L (mm) | 860 | 1210 |
| S1 | --- | --- |
| S2 | --- | --- |
| S4 | 5CS4086FXKK | 5CS4121FXKK |
| S5 | --- | --- |
| S6 | 5CS6086FXKK | 5CS6121FXKK |
| H7 | 5CH7086FXKK | 5CH7121FXKK |
| S8 | 5CS8086FXKK | 5CS8121FXKK |
| H8 | 5CH8086FXKK | 5CH8121FXKK |
| S9 | 5CS9086FXKK | 5CS9121FXKK |
| SH | 5CSH086FXKK | 5CSH121FXKK |
| S0 | --- | --- |

For North America, replace the "FX" in the codes above with "U2". For Japan, replace the "FX" in the codes above with "JP".



The size of the IIC shields should be sufficient to allow the cone to pass over the driveline's outer cone. Diameter D_1 must therefore be larger than the diameter of the outer cone, or any type of torque limiter or clutch installed on the driveline.

The table below shows appropriate IIC shield diameter codes (i.e. the diameter D in centimeters) for various driveline attachments.

IIC shields and driveline shields should allow minimal access to revolving parts, while leaving the driveline easy to install and free to articulate.

| Driveline Attachment | S1 | S2 | S4 | S5 | S6 | H7 | S8 | H8 | S9 | SH | S0 |
|--------------------------------|-----|-----|-----|-----|-----|-----|-----|-----|-----|-----|-----|
| Yokes for single cardan joints | 17 | 19 | 19 | 19 | 21 | 21 | 21 | 21 | 23 | 25 | 25 |
| Yokes for 50° CV joints | --- | --- | 23 | --- | 25 | --- | 25 | 25 | --- | --- | --- |
| RA - RL | 17 | 19 | 19 | 19 | 21 | 21 | 21 | 21 | 23 | 25 | 25 |
| SA - LN - LC - LT | 17 | 19 | 19 | 19 | 21 | --- | --- | --- | --- | --- | --- |
| LB | 19 | 19 | 19 | 21 | 21 | 21 | 21 | 21 | 23 | 25 | --- |
| LR23 - LR24 | --- | --- | 19 | 19 | 21 | 21 | 21 | 21 | 23 | --- | --- |
| LR35 | --- | --- | --- | --- | --- | --- | 23 | 23 | 23 | 25 | 25 |
| FV22 - FFV22 - FT22 | 21 | 21 | --- | --- | --- | --- | --- | --- | --- | --- | --- |
| FV32 - FFV32 - FT32 | --- | --- | 23 | 23 | 23 | --- | --- | --- | --- | --- | --- |
| FT34 - FFV34 - FT34 | --- | --- | 23 | 23 | 23 | 23 | 23 | 23 | 23 | --- | --- |
| FV42 - FFV42 - FT42 | --- | --- | 25 | 25 | 25 | 25 | 25 | 25 | --- | --- | --- |
| FV44 - FFV44 - FT44 | --- | --- | --- | --- | --- | --- | 25 | 25 | 25 | 25 | 25 |
| FNV34 - FFNV34 - FNT34 | --- | --- | --- | --- | 23 | 23 | 23 | 23 | 23 | --- | --- |
| FNV44 - FFNV44 - FNT44 | --- | --- | --- | --- | 25 | 25 | 25 | 25 | 25 | 25 | 25 |

The IIC shield length L is measured from the face of the metal plate to the end of the plastic shield.

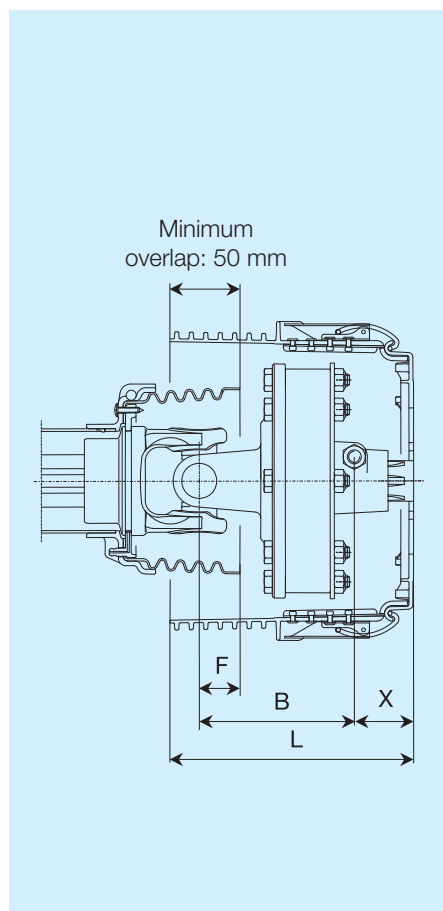
Standard shield lengths are shown in the table below and must be chosen to provide sufficient overlap with the driveline shield, while leaving the necessary space for shaft installation and movement.

IIC shield length L can be calculated by the formula $L = X + B + 50 - F$, where X is the length of the implement shaft, and 50 mm is the shield overlap required by standards EN12965 and ANSI/ASABE S604.

Length B is measured from the annular groove of the splined shaft to the center of the cross. These dimensions are listed within this catalog for each yoke, torque limiter, or clutch (see section for relevant size driveline).

Length F is measured from the protrusion of the shield to the cross center. This dimension is also listed in the tables related to driveline sizes.

The table below shows the length codes for each IIC shield. Always choose the next longer standard length above the calculated length to maintain a 50 mm overlap with the driveline shield.



$$L = X + B + 50 - F$$

| Length code | L (mm) | | | | |
|-------------|----------|----------|----------|----------|----------|
| | D=170 mm | D=190 mm | D=210 mm | D=230 mm | D=250 mm |
| 05 | 122 | 122 | 122 | 122 | 122 |
| 10 | 135 | 135 | 135 | 135 | 135 |
| 15 | 147 | 147 | 147 | 147 | 147 |
| 20 | 160 | 160 | 160 | 160 | 160 |
| 25 | 172 | 172 | 172 | 172 | 172 |
| 30 | 185 | 185 | 185 | 185 | 185 |
| 35 | 197 | 197 | 197 | 197 | 197 |
| 40 | 210 | 210 | 210 | 210 | 210 |
| 45 | 222 | 222 | 222 | 222 | 222 |
| 50 | --- | 235 | 235 | 235 | 235 |
| 55 | --- | 247 | 247 | 247 | 247 |
| 60 | --- | --- | 260 | 260 | 260 |
| 65 | --- | --- | --- | 272 | 272 |
| 70 | --- | --- | --- | 285 | 285 |
| 75 | --- | --- | --- | --- | 300 |

IIC shields should be chosen depending on their intended application, the yoke, torque limiter, or clutch to be covered, their dimensions, and on normal driveline movements during implement operations and maneuvers.

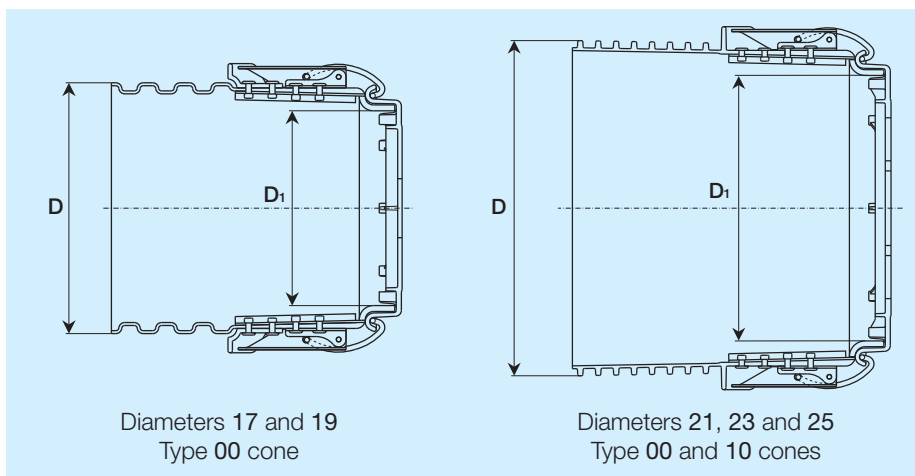
IIC shields, as well as driveline shields, should allow minimal access to revolving parts, but allow unhindered driveline movements.

Standard ISO 5673-1 defines a minimum 150 mm access.

SFT IIC shields are available with two types of shield cones, 00 and 10, which differ in shape, material and diameters.

Type 00 cones come in five different diameters and can be applied to end yokes, overrunning clutches, torsionally resilient joints, ratchet torque limiters, shear bolt torque limiters, and automatic torque limiters.

Type 10 cones come in three diameters and are made of heat-resistant plastic. They are recommended especially for protecting friction torque limiters, which are often used in heavy-duty applications and can reach high working temperatures.



| Diameter code | Type 00 | | Type 10 | |
|---------------|---------|-------------------|---------|-------------------|
| | D mm | D ₁ mm | D mm | D ₁ mm |
| 17 | 170 | 132 | --- | --- |
| 19 | 190 | 152 | --- | --- |
| 21 | 214 | 165 | 214 | 165 |
| 23 | 235 | 185 | 235 | 185 |
| 25 | 259 | 207 | 259 | 207 |

Codes for SFT IIC shields

- 1 2 3
3 9 5 SFT IIC shield
- 4 5
 IIC shield type
 00: for yokes, ratchet torque limiters, shear bolt limiters, automatic limiters
 10: heat-resistant plastic, recommended for friction torque limiters
- 6 7
 IIC shield diameter
 17, 19, 21, 23, 25 for type 00 cones
 21, 23, 25 for type 10 cones
- 8 9
 IIC Shield length
 05, 10, 15, 20, 25, 30, 35, 40, 45, 50, 55, 60, 65, 70,75
- 10 11
C E

Example: 395 00 23 30 CE
 is the code for ordering a SFT IIC Shield with 00 cone, diameter D = 230 mm (code 23), length L = 185 mm (code 30), with an instruction sheet valid for all countries of destination.

Bondioli & Pavesi offers a wide range of shields for PTO's, specifically designed for drivelines and fully compliant with international standards.

Due to the broad range of implements and applications, the specifications contained herein should be used as a general guide to the selection of an implement input connection shield.

The implement manufacturer is responsible for selecting suitable IIC shielding according to the application, the size and the articulation range of the driveline, the standards applicable for the country of destination.

Thorough testing of the IIC shield by the implement manufacturer under actual field conditions is necessary and strongly recommended by Bondioli & Pavesi.

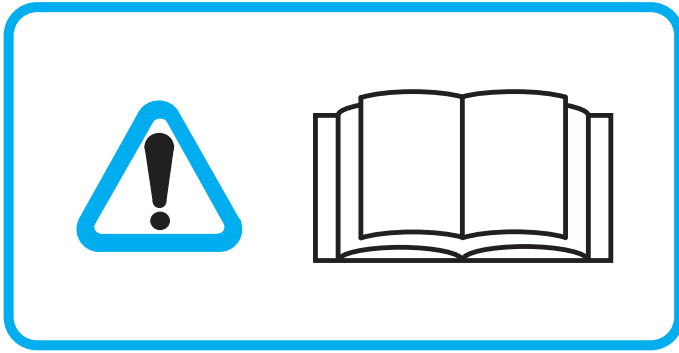
All rotating parts must be guarded. The shields on the tractor and on the implement machine must form an integrated guarding system with the driveline guard.

Global



**BONDIOLI
& PAVESI**





The safety of the end user depends upon proper use and maintenance of the implement, tractor, and driveline, plus all related safety shielding. Information regarding correct driveline usage is included on the safety label and in the use and maintenance manual included with Bondioli & Pavesi drivelines. Safety labels and user's manuals in alternative languages are available to meet local requirements. If drivelines are to be used on ma-

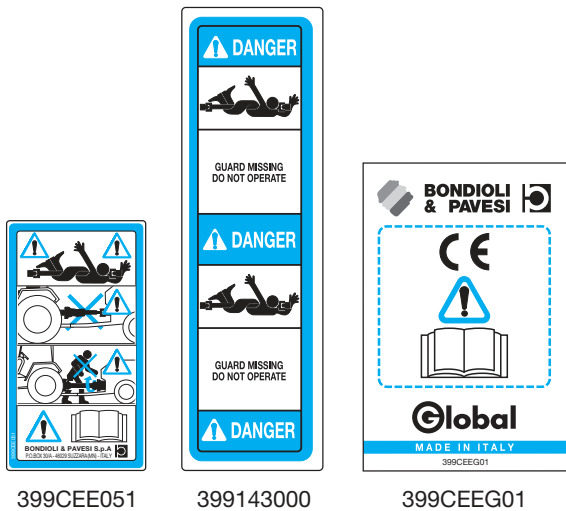
chines bound for export, contact Bondioli & Pavesi for labels and manuals. The manufacturer or purchaser must inform Bondioli & Pavesi when alternative labels or manuals are required. Read the driveline manual, and the operator's manual for the implement, before using the machine.

YOUR SAFETY DEPENDS UPON THIS INFORMATION.

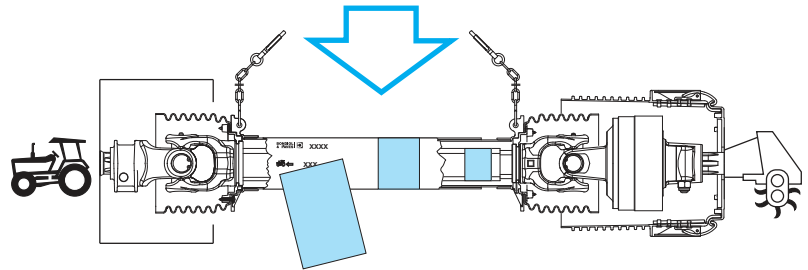
PRIMARY DRIVELINES FOR EEC-EFTA COUNTRIES

The primary driveline (the one that connects the tractor to the machine) sold in ECC and EFTA countries have the CE mark, safety label

code 399CEE051 and 399143000, user manual code 399CEEG01 and safety chains.



OUTER LABEL
399CEE051
INNER LABEL
399143000
INSTRUCTION BOOKLET
399CEEG01



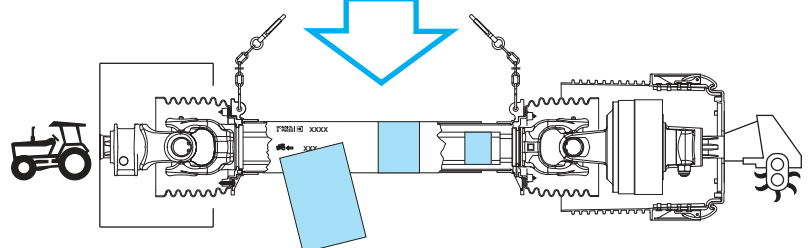
DRIVELINES FOR NORTH AMERICA (USA, Canada and Mexico)

Drivelines sold in North America (USA, Canada and Mexico) are equipped with safety labels code

399141000 and 399143000 and have the user's manual code 399USAG01.



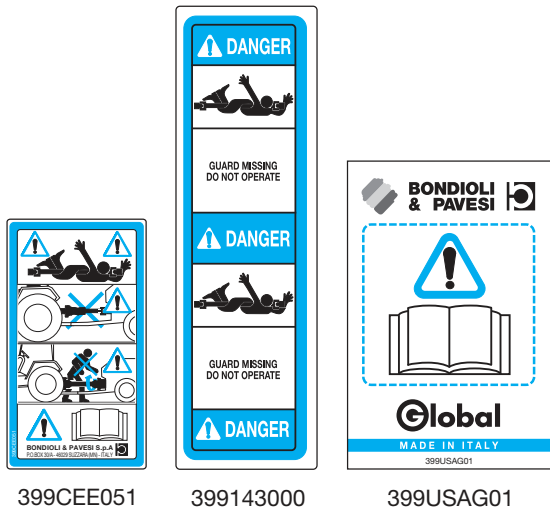
OUTER LABEL
399141000
INNER LABEL
399143000
INSTRUCTION BOOKLET
399USAG01



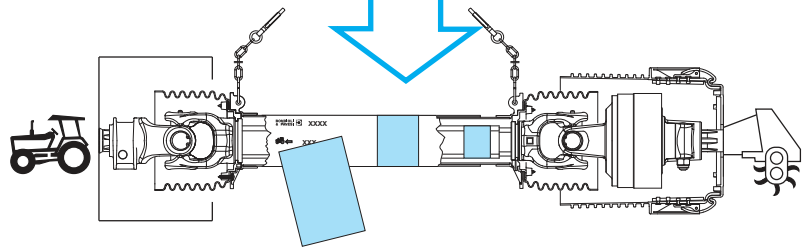
NON-PRIMARY DRIVELINES FOR EEC/EFTA COUNTRIES AND DRIVELINES FOR NON-EEC/EFTA COUNTRIES

Drivelines internal to the machine or sold to non-EEC/EFTA countries do not require the CE mark. They are equipped with safety labels

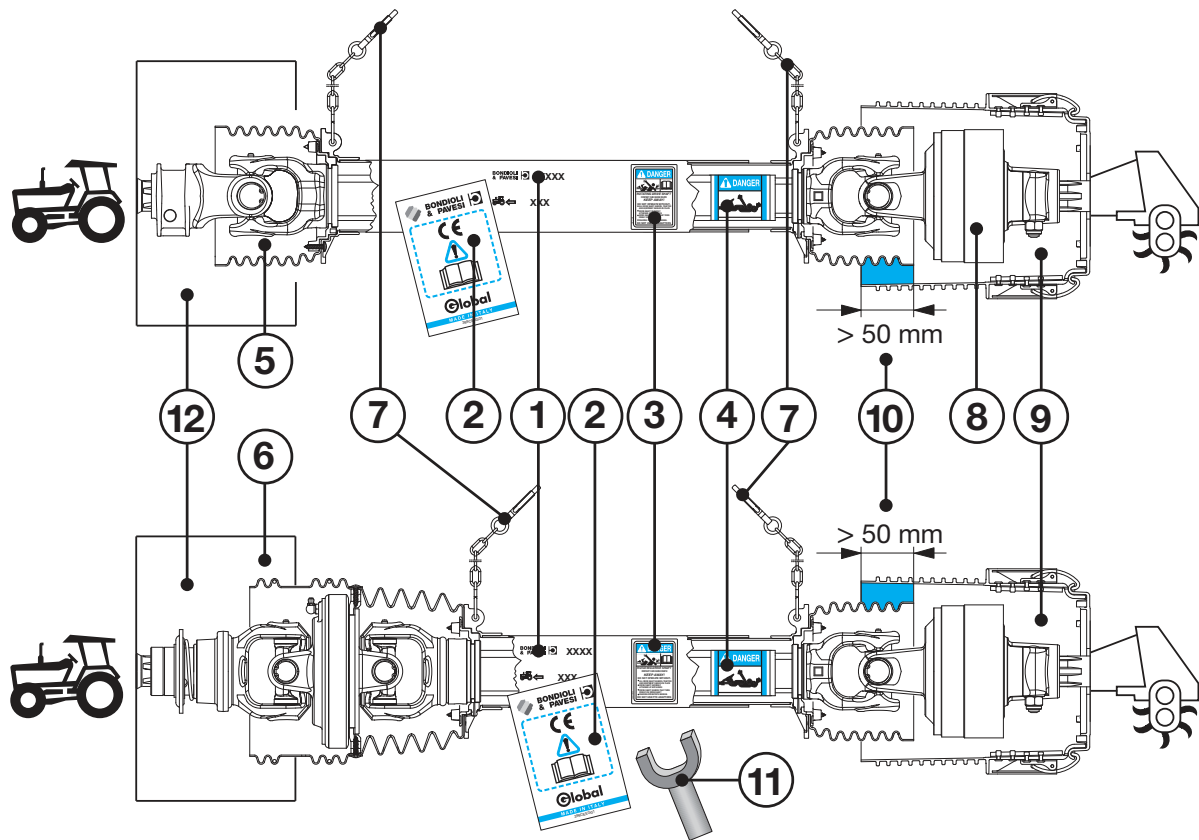
code 399CEE051 and 399143000, and have the users manual code 399USAG01.



OUTER LABEL
399CEE051
INNER LABEL
399143000
INSTRUCTION BOOKLET
399USAG01

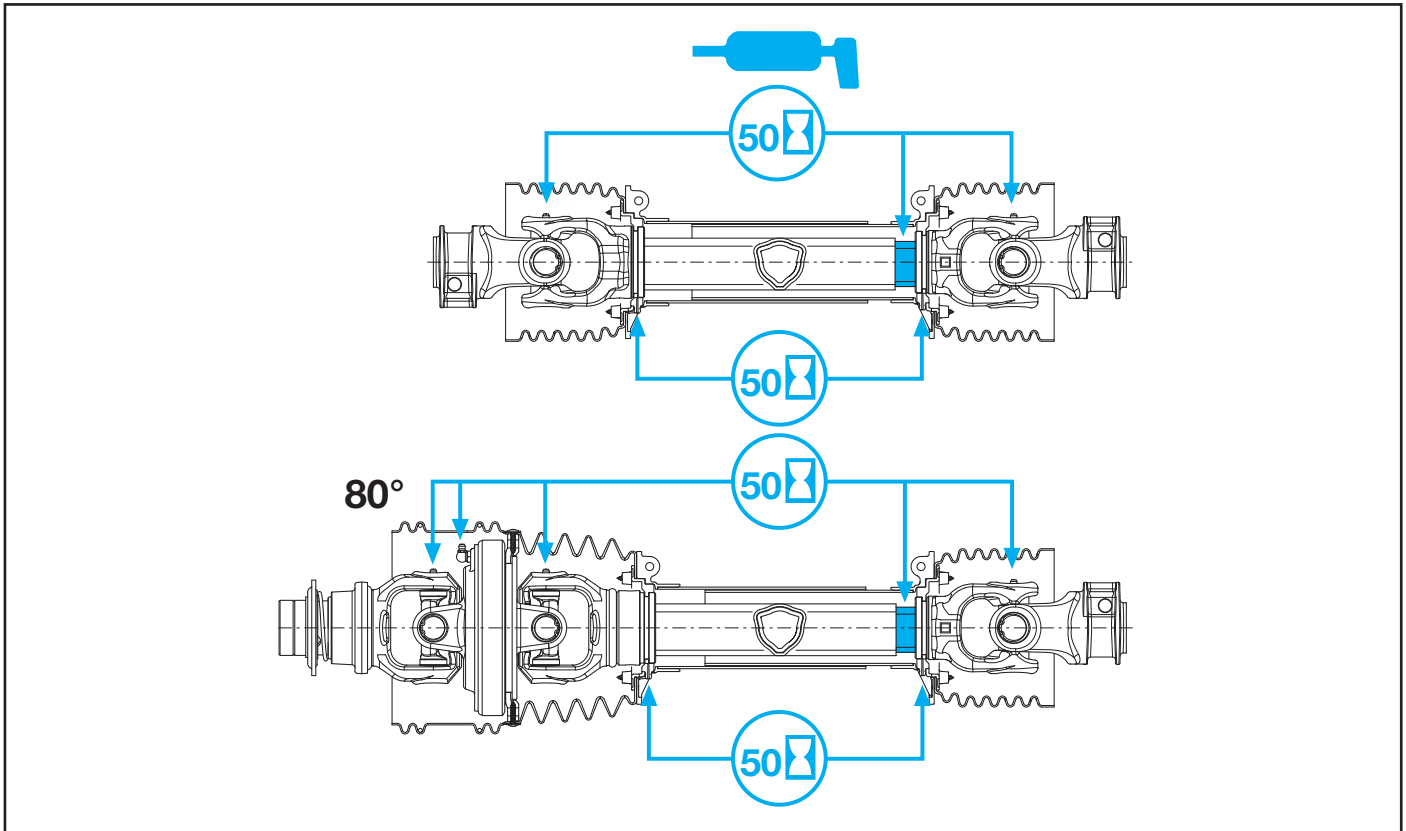


CE - SAFETY FEATURES



- | | | |
|--|--|--|
| <p>1 Driveline identification, CE mark</p> <p>2 Operating instructions, CE-Declaration of Conformity</p> <p>3 Safety label on shield tube</p> <p>4 Safety label on telescoping members</p> | <p>5 Cone length at least to the end of the inboard joint</p> <p>6 Cone length at least to the end of the outer joint</p> <p>7 Safety chains</p> <p>8 Torque limiters or overrunning clutch on the implement side only</p> | <p>9 The implement must provide PIC shielding</p> <p>10 Minimum overlap in straight position</p> <p>11 Support for the PTO drive shaft when the machine is uncoupled</p> <p>12 Tractor master shield</p> |
|--|--|--|

AFTER ANY MAINTENANCE OR REPAIR, ALWAYS REPLACE ALL GUARDS AND SHIELDS!



Overrunning clutches RA1 Overrunning clutches RA2

Ratchet torque limiters SA Ratchet torque limiters LN

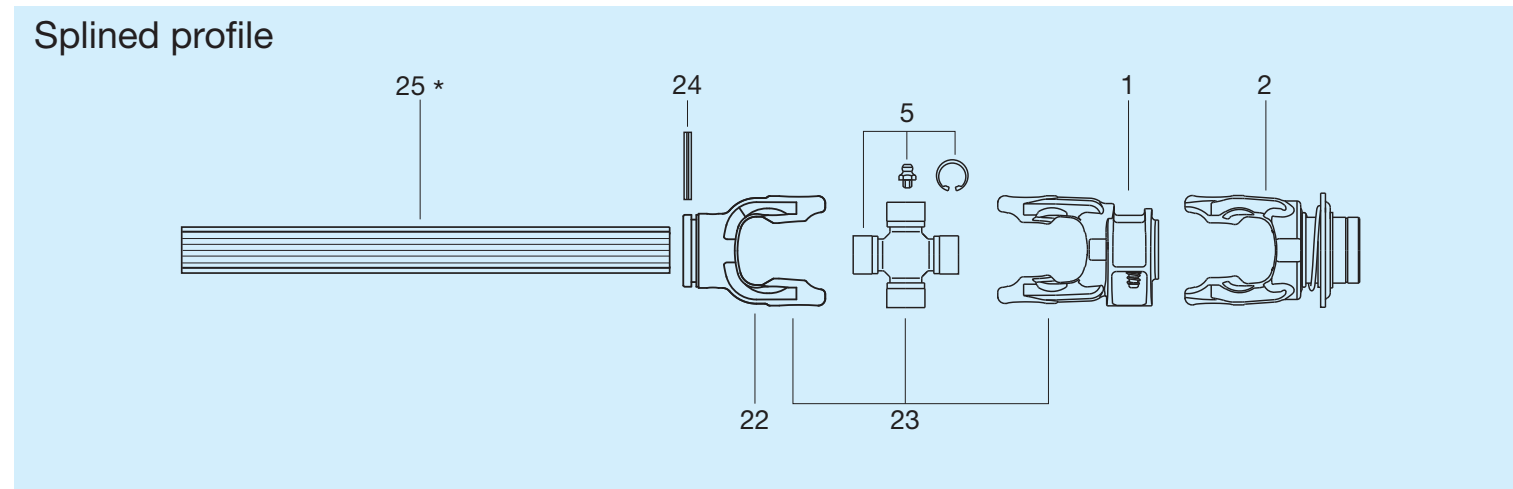
Shear bolt torque limiters LB

SEASONAL LUBRICATION

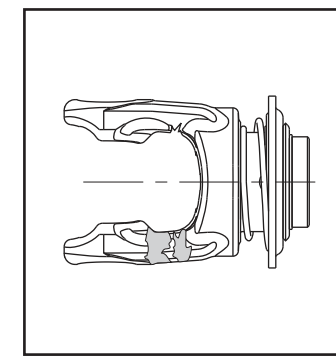
Combination friction torque limiter and overrunning clutch

FNT FNV FFNV

| 1 | 2 | 3 | 22 |
|--|--|--|---|
|  1 3/8" Z6 |  1 3/8" Z6 |  1 3/8" Z6 |  INNER YOKE FOR SPLINED BAR |
| 5070B0355 | 5720B0355 | --- | --- |
| 5070C0355 | 5720C0355 | --- | --- |
| 5070E0355 | 5720E0355 | 5090E0360 | --- |
| 5070E0355 | 5720E0355 | 5090E0360 | Ø 46 204043251 |
| 5070G0355 | 5720G0355 | 5090G0360 | Ø 53 204053361 |
| 5070H0355 | 5720H0355 | 5090H0360 | Ø 59 204063361 |
| 5070L0355 | 5720L0355 | 5090L0360 | Ø 59 204173451 |



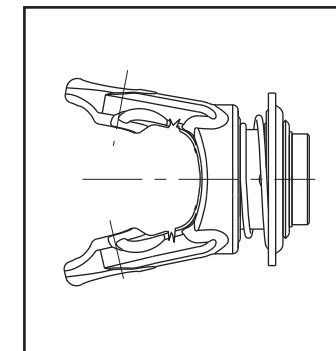
Guards removed for illustration purposes only. Make sure all driveline, tractor, and equipment shields are in place before operation.



WEAR OF YOKE EARS

EXCESSIVE WORKING ANGLE

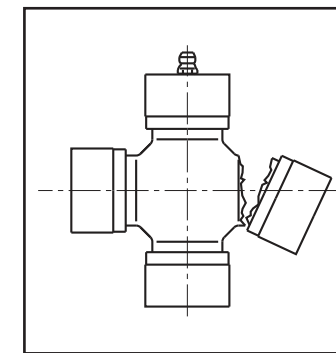
- Reduce working angle.
- Disengage PTO when joint angle exceeds 45°.



DEFORMATION OF YOKE EARS

EXCESSIVE TORQUE PEAK OR SHOCK LOAD

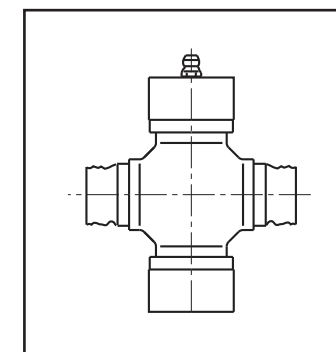
- Avoid overloading and engaging drive under load.
- Check function of torque limiter.



CROSS ARMS BROKEN

EXCESSIVE TORQUE PEAK OR SHOCK LOAD

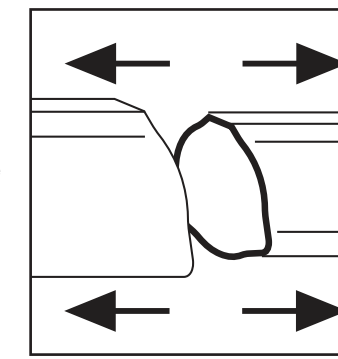
- Avoid overloading and engaging drive under load.
- Check function of torque limiter.



ACCELERATED WEAR OF CROSS ARMS

EXCESSIVE LOAD

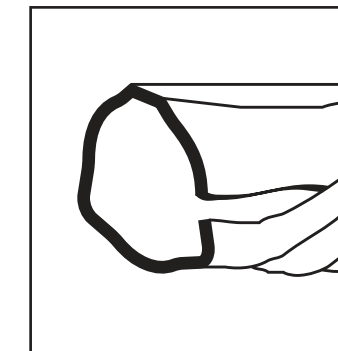
- Do not exceed the speed or power limits indicated in the instruction manual.
- INSUFFICIENT LUBRICATION
- Follow instructions in chapter "Lubrication and maintenance".



SEPARATION OF TELESCOPING TUBES

EXCESSIVE EXTENSION OF DRIVELINE

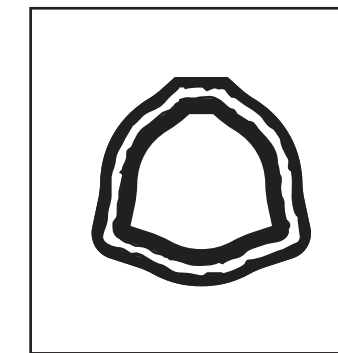
- Avoid excessive extension of driveline.
- For stationary machinery: position the tractor so that the telescoping tubes overlap as illustrated in chapter "Working conditions".
- Check extension of drawbar hitch according to the instruction manual.



DEFORMATION OF TELESCOPING TUBES

EXCESSIVE TORQUE PEAK OR SHOCK LOAD

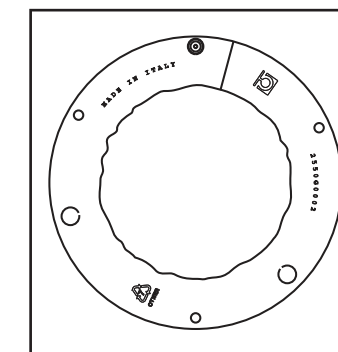
- Avoid overloading and engaging drive under load.
- Check functioning of torque limiter.
- Check that driveline does not come into contact with tractor or implement components during movement.



ACCELERATED WEAR OF TELESCOPING TUBES

INSUFFICIENT LUBRICATION

- Follow instructions in chapter "Lubrication Intervals."
- INSUFFICIENT TUBE OVERLAP
- Follow instruction in chapter "Safety and working conditions."



ACCELERATED WEAR OF SHIELD BEARING

INSUFFICIENT LUBRICATION

- Follow instructions in chapter "Lubrication intervals."

| Size | 540 min ⁻¹ Power Rating | | 1000 min ⁻¹ Power Rating | | SINGLE & DOUBLE JOINTS | SINGLE & DOUBLE JOINTS | |
|------|---------------------------------------|----|--|-----|------------------------|------------------------|------|
| | kW | CV | kW | CV | | | |
| G1 | 12 | 16 | 18 | 25 | A=22,0 H=54,0 | --- | 63,5 |
| | | | | | 4120B0012R50 | --- | |
| G2 | 15 | 21 | 23 | 31 | A=23,8 H=61,3 | A=22,0 H=76,0 | 70 |
| | | | | | 4120C0012R30 | 4120C0051R25 | |
| G3 | 26 | 35 | 40 | 55 | A=27,0 H=74,6 | --- | 84 |
| | | | | | 4120E0012R25 | --- | |
| G4 | 26 | 35 | 40 | 55 | A=27,0 H=74,6 | A=22,0 H=86,0 | 84 |
| | | | | | 4120E0012R25 | 4120E0051R40 | |
| G5 | 35 | 47 | 54 | 74 | A=30,2 H=79,4 | A=27,0 H=100,0 | 91 |
| | | | | | 4120G0012R40 | 4120G0051R24 | |
| G7 | 47 | 64 | 74 | 100 | A=30,2 H=91,4 | A=27,0 H=100,0 | 103 |
| | | | | | 4120H0012R30 | 4120G0051R24 | |
| G8 | 61 | 83 | 96 | 130 | A=35,0 H=93,5 | A=30,2 H=106,0 | 106 |
| | | | | | 4120L0012R24 | 4120L0051R20 | |

| 1 | 2 | 3 | 6 | 7 | 8 |
|-----------|-----------|-----------|-----------------|----------------------|-------------------------|
| 1 3/8" Z6 | 1 3/8" Z6 | 1 3/8" Z6 | OUTER TUBE YOKE | JOINT FOR OUTER TUBE | ROLL PIN FOR OUTER TUBE |
| 5070B0355 | 5720B0355 | --- | ∅ 40 | 7G1GC049007 | 341036000R10 |
| | | | 204016851 | | |
| 5070C0355 | 5720C0355 | --- | ∅ 47 | 7G2GC049007 | 341048000R10 |
| | | | 204026851 | | |
| 5070E0355 | 5720E0355 | 5090E0360 | ∅ 53 | 7G4GC049007 | 341038000R10 |
| | | | 204046851 | | |
| 5070E0355 | 5720E0355 | 5090E0360 | ∅ 53 | 7G4GC049007 | 341038000R10 |
| | | | 204046851 | | |
| 5070G0355 | 5720G0355 | 5090G0360 | ∅ 62 | 7G5GC049007 | 341053000R10 |
| | | | 204056860 | | |
| 5070H0355 | 5720H0355 | 5090H0360 | ∅ 68 | 7G7GC049007 | 341042000R10 |
| | | | 204066851 | | |
| 5070L0355 | 5720L0355 | 5090L0360 | ∅ 68 | 7G8GC049007 | 341042000R10 |
| | | | 204176851 | | |

| 9 | 10 | 11 | 12 | 13 |
|----------------|--------------|---------------------------|----------------------|------------------------|
| TUBO ESTERNO | TUBO INTERNO | FORCELLA PER TUBO INTERNO | JOINT FOR INNER TUBE | SPINA PER TUBO INTERNO |
| A=2,6 - B=32,5 | A=4 - B=26,5 | ∅ 34 | 7G1GC050007 | 341037000R10 |
| 125033000R06 | 125023000R06 | 204016852 | | |
| A=3,2 - B=36 | A=4 - B=29 | ∅ 40 | 7G2GC050007 | 341036000R10 |
| 125053000R06 | 125043000R06 | 204026852 | | |
| A=3,4 - B=43,5 | A=3,2 - B=36 | ∅ 46 | 7G4GC050007 | 341048000R10 |
| 125083000R06 | 125053000R06 | 204046852 | | |
| A=3,4 - B=43,5 | A=4 - B=36 | ∅ 46 | 7G4GC050007 | 341048000R10 |
| 125083000R06 | 125073000R06 | 204046852 | | |
| A=3 - B=51,5 | A=3,8 - B=45 | ∅ 53 | 7G5GC050007 | 341002000R10 |
| 125103000R06 | 125973000R06 | 204056861 | | |
| A=4 - B=54 | A=4,2 - B=45 | ∅ 59 | 7G7GC050007 | 341043000R10 |
| 125123000R06 | 125093000R06 | 204066852 | | |
| A=4 - B=54 | A=5,5 - B=45 | ∅ 59 | 7G8GC050007 | 341043000R10 |
| 125123000R06 | 125113000R06 | 204176852 | | |

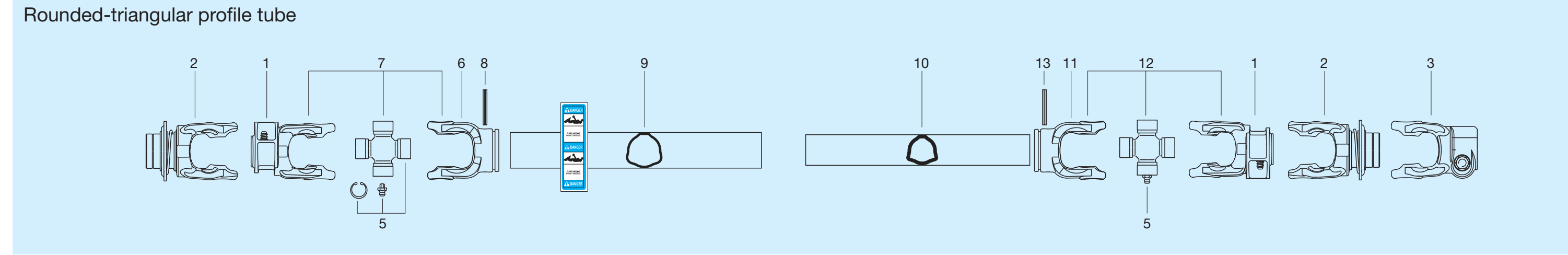
PACKAGE QUANTITIES: THE NUMBER FOLLOWING THE LETTER "R" IN THE CODE INDICATES THE NUMBER OF PIECES IN EACH PACK. FOR EXAMPLE, 341036000R10 INDICATES THAT EACH PACKAGE CONTAINS 10 ROLL PINS.

The codes for the tubes reference the 3 meter lengths packaged in multiples of 6 pieces.

WARNING!

MACHINERY DIRECTIVE 2006/42/CEE
 With reference to the above mentioned directives dated January 1, 1995, in the CEE and EFTA member states, primary drivelines placed on the market and put into service must meet the essential safety requirements and will bear the brand and declaration of conformity.

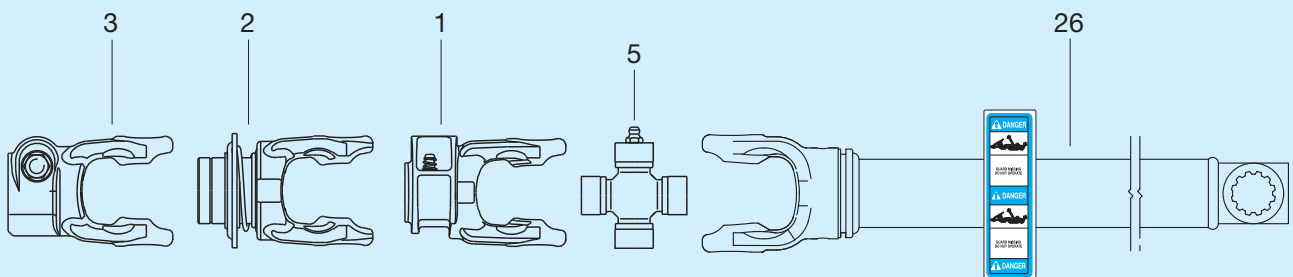
CE



Guards removed for illustration purposes only. Make sure all driveline, tractor, and equipment shields are in place before operation.

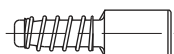
| <p style="text-align: center;">23</p>  <p style="text-align: center;">JOINT FOR SPLINED BAR</p> | <p style="text-align: center;">24</p>  <p style="text-align: center;">ROLL PIN FOR SPLINED BAR</p> | <p style="text-align: center;">25*</p>  <p style="text-align: center;">SPLINED BAR</p> | <p style="text-align: center;">26*</p>  <p style="text-align: center;">YOKE & SPLINED SLEEVE ASSEMBLY</p> |
|---|--|---|---|
| --- | --- | --- | --- |
| --- | --- | --- | --- |
| --- | --- | --- | --- |
| 7G4GC059007 | 345013000R10 | Ø 30 - Z 10 | Ø 46 |
| | | 24917... | 569B4... |
| 7G5GC059007 | 345012000R10 | Ø 35 - Z 12 | Ø 53 |
| | | 24911... | 569B5... |
| 7G7GC059007 | 345001000R10 | Ø 35 - Z 12 | Ø 59 |
| | | 24911... | 569B6... |
| 7G8GC059007 | 345001000R10 | Ø 40 - Z 14 | Ø 59 |
| | | 24921... | 569B7... |

* Complete the code with the length expressed in millimeters.



| 1 | | 2 | | | | 3 | | |
|------------|-----------|------------|-----------|-----------|------------|------------|-----------|------------|
| | | | | | | | | |
| 1 3/8" Z21 | D8x32x38 | 1 3/8" Z21 | D8x32x38 | 1 3/4" Z6 | 1 3/4" Z20 | 1 3/8" Z21 | 1 3/4" Z6 | 1 3/4" Z20 |
| 5070B3755 | 5070B2151 | 5720B3776 | --- | --- | --- | --- | --- | --- |
| 5070C3755 | 5070C2151 | 5720C3776 | --- | --- | --- | --- | --- | --- |
| 5070E3755 | 5070E2151 | 5720E3755 | 5720E2151 | --- | --- | 5090E3760 | --- | --- |
| 5070E3755 | 5070E2151 | 5720E3755 | 5720E2151 | --- | --- | 5090E3760 | --- | --- |
| 5070G3755 | 5070G2151 | 5720G3755 | 5720G2151 | 5720G0455 | 5720G3855 | 5090G3760 | 5090G0460 | 5090G3860 |
| 5070H3755 | 5070H2151 | 5720H3755 | 5720H2151 | 5720H0455 | 5720H3855 | 5090H3760 | 5090H0460 | 5090H3860 |
| 5070L3755 | 5070L2151 | 5720L3755 | 5720L2151 | 5720L0455 | 5720L3855 | 5090L3760 | 5090L0460 | 5090L3860 |

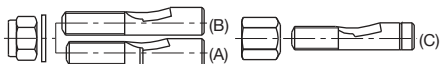
Quick disconnect (QD) pins



Taper pin yokes should only be mounted on the implement end of primary driveshafts.

| | G1 | G2 | G3-G4 | G5 | G7 | G8 |
|------------|--------------|--------------|--------------|--------------|--------------|--------------|
| 1 3/8" Z6 | 403000021R10 | 403000021R10 | 403000001R10 | 403000001R10 | 403000001R10 | 403000032R10 |
| 1 3/8" Z21 | 403000021R10 | 403000021R10 | 403000001R10 | 403000001R10 | 403000001R10 | 403000032R10 |
| D8x32x38 | 403000021R10 | 403000021R10 | 403000001R10 | 403000001R10 | 403000001R10 | 403000032R10 |
| 1 3/4" Z6 | --- | --- | --- | --- | --- | --- |
| 1 3/4" Z20 | --- | --- | --- | --- | --- | --- |

Tapered pin kits



Use pin that fits completely into hub. Discard other pins and nut.
Use tapered nut ONLY with pin (C) and yoke with counter-sunk hole.

| | G1 | G2 | G3-G4 | G5 | G7 | G8 |
|------------|-----|-----|------------|------------|------------|------------|
| 1 3/8" Z6 | --- | --- | 408000075R | 408000075R | 408000075R | 408000075R |
| 1 3/8" Z21 | --- | --- | 408000075R | 408000075R | 408000075R | 408000075R |
| 1 3/4" Z6 | --- | --- | --- | 408000076R | 408000076R | 408000076R |
| 1 3/4" Z20 | --- | --- | --- | 408000076R | 408000076R | 408000076R |

Ball collar repair kits



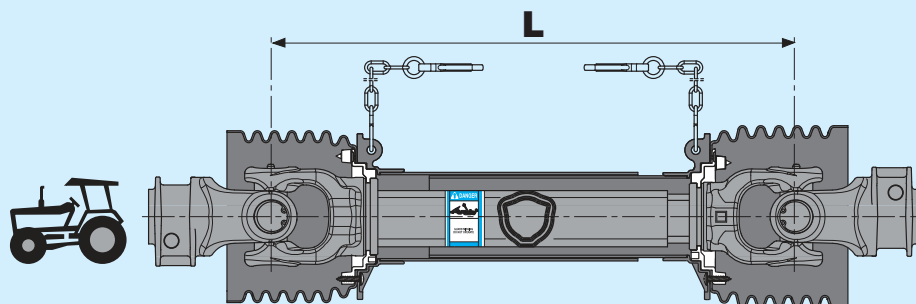
| | G1 | G2 | G3-G4 | G5 | G7 | G8 |
|-------------------|------------|------------|--------------|------------|------------|------------|
| 1 3/8" Z6 | 435000320R | 435000320R | 435000321R | 435000321R | 435000321R | 435000322R |
| 1 3/8" Z21 | 435000300R | 435000300R | 435000321R | 435000321R | 435000321R | 435000322R |
| D8x32x38 | --- | --- | --- | 435002115R | 435002115R | 435002116R |
| 1 3/4" Z6 | --- | --- | --- | 435000418R | 435000418R | 435000419R |
| 1 3/4" Z20 | --- | --- | --- | 435000418R | 435000418R | 435000419R |

With rounded-triangular profile tubes.

| 051 | 061 | 071 | 086 | 101 | 121 |
|-----------------|-----------------|-----------------|-----------------|-----------------|-----------------|
| 510 | 610 | 710 | 860 | 1010 | 1210 |
| 7G1N051CE007007 | 7G1N061CE007007 | 7G1N071CE007007 | 7G1N086CE007007 | 7G1N101CE007007 | 7G1N121CE007007 |
| 7G2N051CE007007 | 7G2N061CE007007 | 7G2N071CE007007 | 7G2N086CE007007 | 7G2N101CE007007 | 7G2N121CE007007 |
| 7G3N051CE007007 | 7G3N061CE007007 | 7G3N071CE007007 | 7G3N086CE007007 | 7G3N101CE007007 | 7G3N121CE007007 |
| 7G4N051CE007007 | 7G4N061CE007007 | 7G4N071CE007007 | 7G4N086CE007007 | 7G4N101CE007007 | 7G4N121CE007007 |
| 7G5N051CE007007 | 7G5N061CE007007 | 7G5N071CE007007 | 7G5N086CE007007 | 7G5N101CE007007 | 7G5N121CE007007 |
| 7G7N051CE007007 | 7G7N061CE007007 | 7G7N071CE007007 | 7G7N086CE007007 | 7G7N101CE007007 | 7G7N121CE007007 |
| 7G8N051CE007007 | 7G8N061CE007007 | 7G8N071CE007007 | 7G8N086CE007007 | 7G8N101CE007007 | 7G8N121CE007007 |

Codes above are equipped with CE mark (includes CE labels, instructions, and declaration of conformity). For other countries, the "CE" may be replaced by "U2" (for North America), "JP" (for Japan), or "FX", which will have labels and instructions according to pages 2 and 3.

Rounded-triangular profile tubes

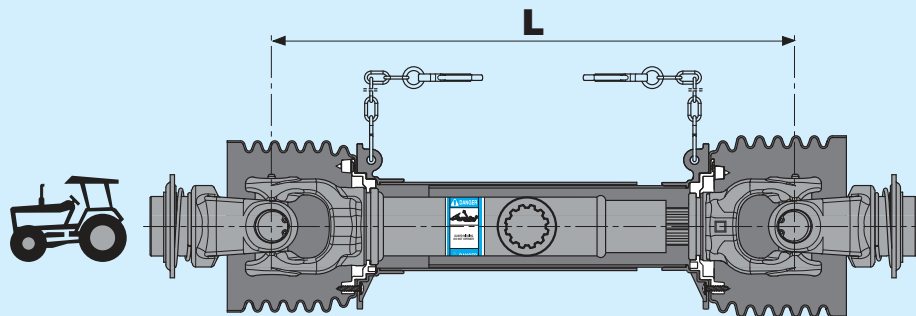


With splined profiles

| 041 | 051 | 061 | 071 |
|-----------------|-----------------|-----------------|-----------------|
| 410 | 510 | 610 | 710 |
| --- | --- | --- | --- |
| --- | --- | --- | --- |
| --- | --- | --- | --- |
| 7G4S041CE007007 | 7G4S051CE007007 | 7G4S061CE007007 | 7G4S071CE007007 |
| 7G5S041CE007007 | 7G5S051CE007007 | 7G5S061CE007007 | 7G5S071CE007007 |
| 7G7S041CE007007 | 7G7S051CE007007 | 7G7S061CE007007 | 7G7S071CE007007 |
| 7G8S041CE007007 | 7G8S051CE007007 | 7G8S061CE007007 | 7G8S071CE007007 |

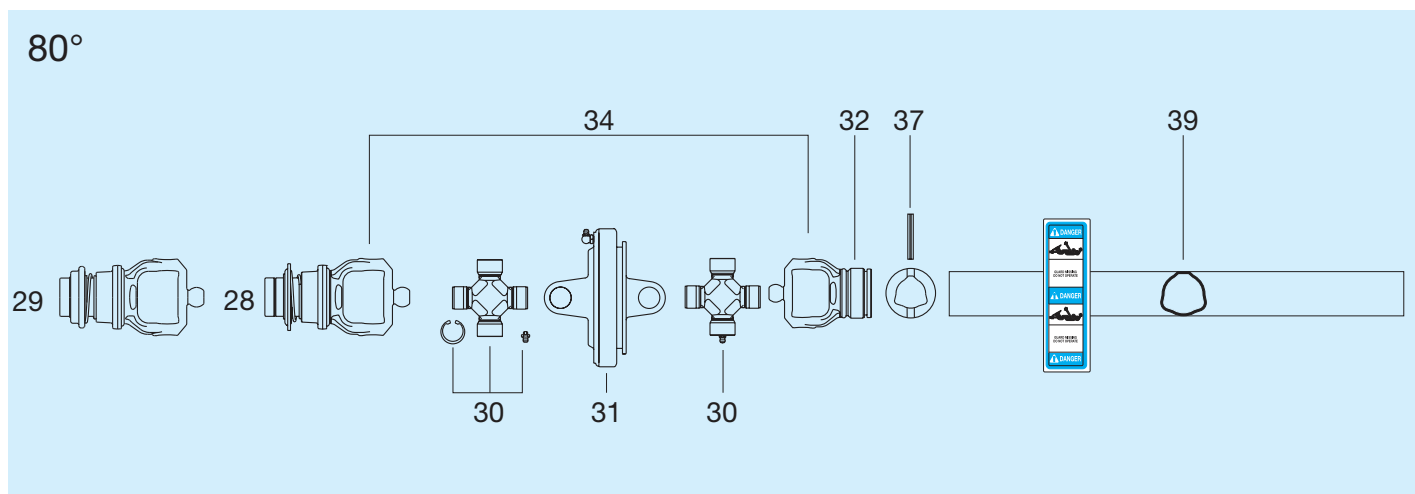
Codes above are equipped with CE mark (includes CE labels, instructions, and declaration of conformity). For other countries, the "CE" may be replaced by "U2" (for North America), "JP" (for Japan), or "FX", which will have labels and instructions according to pages 2 and 3.

Splined profiles


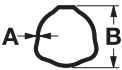

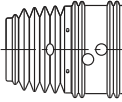
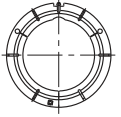


SFT 80° EL CV joints

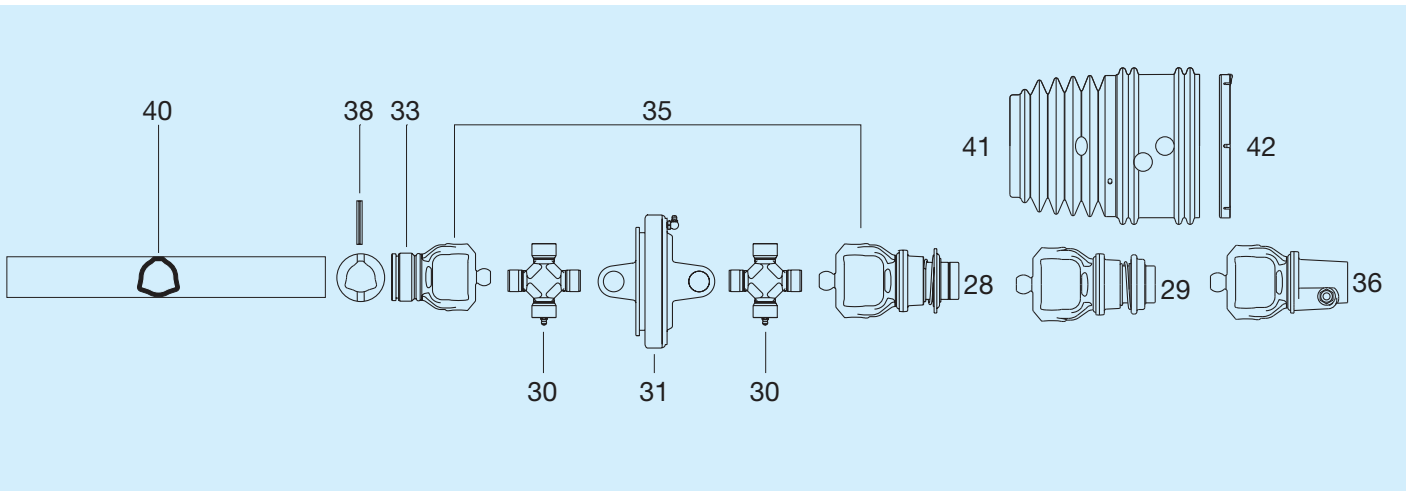
| 28 | 29 | 31 | 32 | 33 | 34 | 35 | 37 |
|-----------|-----------|-----------|--------------------|--------------------|----------------------|----------------------|-------------------------|
| | | | | | | | |
| 1 3/8" Z6 | 1 3/8" Z6 | CV BODY | CV OUTER TUBE YOKE | CV INNER TUBE YOKE | JOINT FOR OUTER TUBE | JOINT FOR INNER TUBE | ROLL PIN FOR OUTER TUBE |
| --- | --- | --- | --- | --- | --- | --- | --- |
| B 87 | --- | 5110C0053 | B 102 | B 102 | 7G2GWW49WR7 | 7G2GWW50WR7 | 341048000R10 |
| 5730C0377 | --- | | 2150C6864 | 2150C6865 | | | |
| --- | --- | --- | --- | --- | --- | --- | --- |
| B 103 | B 103 | 5110E0052 | B 99 | B 99 | 7G4GWW49WR7 | 7G4GWW50WR7 | 341038000R10 |
| 5730E0384 | 5730E0391 | | 2150E6885 | 2150E6887 | | | |
| B 119 | B 119 | 5110G0061 | B 109 | B 109 | 7G5GWW49WR7 | 7G5GWW50WR7 | 341053000R10 |
| 5730G0384 | 5730G0391 | | 2150G6891 | 2150G6892 | | | |
| B 119 | B 119 | 5110G0061 | B 109 | B 109 | 7G7GWW49WR7 | 7G7GWW50WR7 | 341042000R10 |
| 5730G0384 | 5730G0391 | | 2150G6893 | 2150G6894 | | | |
| B 126 | B 126 | 5110L0063 | B 124 | B 124 | 7G8GWW49WS7 | 7G8GWW50WR7 | 341042000R10 |
| 5730L0387 | 5730L0391 | | 2150L6875 | 2150L6876 | | | |

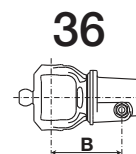
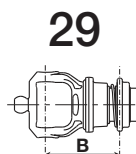
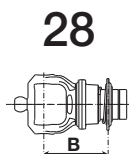


Guards removed for illustration purposes only. Make sure all driveline, tractor, and equipment shields are in place before operation.

| <p>38</p>  <p>ROLL PIN FOR INNER TUBE</p> | <p>39</p>  <p>OUTER DRIVE TUBE - RILSAN</p> | <p>40</p>  <p>INNER DRIVE TUBE - RILSAN</p> | <p>41</p>  <p>SHIELD CONE</p> | <p>42</p>  <p>CV SHIELD CONE BEARING RING</p> |
|--|--|--|--|--|
| --- | --- | --- | --- | --- |
| 341036000R10 | A=2,9 - B=36 125183000R06 | A=4,3 - B=29,6 245043000R06 | 219021401 | 2550E0005R02 |
| --- | --- | --- | --- | --- |
| 341048000R10 | A= 3,1 B= 43,5 125163000R06 | C= 4,3 D= 36,6 245103000R06 | 219041401 | 2550E0005R02 |
| 341053000R10 | A= 2,7 B= 51,5 125203000R06 | C= 4,1 D= 45,6 245113000R06 | 219051401 | 2550G0024R02 |
| 341053000R10 | A= 3,7 B= 54 125173000R06 | C= 4,5 D= 45,6 245163000R06 | 219051401 | 2550G0024R02 |
| 341053000R10 | A= 3,7 B= 54 125173000R06 | C= 5,8 D= 45,6 245183000R06 | 219081401 | 2550L0023R02 |

The codes for the tubes reference the 3 meter lengths packaged in multiples of 6 pieces.





| 1 3/8" Z21 | D8x32x38 | 1 3/4" Z6 | 1 3/4" Z20 | 1 3/8" Z21 | 1 3/4" Z6 | 1 3/4" Z20 | 1 3/8" Z6 | 1 3/8" Z21 | 1 3/4" Z6 | 1 3/4" Z20 |
|------------|-----------|-----------|------------|------------|-----------|------------|-----------|------------|-----------|------------|
| --- | --- | --- | --- | --- | --- | --- | --- | --- | --- | --- |
| B 87 | B 89 | --- | --- | --- | --- | --- | --- | --- | --- | --- |
| 5730C3789 | 5730C2175 | --- | --- | --- | --- | --- | --- | --- | --- | --- |
| --- | --- | --- | --- | --- | --- | --- | --- | --- | --- | --- |
| B 91 | B 103 | B 109 | B 109 | B 91 | B 109 | B 109 | B 103 | B 91 | --- | --- |
| 5730E3784 | 5730E2184 | 5730E0484 | 5730E3884 | 5730E3791 | 5730E0491 | 5730E3891 | 5110E0361 | 5110E3761 | --- | --- |
| B 106 | B 119 | B 120 | B 120 | B 106 | B 120 | B 120 | B 119 | B 106 | B 120 | B 120 |
| 5730G3784 | 5730G2184 | 5730G0484 | 5730G3884 | 5730G3791 | 5730G0491 | 5730G3891 | 5110G0361 | 5110G3761 | 5110G0461 | 5110G3861 |
| B 106 | B 119 | B 120 | B 120 | B 106 | B 120 | B 120 | B 119 | B 106 | B 120 | B 120 |
| 5730G3784 | 5730G2184 | 5730G0484 | 5730G3884 | 5730G3791 | 5730G0491 | 5730G3891 | 5110G0361 | 5110G3761 | 5110G0461 | 5110G3861 |
| B 114 | B 126 | B 127 | B 127 | B 114 | B 127 | B 127 | B 126 | B 114 | B 127 | B 127 |
| 5730L3784 | 5730L2184 | 5730L0484 | 5730L3887 | 5730L3791 | 5730L0491 | 5730L3891 | 5110L0361 | 5110L3761 | 5110L0461 | 5110L3861 |

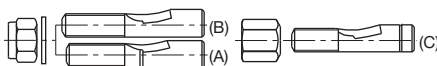
Ball collar repair kits



Taper pin yokes should only be mounted on the implement end of primary driveshafts.

| | G1 | G2 | G3 | G4 | G5-G7 | G8 |
|------------|-----|------------|-----|------------|------------|------------|
| 1 3/8" Z6 | --- | 435000323R | --- | 435000323R | 435000323R | 435000323R |
| 1 3/8" Z21 | --- | 435000323R | --- | 435000323R | 435000323R | 435000323R |
| D8x32x38 | --- | 435002115R | --- | 435002115R | 435002117R | 435002117R |
| 1 3/4" Z6 | --- | --- | --- | 435000420R | 435000420R | 435000420R |
| 1 3/4" Z20 | --- | --- | --- | 435000420R | 435000420R | 435000420R |

Tapered pin kits



Use pin that fits completely into hub. Discard other pins and nut.
Use tapered nut ONLY with pin (C) and yoke with counter-sunk hole.

| | G1 | G2 | G3 | G4 | G5 -G7 | G8 |
|------------|-----|-----|-----|------------|------------|------------|
| 1 3/8" Z6 | --- | --- | --- | 408000075R | 408000075R | 408000075R |
| 1 3/8" Z21 | --- | --- | --- | 408000075R | 408000075R | 408000075R |
| 1 3/4" Z6 | --- | --- | --- | --- | 408000076R | 408000076R |
| 1 3/4" Z20 | --- | --- | --- | --- | 408000076R | 408000076R |

Automatic ball collar
repair / retrofit kits

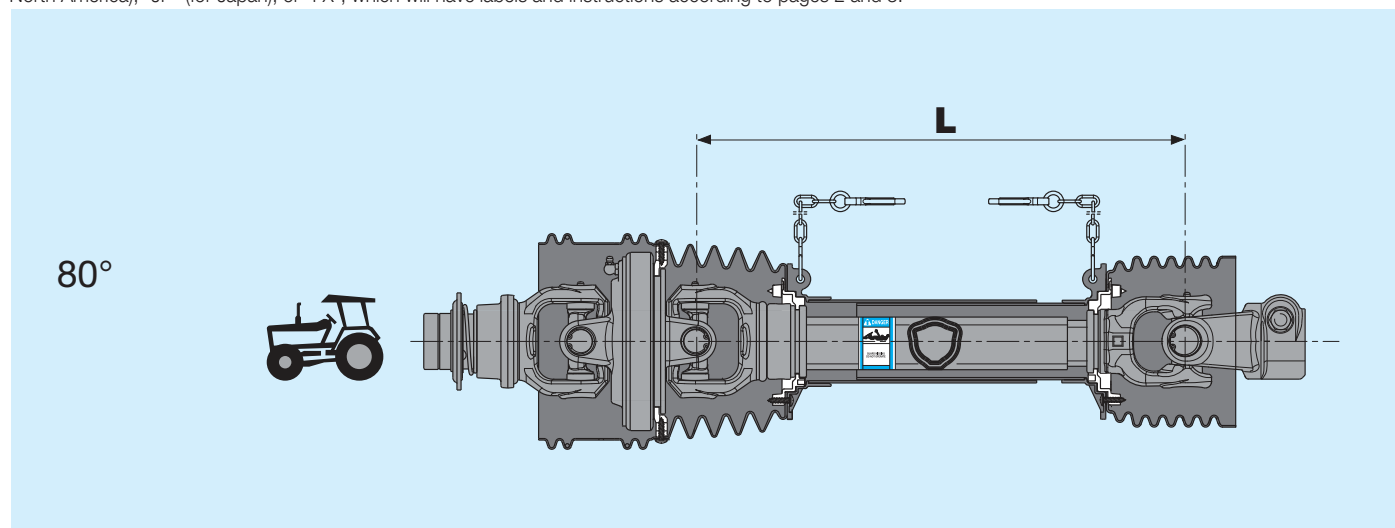


| | G1 | G2 | G3 | G4 | G5-G7 | G8 |
|------------|-----------|-----------|-----------|------------|--------------|------------|
| 1 3/8" Z6 | --- | --- | --- | 435000311R | 435000311R | 435000311R |
| 1 3/8" Z21 | --- | --- | --- | 435000311R | 435000311R | 435000311R |
| 1 3/4" Z6 | --- | --- | --- | 435000411R | 435000411R | 435000411R |
| 1 3/4" Z20 | --- | --- | --- | 435000411R | 435000411R | 435000411R |

Complete driveshafts

| 071 | 081 | 086 | 101 | 121 |
|-----------------|-----------------|-----------------|-----------------|-----------------|
| 710 | 810 | 860 | 1010 | 1210 |
| --- | --- | --- | --- | --- |
| 7G2R071CEWR7007 | 7G2R081CEWR7007 | 7G2R086CEWR7007 | 7G2R101CEWR7007 | 7G2R121CEWR7007 |
| --- | --- | --- | --- | --- |
| 7G4R071CEWR7007 | 7G4R081CEWR7007 | 7G4R086CEWR7007 | 7G4R101CEWR7007 | 7G4R121CEWR7007 |
| --- | --- | --- | 7G5R101CEWR7007 | --- |
| 7G7R071CEWR7007 | 7G7R081CEWR7007 | 7G7R086CEWR7007 | 7G7R101CEWR7007 | 7G7R121CEWR7007 |
| 7G8R071CEWS7007 | 7G8R081CEWS7007 | 7G8R086CEWS7007 | 7G8R101CEWS7007 | 7G8R121CEWS7007 |

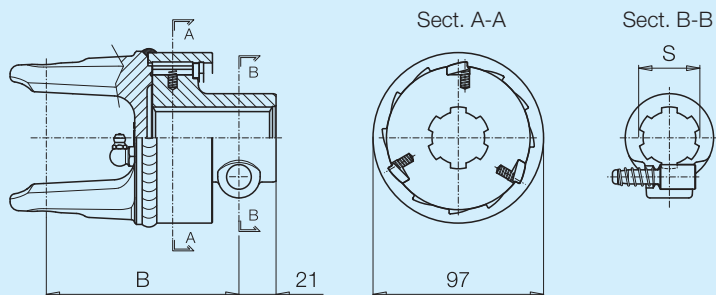
Codes above are equipped with CE mark (includes CE labels, instructions, and declaration of conformity). For other countries, the "CE" may be replaced by "U2" (for North America), "JP" (for Japan), or "FX", which will have labels and instructions according to pages 2 and 3.





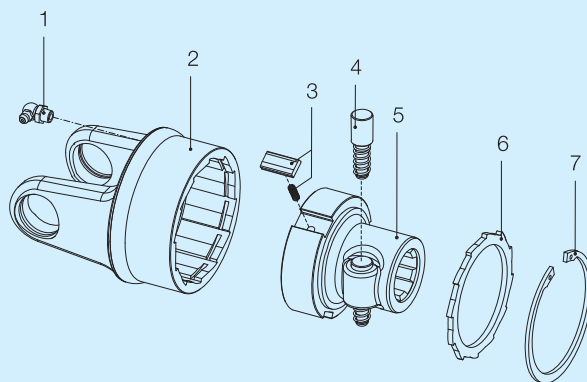
RA1

Maximum torque
2400 Nm



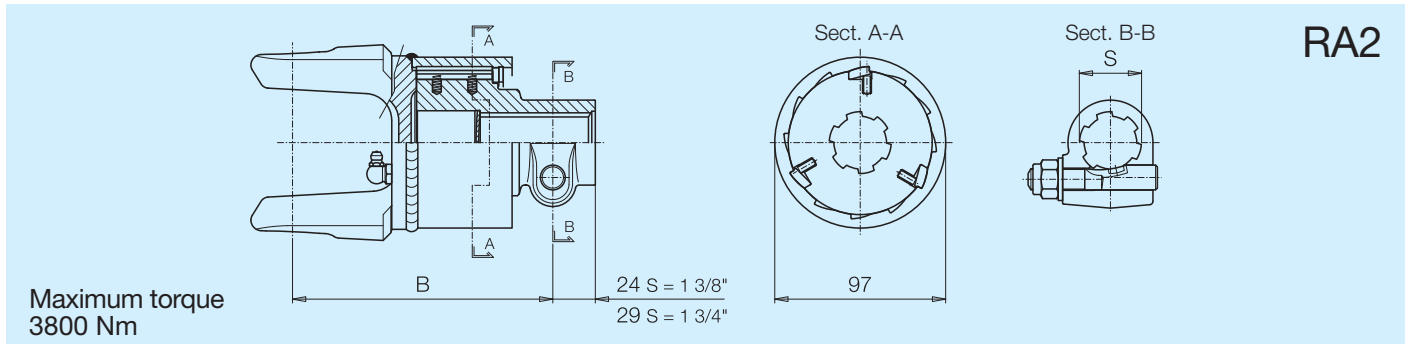
| Size | B (mm) | | | | Spare parts code | | | | |
|-------|----------------|-----------------|----------------|-----------------|------------------|----------------|------------|-----------|------------|
| | S 1 3/8" Z6 | S 1 3/8" Z21 | S 1 3/4" Z6 | S 1 3/4" Z20 | 1 3/8" Z6 | 1 3/8" Z6 (SX) | 1 3/8" Z21 | 1 3/4" Z6 | 1 3/4" Z20 |
| G1 | 94 | 94 | --- | --- | 601101701R | 602101701R | 601101702R | --- | --- |
| G2 | 100 | 100 | --- | --- | 601102701R | 602102701R | 601102702R | --- | --- |
| G3-G4 | 109 | 109 | --- | --- | 601104701R | 602104701R | 601104702R | --- | --- |
| G5 | 112 | 112 | --- | --- | 601105704R | 602105701R | 601105702R | --- | --- |

The codes in columns with heading **(SX)** are for counter-clockwise rotation. All other codes are for clockwise rotation.



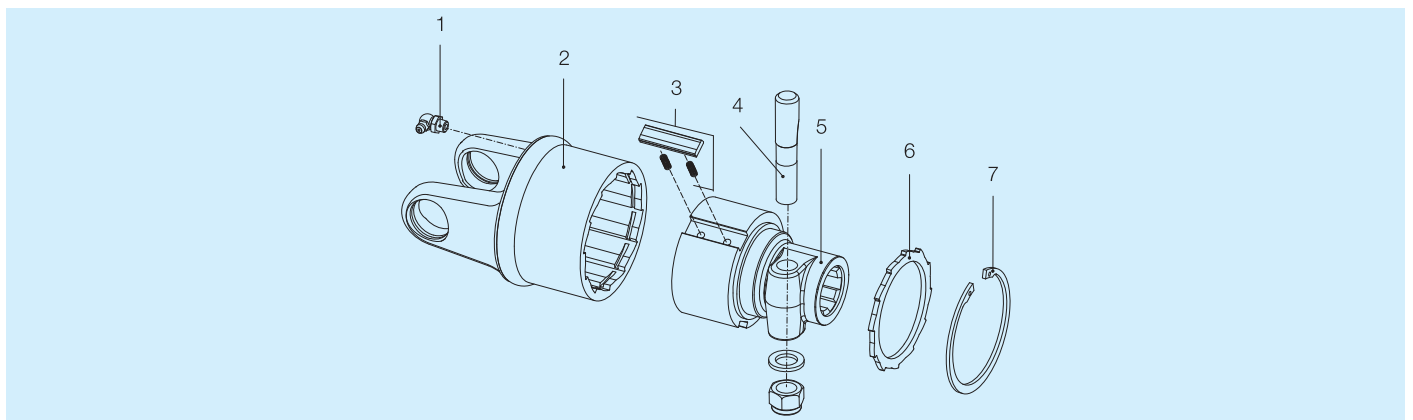
| Ref. | Size | Spare parts code | Description | Technical data |
|------|-------|------------------|----------------------|--------------------|
| 1 | | 348014000R20 | Grease fitting | |
| 2 | G1 | 418011201R | Outer housing + yoke | |
| | G2 | 418021201R | | |
| | G3-G4 | 418041203R | | |
| | G5 | 418051201R | | |
| 3 | | 4210C0001R03 | Pawl + spring kit | |
| 4 | | 403000001R10 | Push-pin kit | |
| 5 | | 5130C0301R | Hub with push-pin | 1 3/8" Z6 |
| | | 5130C3701R | | 1 3/8" Z21 |
| 6 | | 246000132R02 | Locking plate | |
| 7 | | 338005000R20 | Snap ring | 82 x 2.5 DIN 472/1 |

For primary drivelines, always install any torque limiter or overrunning clutch on the implement side.
All rotating parts must be guarded.



| Size | B (mm) | | | | Spare parts code | | | | |
|------|----------------|-----------------|----------------|-----------------|------------------|----------------|------------|------------|------------|
| | S 1 3/8" Z6 | S 1 3/8" Z21 | S 1 3/4" Z6 | S 1 3/4" Z20 | 1 3/8" Z6 | 1 3/8" Z6 (SX) | 1 3/8" Z21 | 1 3/4" Z6 | 1 3/4" Z20 |
| G5 | 140 | 140 | 142 | 142 | 601205601R | 602205601R | 601205602R | 601205603R | 601205604R |
| G7 | 147 | 147 | 149 | 149 | 601206601R | 602206601R | 601206602R | 601206603R | 601206604R |
| G8 | 160 | 160 | 162 | 162 | 601217601R | --- | 601217602R | 601217603R | 601217604R |

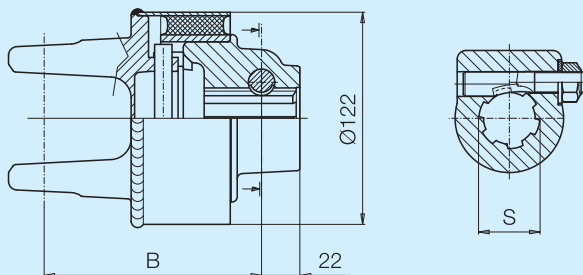
The codes in columns with heading **(SX)** are for counter-clockwise rotation. All other codes are for clockwise rotation.



| Ref. | Size | Spare parts code | Description | Technical data |
|------|------|------------------|----------------------|--------------------|
| 1 | | 348014000R20 | Grease fitting | |
| 2 | G5 | 418052203R | Outer housing + yoke | |
| | G7 | 418062203R | | |
| | G8 | 418172203R | | |
| 3 | | 4210E0001R03 | Pawl + spring kit | |
| 4 | | 408000047R02 | Taper pin | 1 3/8" Z6 - Z21 |
| | | 408000046R02 | | 1 3/4" Z6 - Z20 |
| 5 | | 5150E0301R | Hub with taper pin | 1 3/8" Z6 |
| | | 5150E3701R | | 1 3/8" Z21 |
| | | 5150E0401R | | 1 3/4" Z6 |
| | | 5150E3801R | | 1 3/4" Z20 |
| 6 | | 246000132R02 | Locking plate | 1 3/8" Z6 - Z21 |
| | | 246000134R02 | Split locking plate | 1 3/4" Z6 - Z20 |
| 7 | | 338005000R20 | Snap ring | 82 x 2.5 DIN 472/1 |

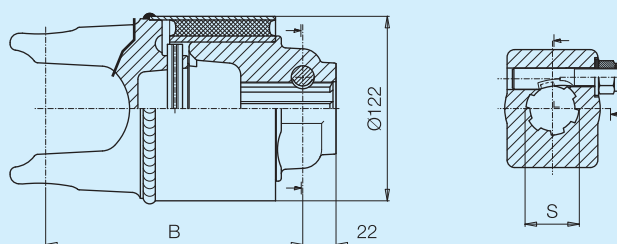
For primary drivelines, always install any torque limiter or overrunning clutch on the implement side. All rotating parts must be guarded.

GE4



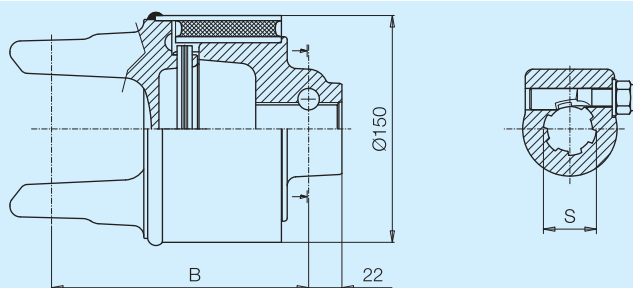
| Size Maximum torque | B (mm) | | | | Spare parts code | | | |
|------------------------|-----------|------------|-----------|------------|------------------|------------|-----------|------------|
| | S | S | S | S | 1 3/8" Z6 | 1 3/8" Z21 | 1 3/4" Z6 | 1 3/4" Z20 |
| 1700 Nm | 1 3/8" Z6 | 1 3/8" Z21 | 1 3/4" Z6 | 1 3/4" Z20 | 1 3/8" Z6 | 1 3/8" Z21 | 1 3/4" Z6 | 1 3/4" Z20 |
| G4 | 123 | 123 | --- | --- | 608E46501R | 608E46502R | --- | --- |
| G5 | 134 | 134 | --- | --- | 608G46501R | 608G46502R | --- | --- |

GE6



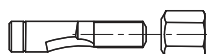
| Size Maximum torque | B (mm) | | | | Spare parts code | | | |
|------------------------|-----------|------------|-----------|------------|------------------|------------|------------|------------|
| | S | S | S | S | 1 3/8" Z6 | 1 3/8" Z21 | 1 3/4" Z6 | 1 3/4" Z20 |
| 1700 Nm | 1 3/8" Z6 | 1 3/8" Z21 | 1 3/4" Z6 | 1 3/4" Z20 | 1 3/8" Z6 | 1 3/8" Z21 | 1 3/4" Z6 | 1 3/4" Z20 |
| G7 | 170 | 170 | 170 | 170 | 608H65501R | 608H65502R | 608H65503R | 608H65504R |
| 3000 Nm | 170 | 170 | 170 | 170 | 608H66501R | 608H66502R | 608H66503R | 608H66504R |

GE8

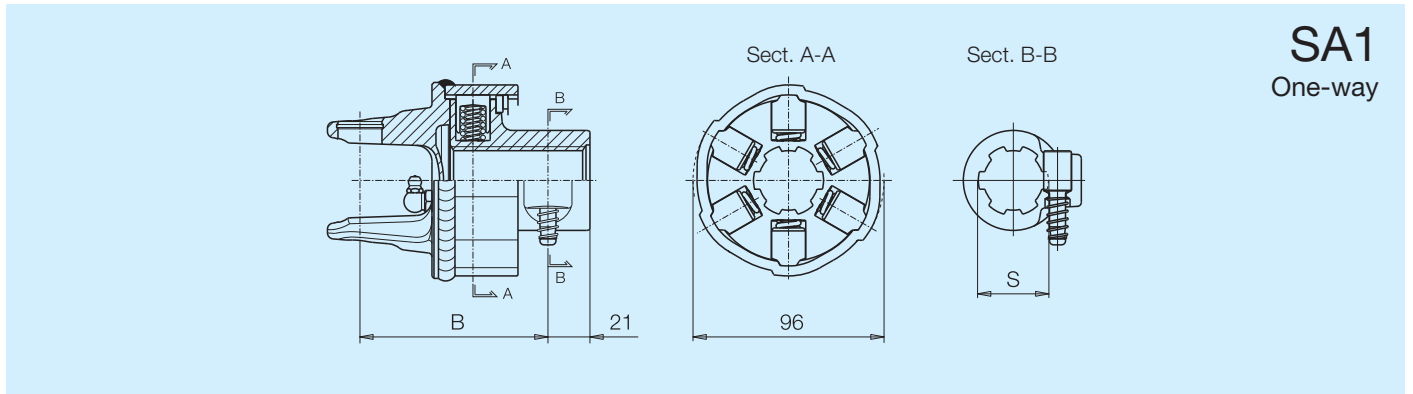


| Size Maximum torque | B (mm) | | | | Spare parts code | | | |
|------------------------|-----------|------------|-----------|------------|------------------|------------|------------|------------|
| | S | S | S | S | 1 3/8" Z6 | 1 3/8" Z21 | 1 3/4" Z6 | 1 3/4" Z20 |
| 5000 Nm | 1 3/8" Z6 | 1 3/8" Z21 | 1 3/4" Z6 | 1 3/4" Z20 | 1 3/8" Z6 | 1 3/8" Z21 | 1 3/4" Z6 | 1 3/4" Z20 |
| G8 | 169 | 169 | 169 | 169 | 608L86501R | 608L86502R | 608L86503R | 608L86504R |

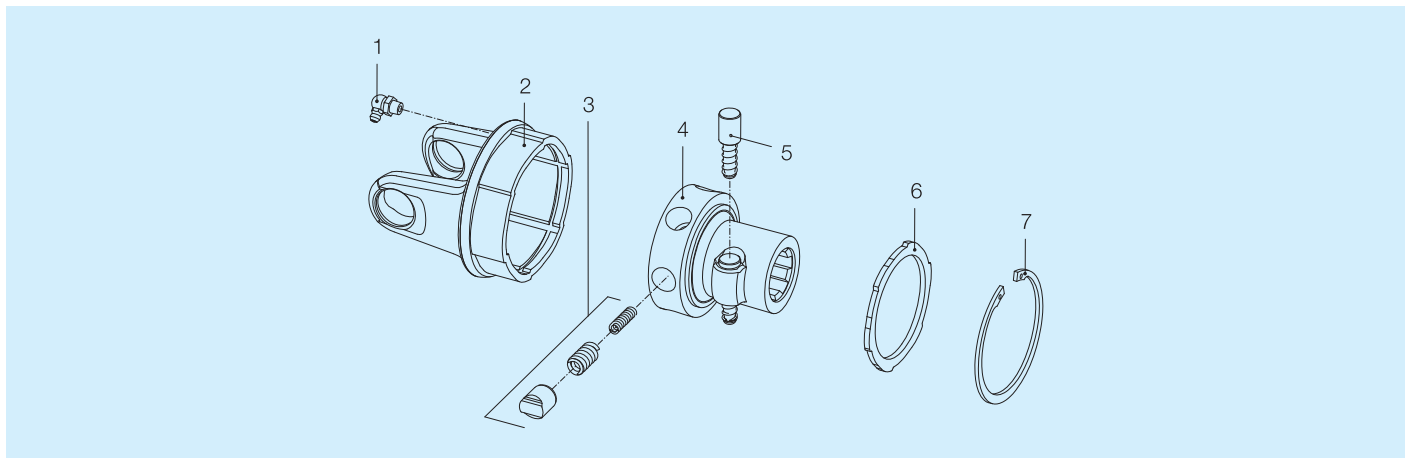
Taper pin



| | | | |
|--------------|--------------|--------------|--------------|
| 1 3/8" Z6 | 1 3/8" Z21 | 1 3/4" Z6 | 1 3/4" Z20 |
| 408000047R02 | 408000047R02 | 408000046R02 | 408000046R02 |



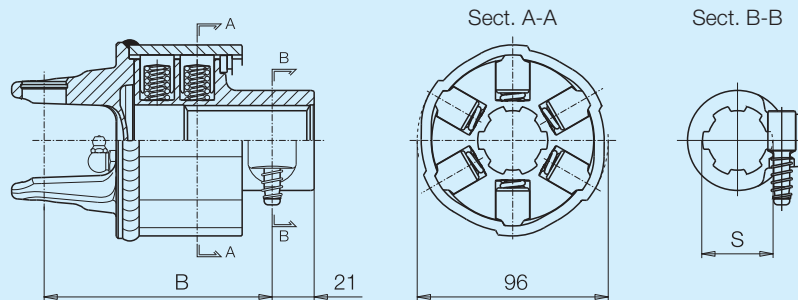
| Size | Torque Nm | B (mm) | | | | Spare parts code | | | |
|------|--------------|----------------|-----------------|----------------|-----------------|------------------|------------|-----------|------------|
| | | S 1 3/8" Z6 | S 1 3/8" Z21 | S 1 3/4" Z6 | S 1 3/4" Z20 | 1 3/8" Z6 | 1 3/8" Z21 | 1 3/4" Z6 | 1 3/4" Z20 |
| G1 | 400 | 94 | --- | --- | --- | 610124001R | --- | --- | --- |



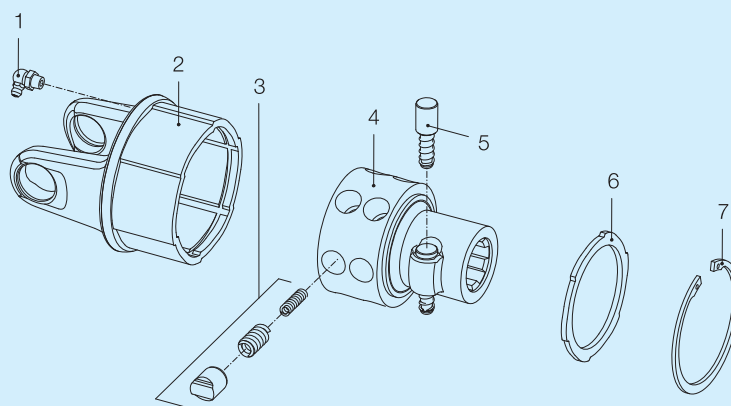
| Ref. | Size | Spare parts code | Description | Technical data |
|------|------|------------------|----------------------|--------------------|
| 1 | | 348014000R20 | Grease fitting | |
| 2 | G1 | 422011020R | Outer housing + yoke | |
| 3 | | 421340001R06 | Ratchet + spring kit | |
| 4 | | 513340302R | Hub with push-pin | 1 3/8" Z6 |
| 5 | | 403000001R10 | Push-pin kit | |
| 6 | | 240000033R02 | Locking plate | |
| 7 | | 338005000R20 | Snap ring | 82 x 2.5 DIN 472/1 |

For primary drivelines, always install any torque limiter or overrunning clutch on the implement side. All rotating parts must be guarded. Ratchet torque limiters should be used only on drivelines operating at speeds less than 700 min⁻¹.

SA2 One-way

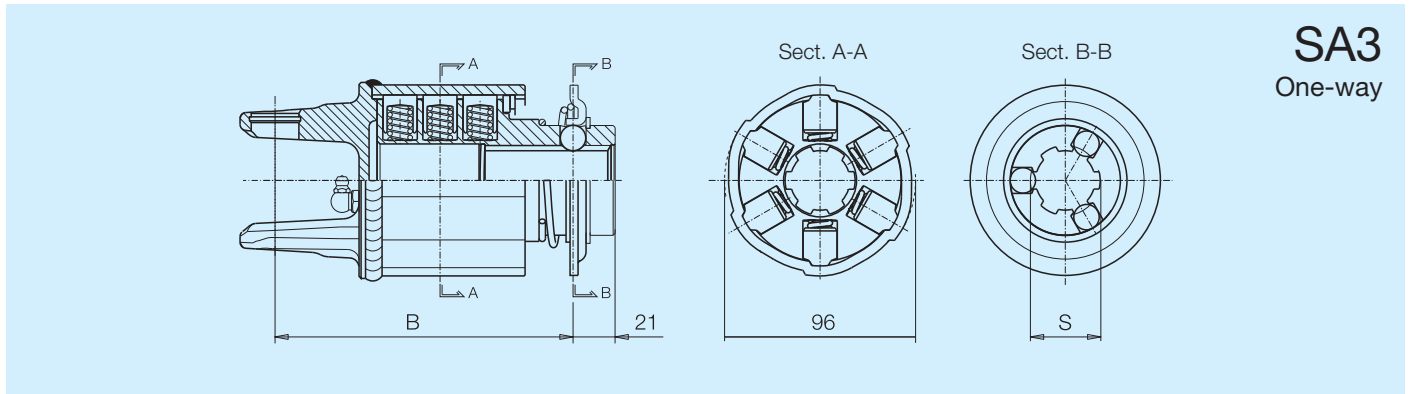


| Size | Torque Nm | B (mm) | | | | Spare parts code | | | |
|------|--------------|----------------|-----------------|----------------|-----------------|------------------|------------|-----------|------------|
| | | S 1 3/8" Z6 | S 1 3/8" Z21 | S 1 3/4" Z6 | S 1 3/4" Z20 | 1 3/8" Z6 | 1 3/8" Z21 | 1 3/4" Z6 | 1 3/4" Z20 |
| G1 | 650 | 114 | --- | --- | --- | 610234001R | --- | --- | --- |
| G2 | 650 | 120 | --- | --- | --- | 611234005R | --- | --- | --- |
| | 800 | | | | | 611239001R | --- | --- | --- |

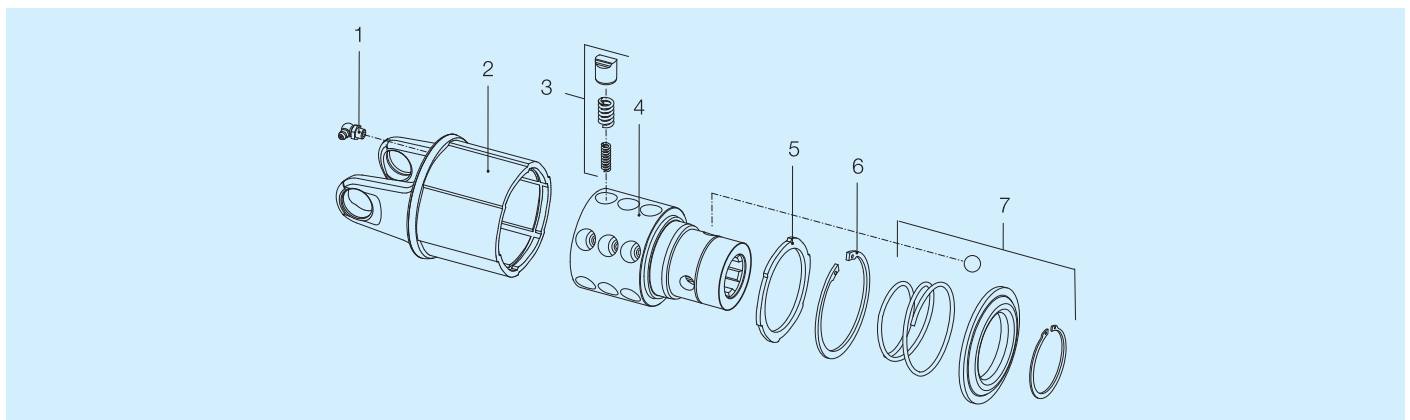


| Ref. | Size | Spare parts code | Description | Technical data |
|------|------|------------------|----------------------|--------------------|
| 1 | | 348014000R20 | Grease fitting | |
| 2 | G1 | 422012020R | Outer housing + yoke | |
| | G2 | 422022020R | | |
| 3 | | 421340001R06 | Ratchet + spring kit | |
| 4 | | 513350302R | Hub with push-pin | 1 3/8" Z6 |
| 5 | | 403000001R10 | Push-pin kit | |
| 6 | | 240000033R02 | Locking plate | |
| 7 | | 338005000R20 | Snap ring | 82 x 2.5 DIN 472/1 |

For primary drivelines, always install any torque limiter or overrunning clutch on the implement side. All rotating parts must be guarded. Ratchet torque limiters should be used only on drivelines operating at speeds less than 700 min⁻¹.



| Size | Torque Nm | B (mm) | | | | Spare parts code | | | |
|-------|--------------|----------------|-----------------|----------------|-----------------|------------------|------------|-----------|------------|
| | | S 1 3/8" Z6 | S 1 3/8" Z21 | S 1 3/4" Z6 | S 1 3/4" Z20 | 1 3/8" Z6 | 1 3/8" Z21 | 1 3/4" Z6 | 1 3/4" Z20 |
| G2 | 900 | 149 | --- | --- | --- | 611341501R | --- | --- | --- |
| G3-G4 | 1000 | 158 | --- | --- | --- | 613344501R | --- | --- | --- |
| | 1200 | | | | | 613348501R | --- | --- | --- |
| G5 | 1200 | 161 | --- | --- | --- | 614348501R | --- | --- | --- |

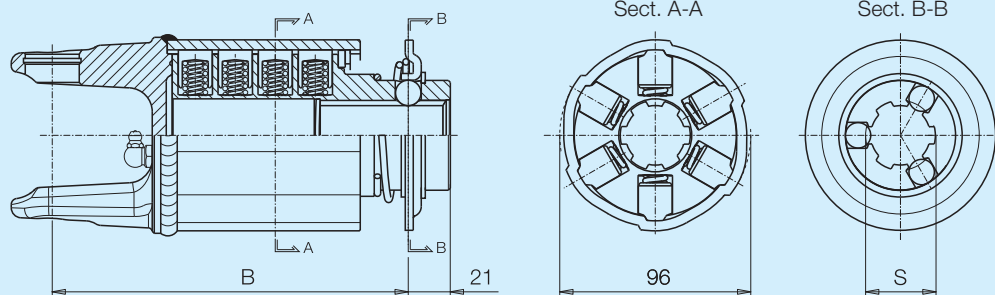


| Ref. | Size | Spare parts code | Description | Technical data |
|------|-------|------------------|----------------------|--------------------|
| 1 | | 348014000R20 | Grease fitting | |
| 2 | G2 | 422023020R | Outer housing + yoke | |
| | G3-G4 | 422043020R | | |
| | G5 | 422053020R | | |
| 3 | | 421340001R06 | Ratchet + spring kit | |
| 4 | | 2270Q0303R | Hub | 1 3/8" Z6 |
| 5 | | 240000033R02 | Locking plate | |
| 6 | | 338005000R20 | Snap ring | 82 x 2.5 DIN 472/1 |
| 7 | | 435000321R | Ball collar kit | |

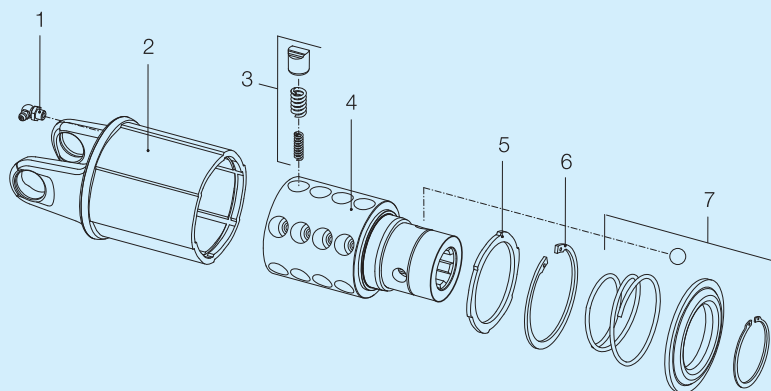
For primary drivelines, always install any torque limiter or overrunning clutch on the implement side. All rotating parts must be guarded. Ratchet torque limiters should be used only on drivelines operating at speeds less than 700 min⁻¹.

SA4

One-way

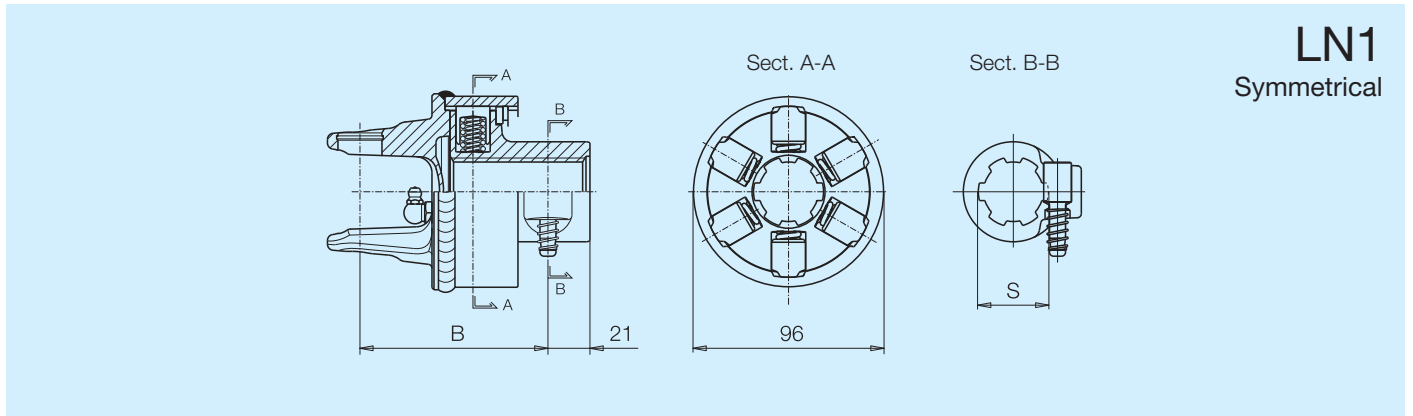


| Size | Torque Nm | B (mm) | | | | Spare parts code | | | |
|-------|--------------|----------------|-----------------|----------------|-----------------|------------------|------------|-----------|------------|
| | | S 1 3/8" Z6 | S 1 3/8" Z21 | S 1 3/4" Z6 | S 1 3/4" Z20 | 1 3/8" Z6 | 1 3/8" Z21 | 1 3/4" Z6 | 1 3/4" Z20 |
| G3-G4 | 1400 | 178 | --- | --- | --- | 613452501R | --- | --- | --- |
| | 1600 | | | | | 613456501R | --- | --- | --- |
| G5 | 1400 | 181 | --- | --- | --- | 614452501R | --- | --- | --- |
| | 1600 | | | | | 614456501R | --- | --- | --- |
| G7 | 1400 | 188 | --- | --- | --- | 615452501R | --- | --- | --- |
| | 1600 | | | | | 615456501R | --- | --- | --- |

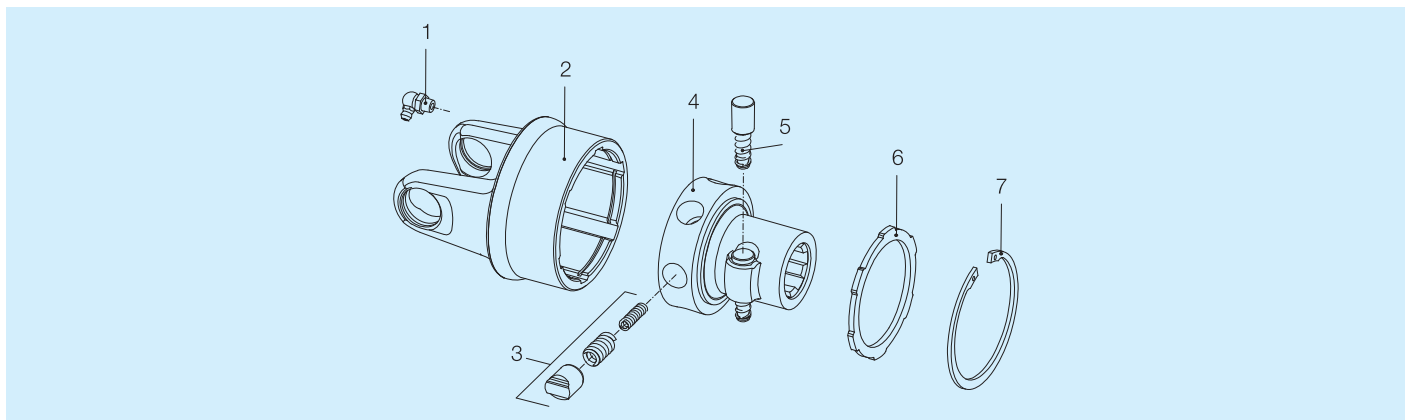


| Ref. | Size | Spare parts code | Description | Technical data |
|------|-------|------------------|----------------------|--------------------|
| 1 | | 348014000R20 | Grease fitting | |
| 2 | G3-G4 | 422044020R | Outer housing + yoke | |
| | G5 | 422054020R | | |
| | G7 | 422064020R | | |
| 3 | | 421340001R06 | Ratchet + spring kit | |
| 4 | | 2270R0302R | Hub | 1 3/8" Z6 |
| 5 | | 240000033R02 | Locking plate | |
| 6 | | 338005000R20 | Snap ring | 82 x 2.5 DIN 472/1 |
| 7 | | 435000321R | Ball collar kit | |

For primary drivelines, always install any torque limiter or overrunning clutch on the implement side. All rotating parts must be guarded. Ratchet torque limiters should be used only on drivelines operating at speeds less than 700 min⁻¹.



| Size | Torque Nm | B (mm) | | | | Spare parts code | | | |
|------|--------------|----------------|-----------------|----------------|-----------------|------------------|------------|-----------|------------|
| | | S 1 3/8" Z6 | S 1 3/8" Z21 | S 1 3/4" Z6 | S 1 3/4" Z20 | 1 3/8" Z6 | 1 3/8" Z21 | 1 3/4" Z6 | 1 3/4" Z20 |
| G1 | 300 | 94 | --- | --- | --- | 60A1B1903R | --- | --- | --- |

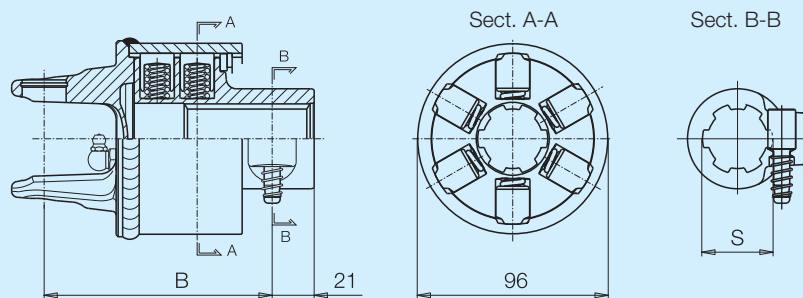


| Ref. | Size | Spare parts code | Description | Technical data |
|------|------|------------------|----------------------|--------------------|
| 1 | | 348014000R20 | Grease fitting | |
| 2 | G1 | 422B0S301R | Outer housing + yoke | |
| 3 | | 421340007R06 | Ratchet + spring kit | |
| 4 | | 513340302R | Hub with push-pin | 1 3/8" Z6 |
| 5 | | 403000001R10 | Push-pin kit | |
| 6 | | 240000294R02 | Locking plate | |
| 7 | | 338005000R20 | Snap ring | 82 x 2.5 DIN 472/1 |

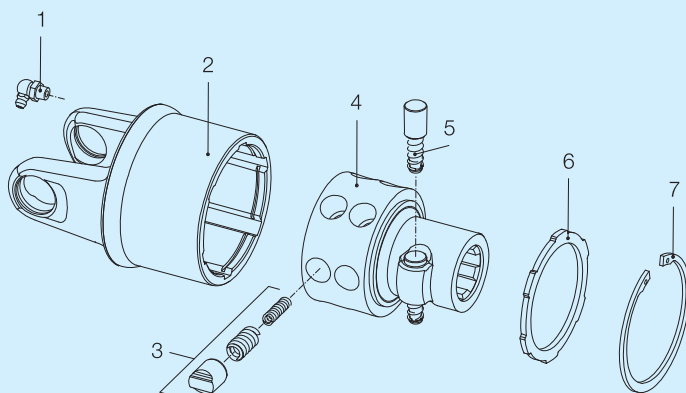
For primary drivelines, always install any torque limiter or overrunning clutch on the implement side. All rotating parts must be guarded. Ratchet torque limiters should be used only on drivelines operating at speeds less than 700 min⁻¹.

LN2

Symmetrical

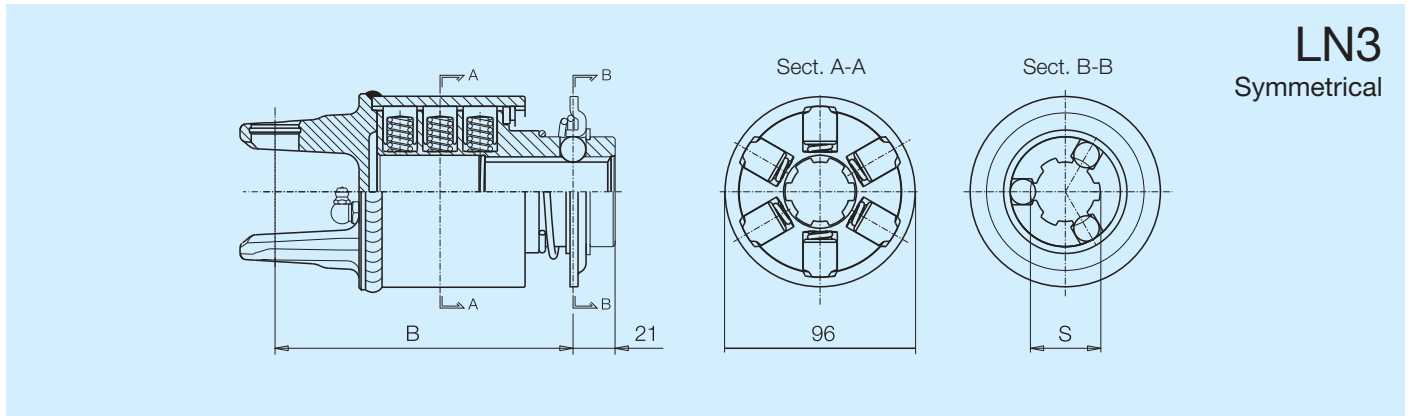


| Size | Torque Nm | B (mm) | | | | Spare parts code | | | |
|------|--------------|----------------|-----------------|----------------|-----------------|------------------|------------|-----------|------------|
| | | S 1 3/8" Z6 | S 1 3/8" Z21 | S 1 3/4" Z6 | S 1 3/4" Z20 | 1 3/8" Z6 | 1 3/8" Z21 | 1 3/4" Z6 | 1 3/4" Z20 |
| G1 | 460 | 114 | --- | --- | --- | 60A2B2603R | --- | --- | --- |
| | 600 | | | | | 60A2B3203R | --- | --- | --- |
| G2 | 600 | 120 | --- | --- | --- | 60A2C3203R | --- | --- | --- |

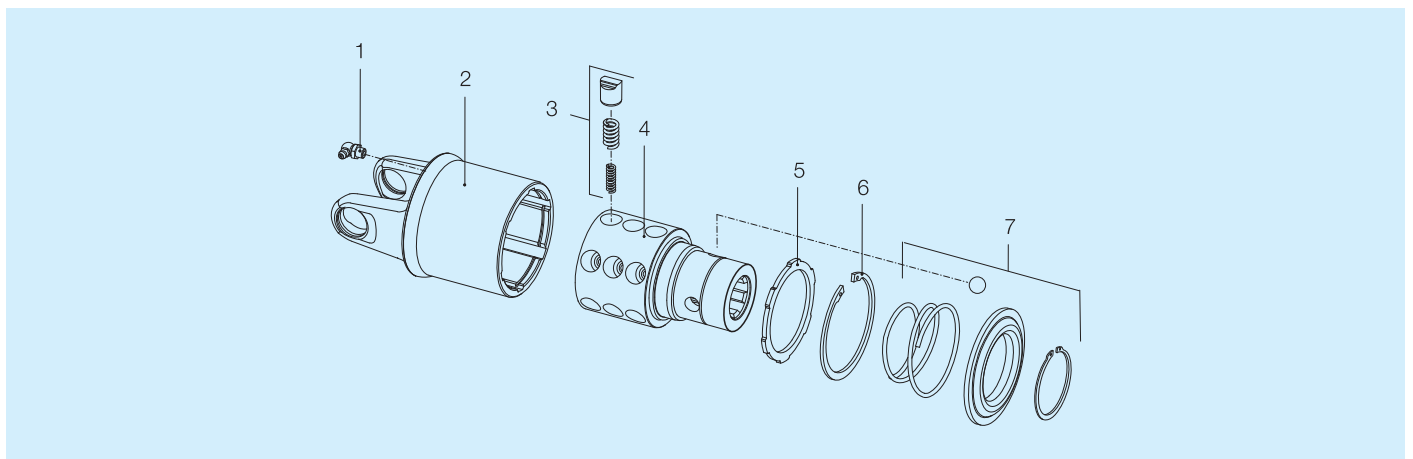


| Ref. | Size | Spare parts code | Description | Technical data |
|------|------|------------------|----------------------|--------------------|
| 1 | | 348014000R20 | Grease fitting | |
| 2 | G1 | 422B0T301R | Outer housing + yoke | |
| | G2 | 422C0T301R | | |
| 3 | | 421340007R06 | Ratchet + spring kit | |
| 4 | | 513350302R | Hub with push-pin | 1 3/8" Z6 |
| 5 | | 403000001R10 | Push-pin kit | |
| 6 | | 240000294R02 | Locking plate | |
| 7 | | 338005000R20 | Snap ring | 82 x 2.5 DIN 472/1 |

For primary drivelines, always install any torque limiter or overrunning clutch on the implement side. All rotating parts must be guarded. Ratchet torque limiters should be used only on drivelines operating at speeds less than 700 min⁻¹.



| Size | Torque Nm | B (mm) | | | | Spare parts code | | | |
|------|--------------|----------------|-----------------|----------------|-----------------|------------------|------------|-----------|------------|
| | | S 1 3/8" Z6 | S 1 3/8" Z21 | S 1 3/4" Z6 | S 1 3/4" Z20 | 1 3/8" Z6 | 1 3/8" Z21 | 1 3/4" Z6 | 1 3/4" Z20 |
| G2 | 800 | 149 | --- | --- | --- | 60B3C3903R | --- | --- | --- |
| | 900 | | | | | 60B3C4103R | --- | --- | --- |

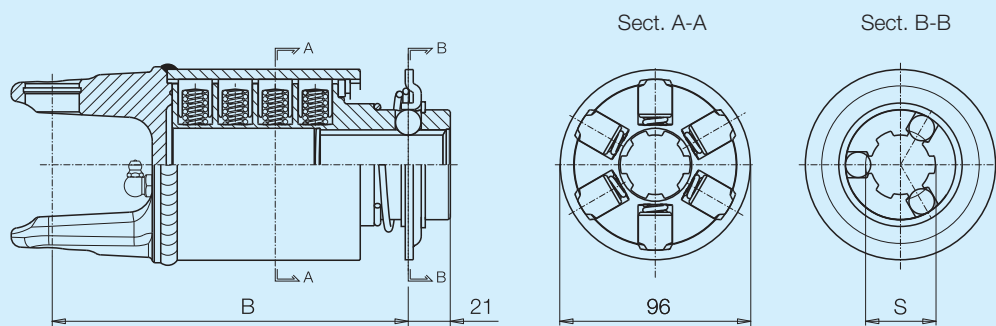


| Ref. | Size | Spare parts code | Description | Technical data |
|------|------|------------------|----------------------|--------------------|
| 1 | | 348014000R20 | Grease fitting | |
| 2 | G2 | 422C0U301R | Outer housing + yoke | |
| 3 | | 421340007R06 | Ratchet + spring kit | |
| 4 | | 2270Q0303R | Hub | 1 3/8" Z6 |
| 5 | | 240000294R02 | Locking plate | |
| 6 | | 338005000R20 | Snap ring | 82 x 2.5 DIN 472/1 |
| 7 | | 435000321R | Ball collar kit | |

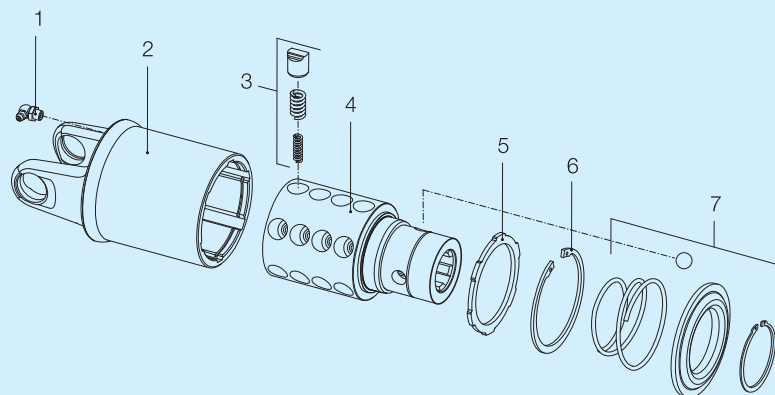
For primary drivelines, always install any torque limiter or overrunning clutch on the implement side. All rotating parts must be guarded. Ratchet torque limiters should be used only on drivelines operating at speeds less than 700 min⁻¹.

LN4

Symmetrical



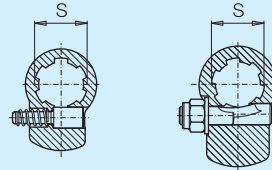
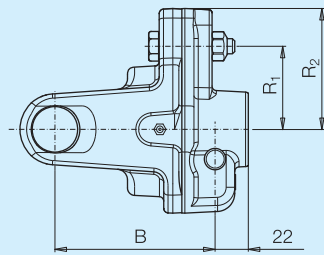
| Size | Torque Nm | B (mm) | | | | Spare parts code | | | |
|-------|--------------|----------------|-----------------|----------------|-----------------|------------------|------------|-----------|------------|
| | | S 1 3/8" Z6 | S 1 3/8" Z21 | S 1 3/4" Z6 | S 1 3/4" Z20 | 1 3/8" Z6 | 1 3/8" Z21 | 1 3/4" Z6 | 1 3/4" Z20 |
| G3-G4 | 1000 | 178 | --- | --- | --- | 60B4E4403R | --- | --- | --- |
| | 1200 | | | | | 60B4E4803R | --- | --- | --- |
| G5 | 1200 | 181 | --- | --- | --- | 60B4G4803R | --- | --- | --- |



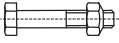
| Ref. | Size | Spare parts code | Description | Technical data |
|------|-------|------------------|----------------------|--------------------|
| 1 | | 348014000R20 | Grease fitting | |
| 2 | G3-G4 | 422E0V301R | Outer housing + yoke | |
| | G5 | 422G0V301R | | |
| 3 | | 421340007R06 | Ratchet + spring kit | |
| 4 | | 2270R0302R | Hub | 1 3/8" Z6 |
| 5 | | 240000294R02 | Locking plate | |
| 6 | | 338005000R20 | Snap ring | 82 x 2.5 DIN 472/1 |
| 7 | | 435000321R | Ball collar kit | |

For primary drivelines, always install any torque limiter or overrunning clutch on the implement side. All rotating parts must be guarded. Ratchet torque limiters should be used only on drivelines operating at speeds less than 700 min⁻¹.

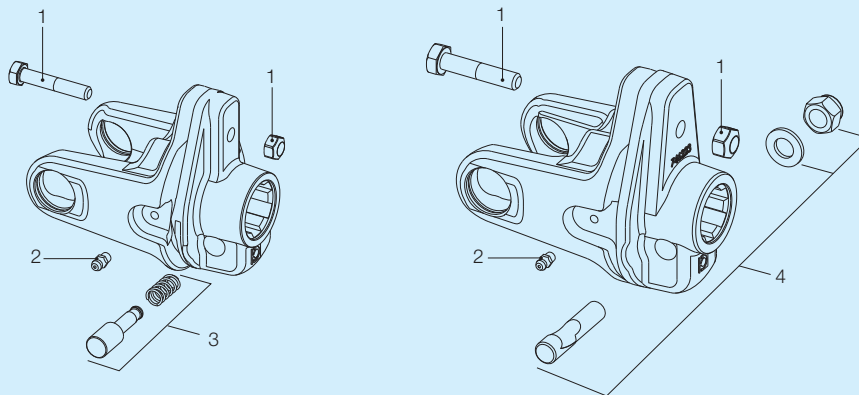
LB




Push-pin for sizes G1, G2, G3, G4 Taper pin for sizes G5, G7, G8

| Size | Torque Nm | B mm | R ₁ mm | R ₂ mm | Spare parts code | | | |  |
|------|-----------|------|-------------------|-------------------|------------------|------------|------------|------------|---|
| | | | | | 1 3/8" Z6 | 1 3/8" Z21 | 1 3/4" Z6 | 1 3/4" Z20 | |
| G1 | 650 | 80 | 37 | 68 | 6060B0304R | 6060B3703R | --- | --- | 432000002R05 |
| | 700 | | 40 | | 6060B0302R | 6060B3702R | --- | --- | 432000002R05 |
| G2 | 950 | 87 | 55 | 68 | 6060C0302R | 6060C3702R | --- | --- | 432000002R05 |
| | 1050 | | 60 | | 6060C0308R | 6060C3704R | --- | --- | 432000002R05 |
| G3 | 1400 | 93 | 45 | 68 | 6060E0303R | 6060E3704R | --- | --- | 432000047R05 |
| | 1700 | | 55 | | 6060E0302R | 6060E3702R | --- | --- | 432000047R05 |
| G4 | 1400 | 93 | 45 | 68 | 6060E0303R | 6060E3704R | --- | --- | 432000047R05 |
| | 1700 | | 55 | | 6060E0302R | 6060E3702R | --- | --- | 432000047R05 |
| | 2000 | | 43 | | 6060E0309R | 6060E3711R | --- | --- | 432000053R05 |
| G5 | 2100 | 106 | 67 | 80 | 6060G0319R | 6060G3710R | 6060G0408R | 6060G3803R | 432000047R05 |
| | 2400 | | 50 | | 6060G0304R | 6060G3704R | 6060G0404R | 6060G3804R | 432000053R05 |
| G7 | 2400 | 112 | 50 | 80 | 6060H0306R | 6060H3707R | 6060H0404R | 6060H3807R | 432000053R05 |
| | 2700 | | 55 | | 6060H0302R | 6060H3702R | 6060H0402R | 6060H3802R | 432000053R05 |
| G8 | 2700 | 115 | 55 | 80 | 6060L0303R | 6060L3703R | 6060L0404R | 6060L3807R | 432000053R05 |
| | 3200 | | 66 | | 6060L0305R | 6060L3704R | 6060L0407R | 6060L3808R | 432000053R05 |

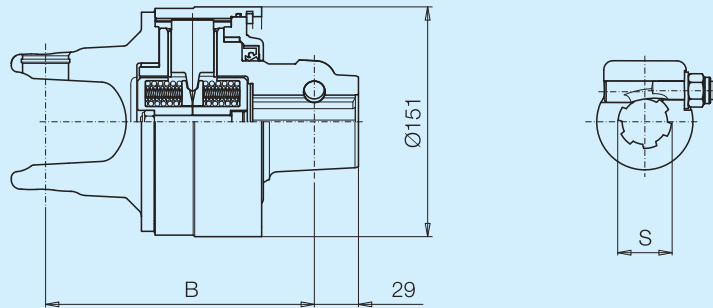
The torque setting, assigned according to type and size of telescoping members, must never exceed the maximum torque of the driveline Mmax.



| Ref. | Size | Spare parts code | Description | Technical data |
|------|------|------------------|----------------|-----------------|
| 1 | | 432000002R05 | Bolt | M6x40 Cl. 8.8 |
| | | 432000047R05 | | M8x45 Cl. 8.8 |
| | | 432000053R05 | | M10x50 Cl. 8.8 |
| 2 | | 348017000R20 | Grease fitting | |
| 3 | | 403000001R10 | Push-pin kit | 1 3/8" Z6 - Z21 |
| 4 | | 408000048R02 | Taper pin | 1 3/8" Z6 - Z21 |
| | | 408000052R02 | | 1 3/4" Z6 - Z20 |

 For primary drivelines, always install any torque limiter or overrunning clutch on the implement side. All rotating parts must be guarded.

LR23



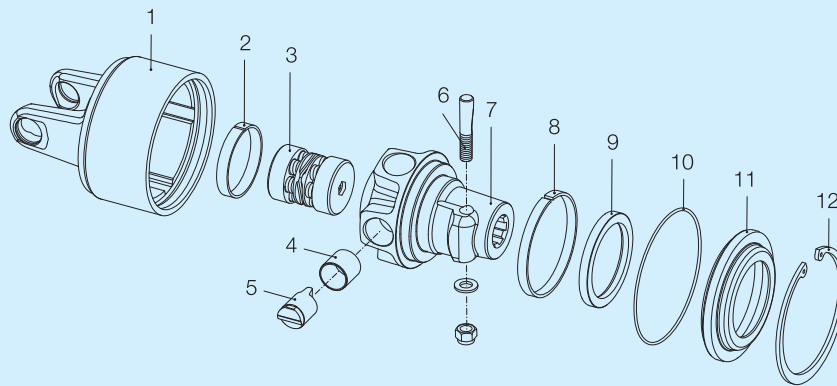
| Size | Torque Nm | B (mm) | | | | Spare parts codes for use at 540 min ⁻¹ | | | |
|------|--------------|----------------|-----------------|----------------|-----------------|--|------------|------------|------------|
| | | S 1 3/8" Z6 | S 1 3/8" Z21 | S 1 3/4" Z6 | S 1 3/4" Z20 | 1 3/8" Z6 | 1 3/8" Z21 | 1 3/4" Z6 | 1 3/4" Z20 |
| G4 | 1200 | 172 | 172 | 172 | 172 | 6WE148003R | 6WE148037R | 6WE148004R | 6WE148038R |
| | 1500 | | | | | 6WE154003R | 6WE154037R | 6WE154004R | 6WE154038R |
| | 1700 | | | | | 6WE157003R | 6WE157037R | 6WE157004R | 6WE157038R |
| | 1900 | | | | | 6WE159003R | 6WE159037R | 6WE159004R | 6WE159038R |
| | | | | | | 6WE159902R (SX) | --- | --- | --- |
| G5 | 1500 | 177 | 177 | 177 | 177 | 6WG154003R | 6WG154037R | 6WG154004R | 6WG154038R |
| | 1700 | | | | | 6WG157003R | 6WG157037R | 6WG157004R | 6WG157038R |
| | 1900 | | | | | 6WG159003R | 6WG159037R | 6WG159004R | 6WG159038R |
| | 2100 | | | | | 6WG161003R | 6WG161037R | 6WG161004R | 6WG161038R |
| | | | | | | 6WH161003R | 6WH161037R | 6WH161004R | 6WH161038R |
| G7 | 2100 | 184 | 184 | 184 | 184 | 6WH161003R | 6WH161037R | 6WH161004R | 6WH161038R |

The codes in columns with heading (SX) are for counter-clockwise rotation. All other codes are for clockwise rotation.

| Size | Torque Nm | B (mm) | | | | Spare parts codes for LR23 with improved re-engagement | | | |
|------|--------------|----------------|-----------------|----------------|-----------------|--|------------|------------|------------|
| | | S 1 3/8" Z6 | S 1 3/8" Z21 | S 1 3/4" Z6 | S 1 3/4" Z20 | 1 3/8" Z6 | 1 3/8" Z21 | 1 3/4" Z6 | 1 3/4" Z20 |
| G4 | 1200 | 172 | 172 | 172 | 172 | 6WEA48003R | 6WEA48037R | 6WEA48004R | 6WEA48038R |
| | 1500 | | | | | 6WEA54003R | 6WEA54037R | 6WEA54004R | 6WEA54038R |
| | 1700 | | | | | 6WEA57003R | 6WEA57037R | 6WEA57004R | 6WEA57038R |
| G5 | 1500 | 177 | 177 | 177 | 177 | 6WGA54003R | 6WGA54037R | 6WGA54004R | 6WGA54038R |
| | 1700 | | | | | 6WGA57003R | 6WGA57037R | 6WGA57004R | 6WGA57038R |
| | 1900 | | | | | 6WGA59003R | 6WGA59037R | 6WGA59004R | 6WGA59038R |
| | 2100 | | | | | 6WGA61003R | 6WGA61037R | 6WGA61004R | 6WGA61038R |
| | | | | | | 6WHA61003R | 6WHA61037R | 6WHA61004R | 6WHA61038R |
| G7 | 2100 | 184 | 184 | 184 | 184 | 6WHA61003R | 6WHA61037R | 6WHA61004R | 6WHA61038R |


For primary drivelines, always install any torque limiter or overrunning clutch on the implement side. All rotating parts must be guarded.

LR23

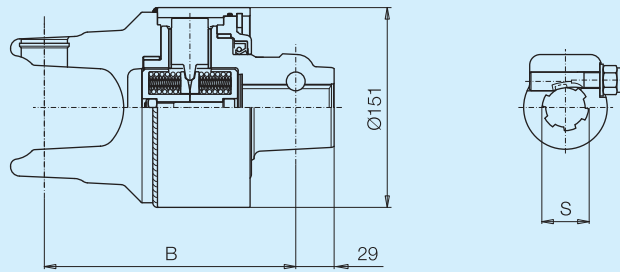


| Ref. | Size | Spare parts codes for use at 540 min ⁻¹ | Codes with improved re-engagement | Description | Technical data |
|------|------|--|-----------------------------------|--------------------------------|-------------------|
| 1 | G4 | 4310E1151R | 4310E1152R | Outer housing + yoke | |
| | G5 | 4310G1151R | 4310G1158R | | |
| | G7 | 431061151R | 4310H1151R | | |
| 2 | | 240000205R02 | 240000205R02 | Bushing | |
| 3 | | 421154801R | 421154801R | Spring pack* | 1200 Nm |
| | | 421155401R | 421155401R | | 1500 Nm |
| | | 421155701R | 421155701R | | 1700 Nm |
| | | 421155901R | 421155901R | | 1900 Nm |
| | | 421156101R | 421156101R | | 2100 Nm |
| 4 | | 258000100R05 | 258000100R05 | Sleeve | |
| 5 | | 250000101R05 | 250000101R05 | Cam | |
| 6 | | 408000047R02 | 408000047R02 | Taper pin | 1 3/8" Z6 - Z21 |
| | | 408000052R02 | 408000052R02 | | 1 3/4" Z6 - Z20 |
| 7 | | 515150301R | 515150301R | Hub with taper pin and bushing | 1 3/8" Z6 |
| | | 515153701R | 515153701R | | 1 3/8" Z21 |
| | | 515150401R | 515150401R | | 1 3/4" Z6 |
| | | 515153801R | 515153801R | | 1 3/4" Z20 |
| 8 | | 240000201R02 | 240000201R02 | Bushing | |
| 9 | | 355006080R02 | 355006080R02 | Sealing ring | 80 x 100 x 10 mm |
| 10 | | 358000006R02 | 358000006R02 | O-ring | 139 x 2.6 mm |
| 11 | | 240000202R02 | 240000202R02 | Locking plate | |
| 12 | | 338000138R20 | 338000138R20 | Snap ring | 138 x 4 DIN 472/1 |

* Other kits are available: 1400 Nm - 1800 Nm - 2000 Nm - 2200 Nm.
The codes should be requested from the commercial office.

 For primary drivelines, always install any torque limiter or overrunning clutch on the implement side.
All rotating parts must be guarded.

LR24



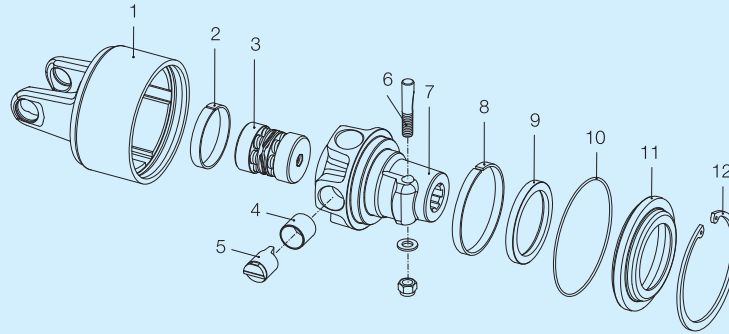
| Size | Torque Nm | B (mm) | | | | Spare parts codes for use at 540 min ⁻¹ | | | |
|------|--------------|----------------|-----------------|----------------|-----------------|--|------------|------------|------------|
| | | S 1 3/8" Z6 | S 1 3/8" Z21 | S 1 3/4" Z6 | S 1 3/4" Z20 | 1 3/8" Z6 | 1 3/8" Z21 | 1 3/4" Z6 | 1 3/4" Z20 |
| G7 | 2600 | 184 | 184 | 184 | 184 | 6WH266003R | 6WH266037R | 6WH266004R | 6WH266038R |
| | 3000 | | | | | | | | |
| G8 | 2500 | 184 | 184 | 184 | 184 | 6WL265003R | 6WL265037R | 6WL265004R | 6WL265038R |
| | 3000 | | | | | 6WL270003R | 6WL270037R | 6WL270004R | 6WL270038R |

| Size | Torque Nm | B (mm) | | | | Spare parts codes for LR24 with improved re-engagement | | | |
|------|--------------|----------------|-----------------|----------------|-----------------|--|------------|-----------------|-----------------|
| | | S 1 3/8" Z6 | S 1 3/8" Z21 | S 1 3/4" Z6 | S 1 3/4" Z20 | 1 3/8" Z6 | 1 3/8" Z21 | 1 3/4" Z6 | 1 3/4" Z20 |
| G7 | 2300 | 184 | 184 | 184 | 184 | | | 6WHE63901R (SX) | |
| | 2600 | | | | | 6WHE66003R | 6WHE66037R | 6WHE66004R | 6WHE66038R |
| G8 | 2500 | 184 | 184 | 184 | 184 | 6WLE65003R | 6WLE65037R | 6WLE65004R | 6WLE65038R |
| | | | | | | | | | 6WLE65904R (SX) |
| | 3000 | | | | | 6WLE70003R | 6WLE70037R | 6WLE70004R | 6WLE70038R |

The codes in columns with heading **(SX)** are for counter-clockwise rotation. All other codes are for clockwise rotation.


For primary drivelines, always install any torque limiter or overrunning clutch on the implement side. All rotating parts must be guarded.

LR24



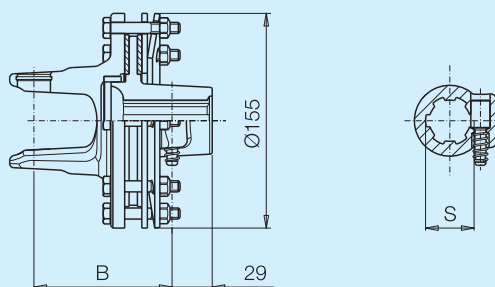
| Ref. | Size | Spare parts codes for use at 540 min ⁻¹ | Codes with improved re-engagement | Description | Technical data |
|------|------|--|-----------------------------------|---------------------------------|-------------------|
| | G7 | 431062152R | 4310HE151R | Outer housing | |
| | G8 | 4310L2152R | 4310LE151R | | |
| 2 | | 240000205R02 | 240000205R02 | Bushing | |
| 3 | | 421166502R | 421166505R | Spring kit* | 2500 Nm |
| | | 421166601R | 421166605R | | 2600 Nm |
| | | 421167001R | 421167005R | | 3000 Nm |
| 4 | | 258000100R05 | 258000100R05 | Sleeve | |
| 5 | | 250000108R05 | 250000101R05 | Cam | |
| 6 | | 408000047R02 | 408000047R02 | Taper pin | 1 3/8" Z6 - Z21 |
| | | 408000052R02 | 408000052R02 | | 1 3/4" Z6 - Z20 |
| 7 | | 515160301R | 515160305R | Hub with taper pin and bushings | 1 3/8" Z6 |
| | | 515163701R | 515163705R | | 1 3/8" Z21 |
| | | 515160401R | 515160405R | | 1 3/4" Z6 |
| | | 515163801R | 515163805R | | 1 3/4" Z20 |
| 8 | | 240000201R02 | 240000201R02 | Bushing | |
| 9 | | 355006080R02 | 355006080R02 | Sealing ring | 80 x 100 x 10 mm |
| 10 | | 358000006R02 | 358000006R02 | O-ring | 139 x 2.6 mm |
| 11 | | 240000202R02 | 240000202R02 | Locking plate | |
| 12 | | 338000138R20 | 338000138R20 | Snap ring | 138 x 4 DIN 472/1 |

*Other kits are available for use at 540 min⁻¹: 1700 Nm - 1900 Nm - 2000 Nm - 2100 Nm - 2300 Nm.
The codes should be requested from the commercial office.

 For primary drivelines, always install any torque limiter or overrunning clutch on the implement side.
All rotating parts must be guarded.

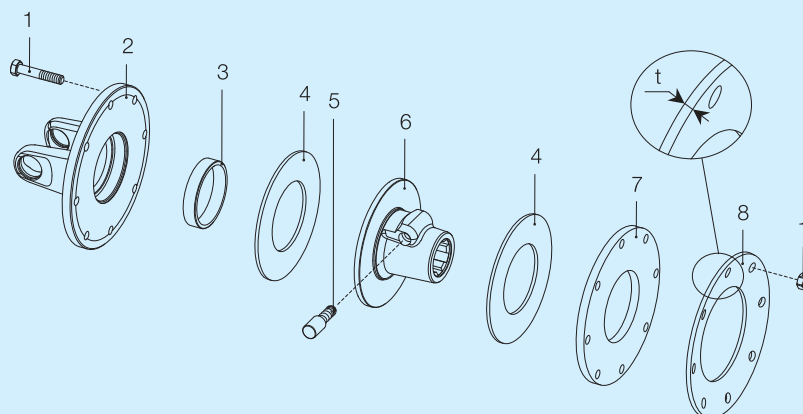
FV22

Adjustable setting



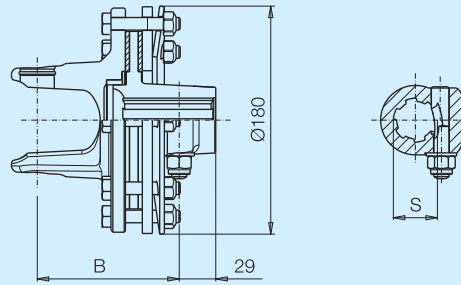
| Size | Torque Nm | B (mm) | | | | Spare parts code | | | |
|------|--------------|----------------|-----------------|----------------|-----------------|------------------|------------|-----------|------------|
| | | S 1 3/8" Z6 | S 1 3/8" Z21 | S 1 3/4" Z6 | S 1 3/4" Z20 | 1 3/8" Z6 | 1 3/8" Z21 | 1 3/4" Z6 | 1 3/4" Z20 |
| G1 | *400 | 92 | 92 | --- | --- | 661B24103R | 661B24137R | --- | --- |
| | 500 | | | | | 661B28103R | 661B28137R | --- | --- |
| G2 | *500 | 100 | 100 | --- | --- | 661C28103R | 661C28137R | --- | --- |
| | 600 | | | | | 661C32103R | 661C32137R | --- | --- |
| G3 | *600 | 101 | 101 | --- | --- | 661E32103R | 661E32137R | --- | --- |
| | 800 | | | | | 661E39103R | 661E39137R | --- | --- |
| G4 | 800 | 101 | 101 | --- | --- | 661E39103R | 661E39137R | --- | --- |

* Maximum recommended settings for 1000 min⁻¹ velocity.



| Ref. | Size | Spare parts code | Description | Technical data |
|------|-------|------------------|-------------------|---------------------|
| 1 | | 432000003R08 | Bolt | M8 x 50 mm |
| 2 | G1 | 2530B8503R | Flange yoke | |
| | G2 | 2530C8503R | | |
| | G3-G4 | 2530E8503R | | |
| 3 | | 258005320R02 | Bushing | |
| 4 | | 247006151R08 | Friction lining | D = 124 ; d = 67 mm |
| 5 | | 403000001R10 | Push-pin kit | 1 3/8" Z6 - Z21 |
| 6 | | 513850307R | Hub with push-pin | 1 3/8" Z6 |
| | | 513853707R | | 1 3/8" Z21 |
| 7 | | 2481A0001R02 | Pressure plate | Thickness = 4 mm |
| 8 | | 367005850R | Belleville spring | t = 3.75 mm |

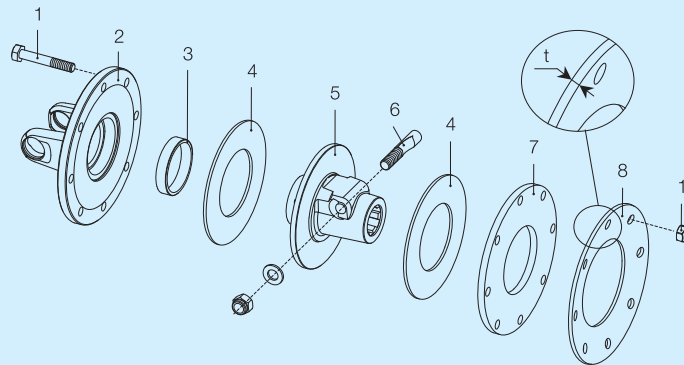
For primary drivelines, always install any torque limiter or overrunning clutch on the implement side.
All rotating parts must be guarded.



FV32
Adjustable setting

| Size | Torque Nm | B (mm) | | | | Spare parts code | | | |
|------|--------------|----------------|-----------------|----------------|-----------------|------------------|------------|-----------|------------|
| | | S 1 3/8" Z6 | S 1 3/8" Z21 | S 1 3/4" Z6 | S 1 3/4" Z20 | 1 3/8" Z6 | 1 3/8" Z21 | 1 3/4" Z6 | 1 3/4" Z20 |
| G4 | *900 | 113 | 113 | --- | --- | 661E41203R | 661E41237R | --- | --- |
| | 1000 | | | | | 661E44203R | 661E44237R | --- | --- |
| G5 | 900 | 117 | 117 | --- | --- | 661G41203R | 661G41237R | --- | --- |
| | 1000 | | | | | 661G44203R | 661G44237R | --- | --- |
| | *1100 | | | | | 661G46203R | 661G46237R | --- | --- |
| G7 | 900 | 124 | 124 | --- | --- | 661H41203R | 661H41237R | --- | --- |
| | 1000 | | | | | 661H44203R | 661H44237R | --- | --- |
| | *1100 | | | | | 661H46203R | 661H46237R | --- | --- |

* Maximum recommended settings for 1000 min⁻¹ velocity.

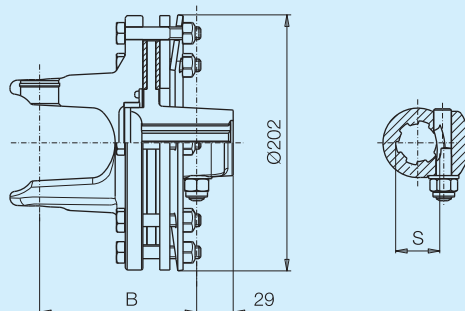


| Ref. | Size | Spare parts code | Description | Technical data |
|------|------|------------------|-------------------|---------------------|
| 1 | | 432000054R08 | Bolt | M10 x 55 mm |
| 2 | G4 | 253048602R | Flange yoke | |
| | G5 | 253058901R | | |
| | G6 | 253068903R | | |
| 3 | | 258005320R02 | Bushing | |
| 4 | | 247006251R08 | Friction lining | D = 141 ; d = 77 mm |
| 5 | | 515860305R | Hub with push pin | 1 3/8" Z6 |
| | | 515863705R | | 1 3/8" Z21 |
| 6 | | 408000047R02 | Taper pin | 1 3/8" Z6 - Z21 |
| 7 | | 248860007R02 | Pressure plate | Thickness = 8 mm |
| 8 | | 367008860R | Belleville spring | t = 3.75 mm |

For primary drivelines, always install any torque limiter or overrunning clutch on the implement side. All rotating parts must be guarded.

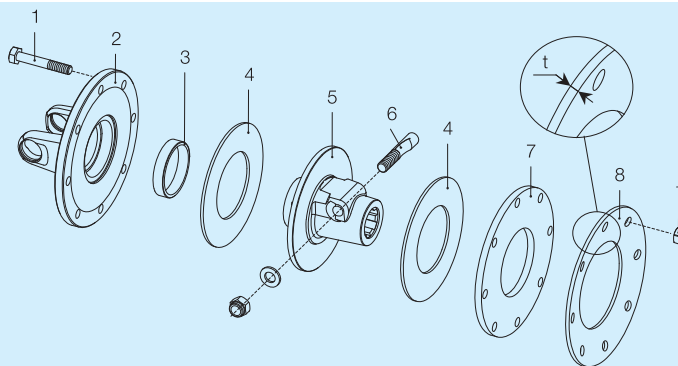
FV42

Adjustable setting



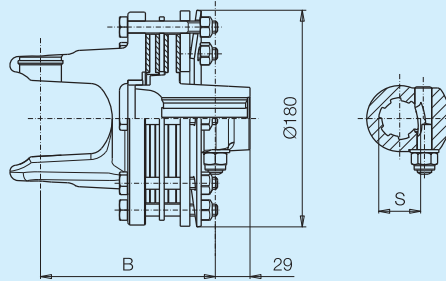
| Size | Torque Nm | B (mm) | | | | Spare parts code | | | |
|------|--------------|----------------|-----------------|----------------|-----------------|------------------|------------|------------|------------|
| | | S 1 3/8" Z6 | S 1 3/8" Z21 | S 1 3/4" Z6 | S 1 3/4" Z20 | 1 3/8" Z6 | 1 3/8" Z21 | 1 3/4" Z6 | 1 3/4" Z20 |
| G5 | 1200 | 117 | 117 | 122 | 122 | 661G48403R | 661G48437R | 661G48404R | 661G48438R |
| G7 | *1200 | 125 | 125 | 130 | 130 | 661H48403R | 661H48437R | 661H48404R | 661H48438R |
| | 1350 | | | | | 661H51403R | 661H51437R | 661H51404R | 661H51438R |
| | 1450 | | | | | 661H53403R | 661H53437R | 661H53404R | 661H53438R |
| G8 | 1350 | 131 | 131 | 136 | 136 | 661L51403R | 661L51437R | 661L51404R | 661L51438R |
| | *1450 | | | | | 661L53403R | 661L53437R | 661L53404R | 661L53438R |
| | 1600 | | | | | 661L56403R | 661L56437R | 661L56404R | 661L56438R |
| | 1800 | | | | | 661L58403R | 661L58437R | 661L58404R | 661L58438R |
| | | | | | | | | | |

* Maximum recommended settings for 1000 min⁻¹ velocity.



| Ref. | Size | Spare parts code | Description | Technical data |
|------|------|------------------|-------------------|---------------------|
| 1 | | 432000008R08 | Bolt | M10 x 60 mm |
| 2 | G5 | 253058701R | Flange yoke | |
| | G7 | 253069001R | | |
| | G8 | 253078702R | | |
| 3 | | 258005320R02 | Bushing | |
| 4 | | 247006351R08 | Friction lining | D = 162 ; d = 85 mm |
| 5 | | 515870305R | Hub with push pin | 1 3/8" Z6 |
| | | 515873705R | | 1 3/8" Z21 |
| | | 515870405R | | 1 3/4" Z6 |
| | | 515873805R | | 1 3/4" Z20 |
| 6 | | 408000047R02 | Taper pin | 1 3/8" Z6 - Z21 |
| | | 408000046R02 | | 1 3/4" Z6 - Z20 |
| 7 | | 248870007R | Pressure plate | Thickness = 8 mm |
| 8 | | 367009870R | Belleville spring | t = 4.25 mm |

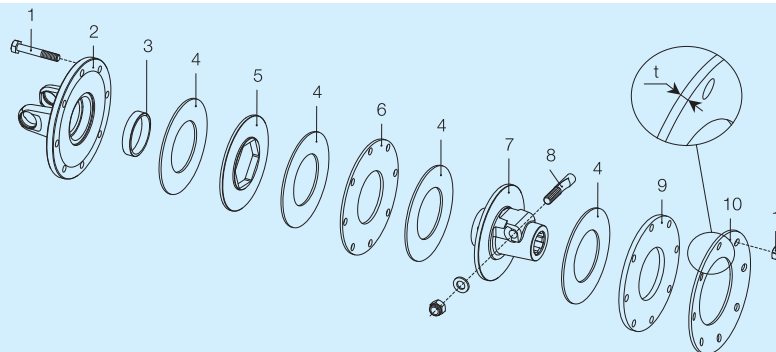
For primary drivelines, always install any torque limiter or overrunning clutch on the implement side.
All rotating parts must be guarded.



FV34
Adjustable setting

| Size | Torque Nm | B (mm) | | | | Spare parts code | | | |
|------|--------------|----------------|-----------------|----------------|-----------------|------------------|------------|------------|------------|
| | | S 1 3/8" Z6 | S 1 3/8" Z21 | S 1 3/4" Z6 | S 1 3/4" Z20 | 1 3/8" Z6 | 1 3/8" Z21 | 1 3/4" Z6 | 1 3/4" Z20 |
| G5 | 1200 | 133 | 133 | 138 | 138 | 661G48303R | 661G48337R | 661G48304R | 661G48338R |
| G7 | *1200 | 140 | 140 | 145 | 145 | 661H48303R | 661H48337R | 661H48304R | 661H48338R |
| | 1350 | | | | | 661H51303R | 661H51337R | 661H51304R | 661H51338R |
| | 1450 | | | | | 661H53303R | 661H53337R | 661H53304R | 661H53338R |
| G8 | 1350 | 146 | 146 | 151 | 151 | 661L51303R | 661L51337R | 661L51304R | 661L51338R |
| | *1450 | | | | | 661L53303R | 661L53337R | 661L53304R | 661L53338R |
| | 1600 | | | | | 661L56303R | 661L56337R | 661L56304R | 661L56338R |
| | 1800 | | | | | 661L58303R | 661L58337R | 661L58304R | 661L58338R |

* Maximum recommended settings for 1000 min⁻¹ velocity.

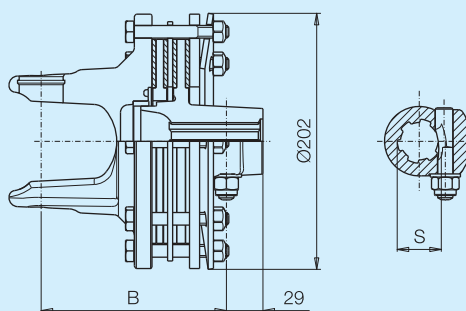


| Ref. | Size | Spare parts code | Description | Technical data |
|------|------|------------------|-------------------|---------------------|
| 1 | | 432000114R08 | Bolt | M10 x 75 mm |
| 2 | G5 | 253058901R | Flange yoke | |
| | G7 | 253068903R | | |
| | G8 | 253078601R | | |
| 3 | | 258005320R02 | Bushing | |
| 4 | | 247006251R08 | Friction lining | D = 141 ; d = 77 mm |
| 5 | | 248727702R02 | Driving plate | |
| 6 | | 248860001R02 | Inner plate | Thickness = 4 mm |
| 7 | | 515890305R | Hub with push pin | 1 3/8" Z6 |
| | | 515893705R | | 1 3/8" Z21 |
| | | 515890405R | | 1 3/4" Z6 |
| | | 515893805R | | 1 3/4" Z20 |
| 8 | | 408000047R02 | Taper pin | 1 3/8" Z6 - Z21 |
| | | 408000049R02 | | 1 3/4" Z6 - Z20 |
| 9 | | 248860007R02 | Pressure plate | Thickness = 8 mm |
| 10 | | 367008860R | Belleville spring | t = 3.75 mm |

For primary drivelines, always install any torque limiter or overrunning clutch on the implement side. All rotating parts must be guarded.

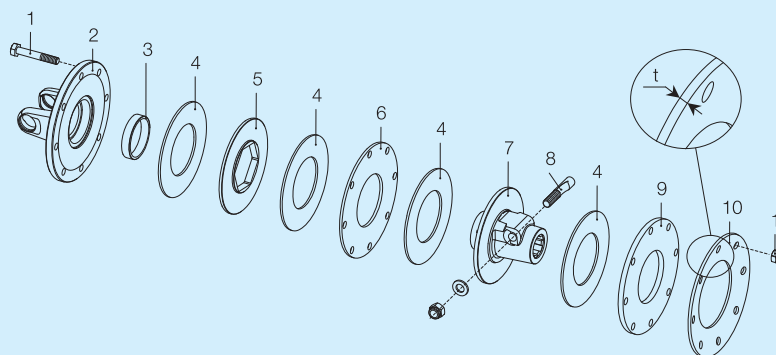
FV44

Adjustable setting



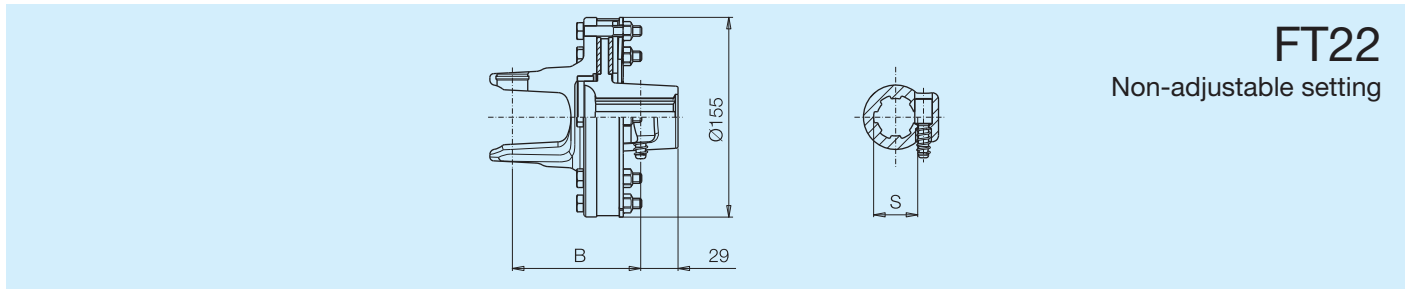
| Size | Torque Nm | B (mm) | | | | Spare parts code | | | |
|------|--------------|----------------|-----------------|----------------|-----------------|------------------|------------|------------|------------|
| | | S 1 3/8" Z6 | S 1 3/8" Z21 | S 1 3/4" Z6 | S 1 3/4" Z20 | 1 3/8" Z6 | 1 3/8" Z21 | 1 3/4" Z6 | 1 3/4" Z20 |
| G8 | 1800 | 147 | 147 | 152 | 152 | 661L58503R | 661L58537R | 661L58504R | 661L58538R |

* Maximum recommended settings for 1000 min⁻¹ velocity.



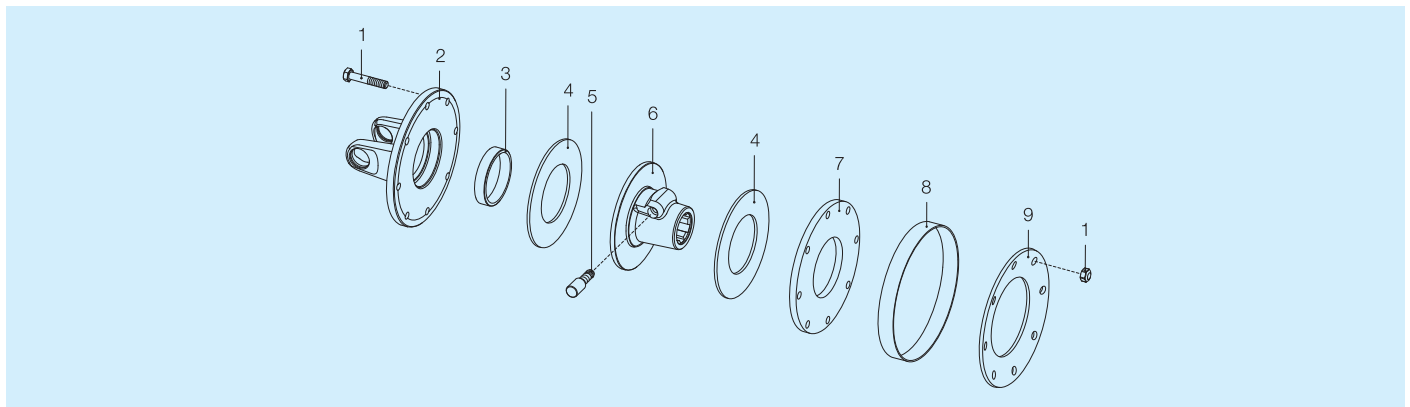
| Ref. | Size | Spare parts code | Description | Technical data |
|------|------|------------------|-------------------|---------------------|
| 1 | | 432000114R08 | Bolt | M10 x 75 mm |
| 2 | G8 | 253078702R | Flange yoke | |
| 3 | | 258005320R02 | Bushing | |
| 4 | | 247006351R08 | Friction lining | D = 162 ; d = 85 mm |
| 5 | | 248737702R02 | Driving plate | |
| 6 | | 248870011R02 | Inner plate | Thickness = 4 mm |
| 7 | | 515900305R | Hub with push pin | 1 3/8" Z6 |
| | | 515903705R | | 1 3/8" Z21 |
| | | 515900405R | | 1 3/4" Z6 |
| | | 515903805R | | 1 3/4" Z20 |
| 8 | | 408000047R02 | Taper pin | 1 3/8" Z6 - Z21 |
| | | 408000046R02 | | 1 3/4" Z6 - Z20 |
| 9 | | 248870007R | Pressure plate | Thickness = 8 mm |
| 10 | | 367009870R | Belleville spring | t = 4.25 mm |

For primary drivelines, always install any torque limiter or overrunning clutch on the implement side. All rotating parts must be guarded.



| Size | Torque Nm | B (mm) | | | | Spare parts code | | | |
|------|--------------|----------------|-----------------|----------------|-----------------|------------------|------------|-----------|------------|
| | | S 1 3/8" Z6 | S 1 3/8" Z21 | S 1 3/4" Z6 | S 1 3/4" Z20 | 1 3/8" Z6 | 1 3/8" Z21 | 1 3/4" Z6 | 1 3/4" Z20 |
| G1 | *400 | 92 | 92 | --- | --- | 663B24103R | 663B24137R | --- | --- |
| | 500 | | | | | 663B28103R | 663B28137R | --- | --- |
| G2 | *500 | 100 | 100 | --- | --- | 663C28103R | 663C28137R | --- | --- |
| | 600 | | | | | 663C32103R | 663C32137R | --- | --- |
| G3 | *600 | 101 | 101 | --- | --- | 663E32103R | 663E32137R | --- | --- |
| | 800 | | | | | 663E39103R | 663E39137R | --- | --- |
| G4 | 800 | 101 | 101 | --- | --- | 663E39103R | 663E39137R | --- | --- |

* Maximum recommended settings for 1000 min⁻¹ velocity.

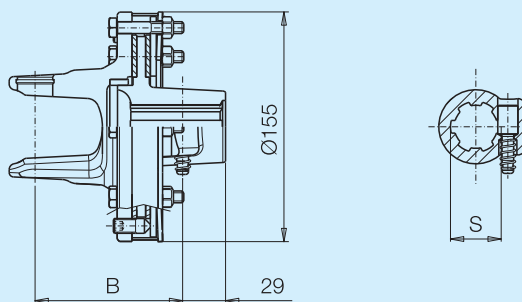


| Ref. | Size | Spare parts code | Description | Technical data |
|------|-------|------------------|-------------------|---------------------|
| 1 | | 432000047R08 | Bolt | M8 x 75 mm |
| 2 | G1 | 2530B8503R | Flange yoke | |
| | G2 | 2530C8503R | | |
| | G3-G4 | 2530E8503R | | |
| 3 | | 258005320R02 | Bushing | |
| 4 | | 247006151R08 | Friction lining | D = 124 ; d = 67 mm |
| 5 | | 403000001R10 | Push-pin kit | 1 3/8" Z6 - Z21 |
| 6 | | 513850307R | Hub with push-pin | 1 3/8" Z6 |
| | | 513853707R | | 1 3/8" Z21 |
| 7 | | 2481A0002R02 | Pressure plate | Thickness = 4 mm |
| 8 | | 240001059R02 | Adjustment band | |
| 9 | | 367FT220A | Belleville spring | 400 Nm |
| | | 367FT220C | | 500 Nm |
| | | 367FT220D | | 600 Nm |
| | | 367FT220E | | 800 Nm |

For primary drivelines, always install any torque limiter or overrunning clutch on the implement side.
All rotating parts must be guarded.

FT22R

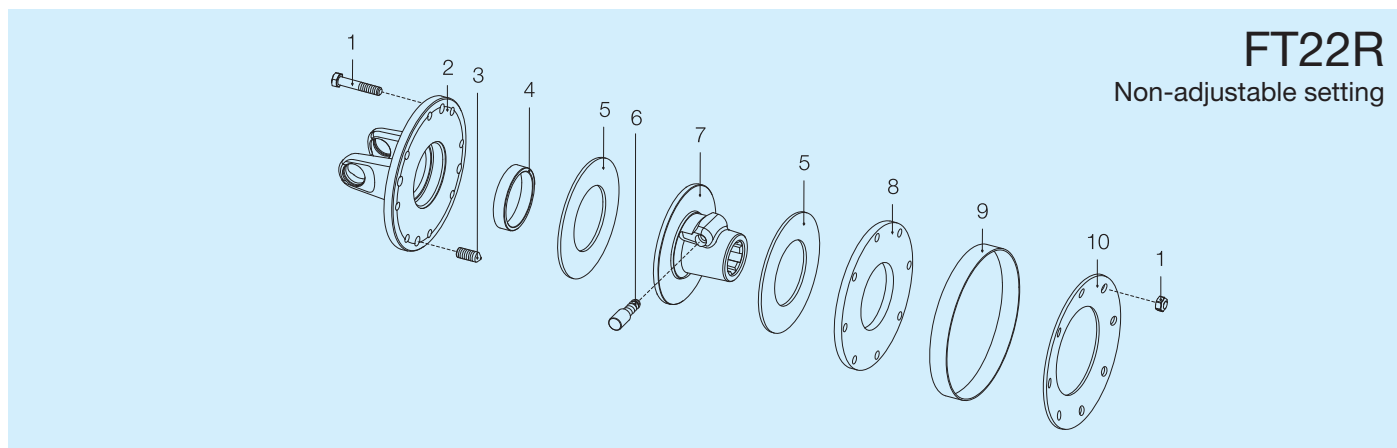
Non-adjustable setting



| Size | Torque Nm | B (mm) | | | | Spare parts code | | | |
|------|--------------|----------------|-----------------|----------------|-----------------|------------------|------------|-----------|------------|
| | | S 1 3/8" Z6 | S 1 3/8" Z21 | S 1 3/4" Z6 | S 1 3/4" Z20 | 1 3/8" Z6 | 1 3/8" Z21 | 1 3/4" Z6 | 1 3/4" Z20 |
| G1 | *400 | 92 | 92 | --- | --- | 663B24A03R | 663B24A37R | --- | --- |
| | 500 | | | | | 663B28A03R | 663B28A37R | --- | --- |
| G2 | *500 | 100 | 100 | --- | --- | 663C28A03R | 663C28A37R | --- | --- |
| | 600 | | | | | 663C32A03R | 663C32A37R | --- | --- |
| G3 | *600 | 101 | 101 | --- | --- | 663E32A03R | 663E32A37R | --- | --- |
| | 800 | | | | | 663E39A03R | 663E39A37R | --- | --- |
| G4 | 800 | 101 | 101 | --- | --- | 663E39A03R | 663E39A37R | --- | --- |

* Maximum recommended settings for 1000 min⁻¹ velocity.

For primary drivelines, always install any torque limiter or overrunning clutch on the implement side.
All rotating parts must be guarded.



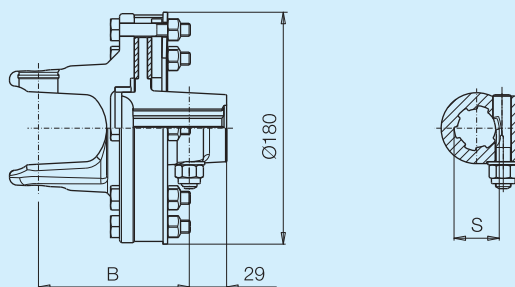
FT22R

Non-adjustable setting

| Ref. | Size | Spare parts code | Description | Technical data |
|------|-------|------------------|-------------------------------|---------------------|
| 1 | | 432000047R08 | Bolt | M8 x 45 mm |
| 2 | G1 | 2530B8504R | Flange yoke | |
| | G2 | 2530C8504R | | |
| | G3-G4 | 2530E8504R | | |
| 3 | | 310001300R04 | Special socket head set screw | M10 x 25 mm |
| 4 | | 258005320R02 | Bushing | |
| 5 | | 247006151R08 | Friction lining | D = 124 ; d = 67 mm |
| 6 | | 403000001R10 | Push-pin kit | 1 3/8" Z6 - Z21 |
| 7 | | 513850307R | Hub with push-pin | 1 3/8" Z6 |
| | | 513853707R | | 1 3/8" Z21 |
| 8 | | 2481A0002R02 | Pressure plate | Thickness = 4 mm |
| 9 | | 240001059R02 | Adjustment band | |
| 10 | | 367FT220A | Belleville spring | 400 Nm |
| | | 367FT220C | | 500 Nm |
| | | 367FT220D | | 600 Nm |
| | | 367FT220E | | 800 Nm |

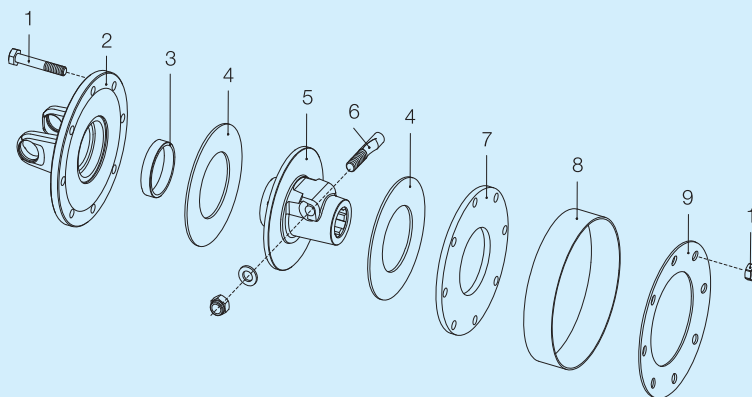
FT32

Non-adjustable setting



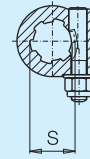
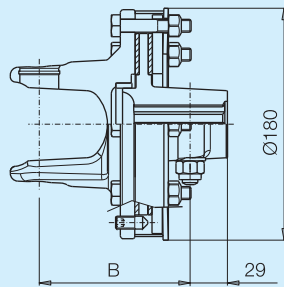
| Size | Torque Nm | B (mm) | | | | Spare parts code | | | |
|------|--------------|----------------|-----------------|----------------|-----------------|------------------|------------|-----------|------------|
| | | S 1 3/8" Z6 | S 1 3/8" Z21 | S 1 3/4" Z6 | S 1 3/4" Z20 | 1 3/8" Z6 | 1 3/8" Z21 | 1 3/4" Z6 | 1 3/4" Z20 |
| G4 | *900 | 113 | 113 | --- | --- | 663E41203R | 663E41237R | --- | --- |
| | 1000 | | | | | 663E44203R | 663E44237R | --- | --- |
| G5 | 900 | 117 | 117 | --- | --- | 663G41203R | 663G41237R | --- | --- |
| | 1000 | | | | | 663G44203R | 663G44237R | --- | --- |
| | *1100 | | | | | 663G46203R | 663G46237R | --- | --- |

* Maximum recommended settings for 1000 min⁻¹ velocity.



| Ref. | Size | Spare parts code | Description | Technical data |
|------|------|------------------|--------------------|---------------------|
| 1 | | 432000054R08 | Bolt | M10 x 85 mm |
| 2 | G4 | 253048602R | Flange yoke | |
| | G5 | 253058901R | | |
| 3 | | 258005320R02 | Bushing | |
| 4 | | 247006251R08 | Friction lining | D = 141 ; d = 77 mm |
| 5 | | 515860305R | Hub with taper pin | 1 3/8" Z6 |
| | | 515863705R | | 1 3/8" Z21 |
| 6 | | 408000047R02 | Taper pin | 1 3/8" Z6 - Z21 |
| 7 | | 248860005R02 | Pressure plate | Thickness = 8 mm |
| 8 | | 240000213R02 | Adjustment band | |
| 9 | | 367FT320A | Belleville spring | 900 Nm |
| | | 367FT320C | | 1000 Nm |
| | | 367FT320D | | 1100 Nm |

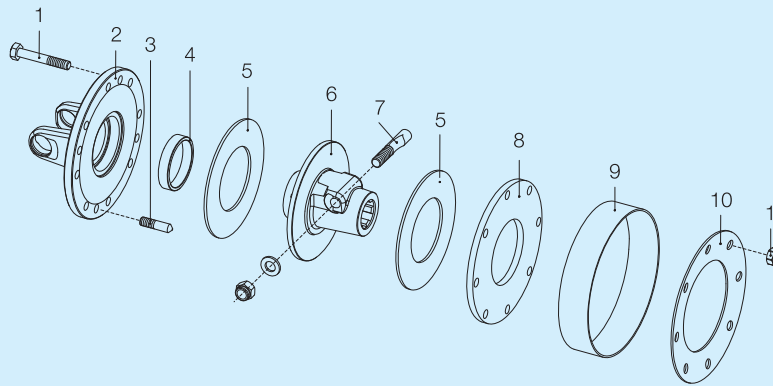
For primary drivelines, always install any torque limiter or overrunning clutch on the implement side.
All rotating parts must be guarded.



FT32R
Non-adjustable setting

| Size | Torque Nm | B (mm) | | | | Spare parts code | | | |
|------|--------------|----------------|-----------------|----------------|-----------------|------------------|------------|-----------|------------|
| | | S 1 3/8" Z6 | S 1 3/8" Z21 | S 1 3/4" Z6 | S 1 3/4" Z20 | 1 3/8" Z6 | 1 3/8" Z21 | 1 3/4" Z6 | 1 3/4" Z20 |
| G4 | *900 | 113 | 113 | --- | --- | 663E41C03R | 663E41C37R | --- | --- |
| | 1000 | | | | | 663E44C03R | 663E44C37R | --- | --- |
| G5 | 900 | 117 | 117 | --- | --- | 663G41C03R | 663G41C37R | --- | --- |
| | 1000 | | | | | 663G44C03R | 663G44C37R | --- | --- |
| | *1100 | | | | | 663G46C03R | 663G46C37R | --- | --- |

* Maximum recommended settings for 1000 min⁻¹ velocity.

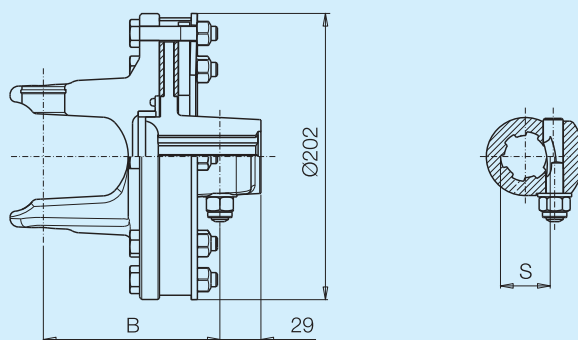


| Ref. | Size | Spare parts code | Description | Technical data |
|------|------|------------------|-------------------------------|---------------------|
| 1 | | 432000054R08 | Bolt | M10 x 55 mm |
| 2 | G4 | 2530E8605R | Flange yoke | |
| | G5 | 2530G8605R | | |
| 3 | | 310001300R04 | Special socket head set screw | M10 x 25 mm |
| 4 | | 258005320R02 | Bushing | |
| 5 | | 247006251R08 | Friction lining | D = 141 ; d = 77 mm |
| 6 | | 515860305R | Hub with taper pin | 1 3/8" Z6 |
| | | 515863705R | | 1 3/8" Z21 |
| 7 | | 408000047R02 | Taper pin | 1 3/8" Z6 - Z21 |
| 8 | | 248860005R02 | Pressure plate | Thickness = 8 mm |
| 9 | | 240000213R02 | Adjustment band | |
| 10 | | 367FT320A | Belleville spring | 900 Nm |
| | | 367FT320C | | 1000 Nm |
| | | 367FT320D | | 1100 Nm |

For primary drivelines, always install any torque limiter or overrunning clutch on the implement side.
All rotating parts must be guarded.

FT42

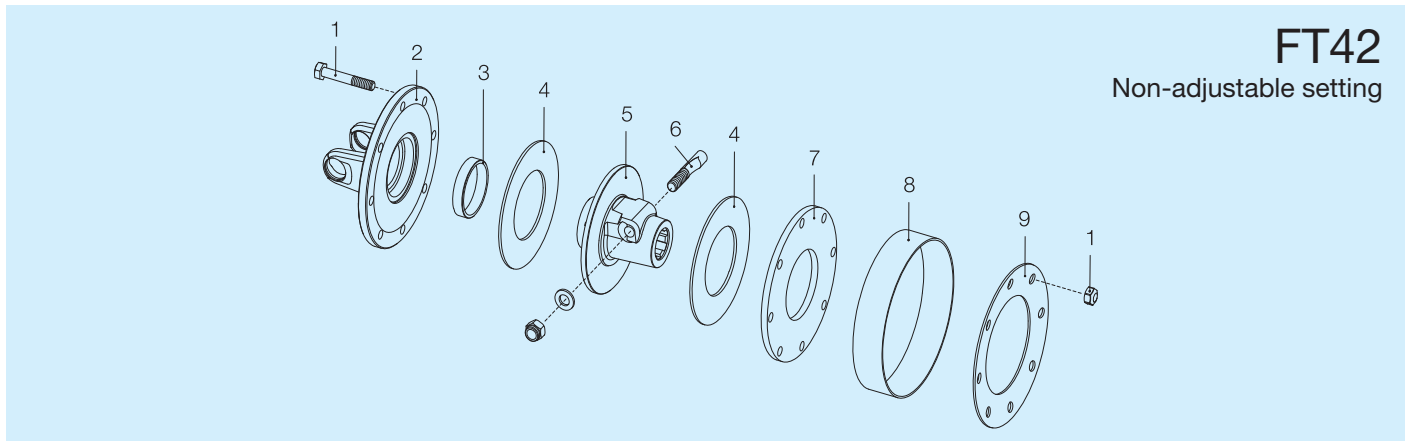
Non-adjustable setting



| Size | Torque Nm | B (mm) | | | | Spare parts code | | | |
|------|--------------|----------------|-----------------|----------------|-----------------|------------------|------------|------------|------------|
| | | S 1 3/8" Z6 | S 1 3/8" Z21 | S 1 3/4" Z6 | S 1 3/4" Z20 | 1 3/8" Z6 | 1 3/8" Z21 | 1 3/4" Z6 | 1 3/4" Z20 |
| G5 | 1200 | 117 | 117 | 122 | 122 | 663G48403R | 663G48437R | 663G48404R | 663G48438R |
| | 1450 | 125 | 125 | 130 | 130 | 663H48403R | 663H48437R | 663H48404R | 663H48438R |
| G8 | *1200 | 131 | 131 | 136 | 136 | 663L53403R | 663L53437R | 663L53404R | 663L53438R |
| | 1450 | | | | | 663L58403R | 663L58437R | 663L58404R | 663L58438R |

* Maximum recommended settings for 1000 min⁻¹ velocity.


For primary drivelines, always install any torque limiter or overrunning clutch on the implement side.
All rotating parts must be guarded.



FT42

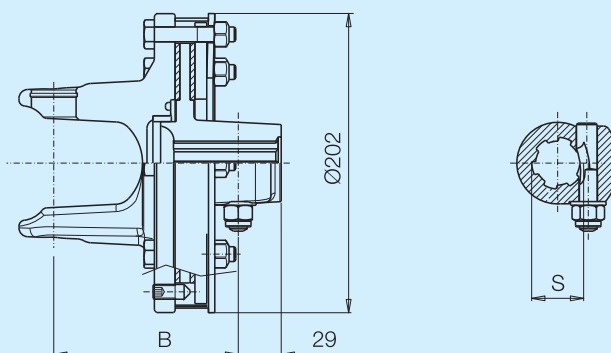
Non-adjustable setting

| Ref. | Size | Spare parts code | Description | Technical data |
|------|------|------------------|--------------------|---------------------|
| 1 | | 432000054R08 | Bolt | M10 x 55 mm |
| 2 | G5 | 253058701R | Flange yoke | |
| | G7 | 253069001R | | |
| | G8 | 253078702R | | |
| 3 | | 258005320R02 | Bushing | |
| 4 | | 247006351R08 | Friction lining | D = 162 ; d = 85 mm |
| 5 | | 515870305R | Hub with taper pin | 1 3/8" Z6 |
| | | 515873705R | | 1 3/8" Z21 |
| | | 515870405R | | 1 3/4" Z6 |
| | | 515873805R | | 1 3/4" Z20 |
| 6 | | 408000047R02 | Taper pin | 1 3/8" Z6 - Z21 |
| | | 408000046R02 | | 1 3/4" Z6 - Z20 |
| 7 | | 248870005R | Pressure plate | Thickness = 8 mm |
| 8 | | 240000214R02 | Adjustment band | |
| 9 | | 367FT420A | Belleville spring | 1200 Nm |
| | | 367FT420C | | 1450 Nm |
| | | 367FT420D | | 1800 Nm |

 For primary drivelines, always install any torque limiter or overrunning clutch on the implement side. All rotating parts must be guarded.

FT42R

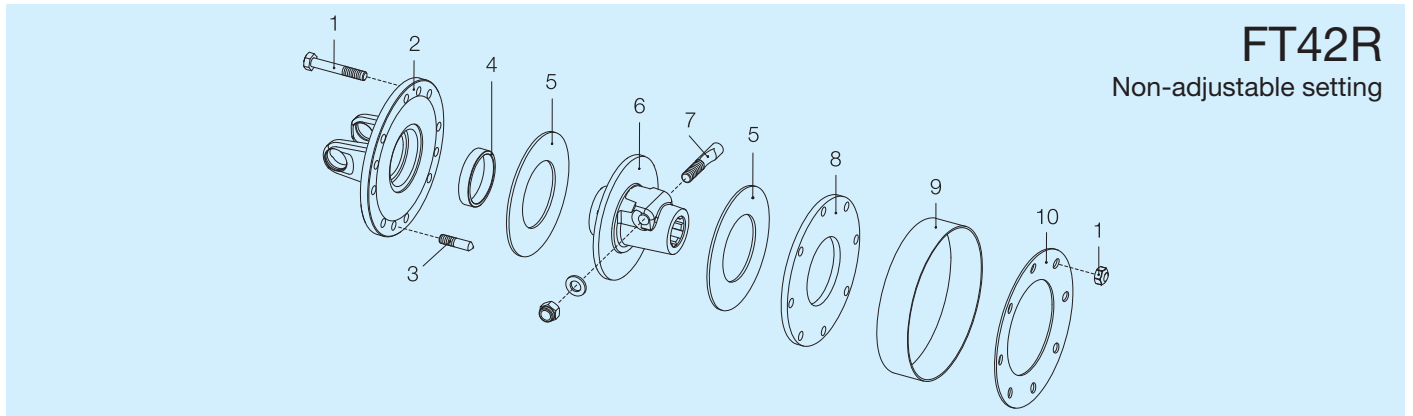
Non-adjustable setting



| Size | Torque Nm | B (mm) | | | | Spare parts code | | | |
|------|--------------|----------------|-----------------|----------------|-----------------|------------------|------------|------------|------------|
| | | S 1 3/8" Z6 | S 1 3/8" Z21 | S 1 3/4" Z6 | S 1 3/4" Z20 | 1 3/8" Z6 | 1 3/8" Z21 | 1 3/4" Z6 | 1 3/4" Z20 |
| G5 | 1200 | 117 | 117 | 122 | 122 | 663G48F03R | 663G48F37R | 663G48F04R | 663G48F38R |
| | 1450 | 125 | 125 | 130 | 130 | 663H48F03R | 663H48F37R | 663H48F04R | 663H48F38R |
| G8 | *1450 | 131 | 131 | 136 | 136 | 663L53F03R | 663L53F37R | 663L53F04R | 663L53F38R |
| | 1800 | | | | | 663L58F03R | 663L58F37R | 663L58F04R | 663L58F38R |

* Maximum recommended settings for 1000 min⁻¹ velocity.


For primary drivelines, always install any torque limiter or overrunning clutch on the implement side.
All rotating parts must be guarded.



FT42R

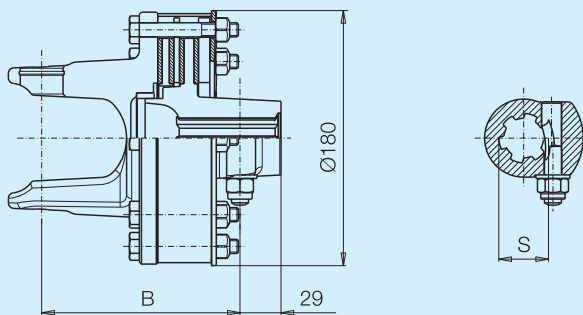
Non-adjustable setting

| Ref. | Size | Spare parts code | Description | Technical data |
|------|------|------------------|-------------------------------|---------------------|
| 1 | | 432000054R08 | Bolt | M10 x 55 mm |
| 2 | G5 | 2530G8705R | Flange yoke | |
| | G7 | 2530H8705R | | |
| | G8 | 2530L8705R | | |
| 3 | | 310001300R04 | Special socket head set screw | M10 x 25 mm |
| 4 | | 258005320R02 | Bushing | |
| 5 | | 247006351R08 | Friction lining | D = 162 ; d = 85 mm |
| 6 | | 515870305R | Hub with taper pin | 1 3/8" Z6 |
| | | 515873705R | | 1 3/8" Z21 |
| | | 515870405R | | 1 3/4" Z6 |
| | | 515873805R | | 1 3/4" Z20 |
| 7 | | 408000047R02 | Taper pin | 1 3/8" Z6 - Z21 |
| | | 408000046R02 | | 1 3/4" Z6 - Z20 |
| 8 | | 248870005R | Pressure plate | Thickness = 8 mm |
| 9 | | 240000214R02 | Adjustment band | |
| 10 | | 367FT420A | Belleville spring | 1200 Nm |
| | | 367FT420C | | 1450 Nm |
| | | 367FT420D | | 1800 Nm |

 For primary drivelines, always install any torque limiter or overrunning clutch on the implement side. All rotating parts must be guarded.

FT34

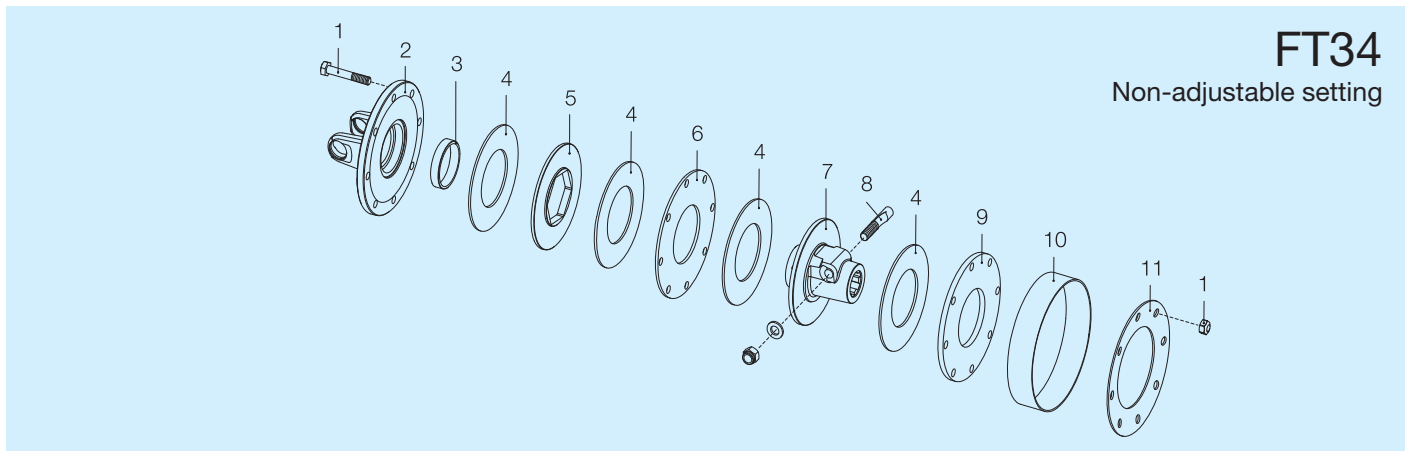
Non-adjustable setting



| Size | Torque Nm | B (mm) | | | | Spare parts code | | | |
|-----------|--------------|----------------|-----------------|----------------|-----------------|------------------|------------|------------|------------|
| | | S 1 3/8" Z6 | S 1 3/8" Z21 | S 1 3/4" Z6 | S 1 3/4" Z20 | 1 3/8" Z6 | 1 3/8" Z21 | 1 3/4" Z6 | 1 3/4" Z20 |
| G5 | 1200 | 133 | 133 | 138 | 138 | 663G48303R | 663G48337R | 663G48304R | 663G48338R |
| G7 | *1200 | 140 | 140 | 145 | 145 | 663H48303R | 663H48337R | 663H48304R | 663H48338R |
| | 1450 | | | | | 663H53303R | 663H53337R | 663H53304R | 663H53338R |
| G8 | *1450 | 146 | 146 | 151 | 151 | 663L53303R | 663L53337R | 663L53304R | 663L53338R |
| | 1800 | | | | | 663L58303R | 663L58337R | 663L58304R | 663L58338R |

* Maximum recommended settings for 1000 min⁻¹ velocity.


For primary drivelines, always install any torque limiter or overrunning clutch on the implement side. All rotating parts must be guarded.



FT34

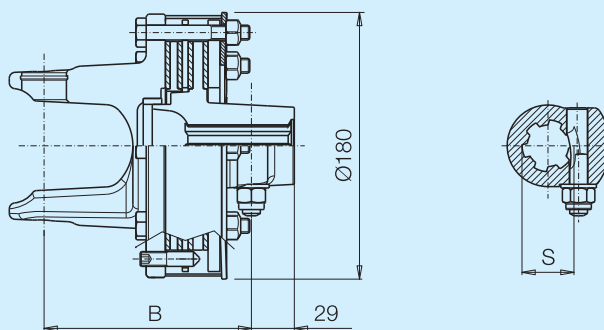
Non-adjustable setting

| Ref. | Size | Spare parts code | Description | Technical data |
|------|------|------------------|--------------------|---------------------|
| 1 | | 432000045R08 | Bolt | M10 x 65 mm |
| 2 | G5 | 253058901R | Flange yoke | |
| | G7 | 253068903R | | |
| | G8 | 253078601R | | |
| 3 | | 258005320R02 | Bushing | |
| 4 | | 247006251R08 | Friction lining | D = 141 ; d = 77 mm |
| 5 | | 248727702R02 | Driving disc | |
| 6 | | 248860001R02 | Inner disc | Thickness = 4 mm |
| 7 | | 515890305R | Hub with taper pin | 1 3/8" Z6 |
| | | 515893705R | | 1 3/8" Z21 |
| | | 515890405R | | 1 3/4" Z6 |
| | | 515893805R | | 1 3/4" Z20 |
| 8 | | 408000047R02 | Taper pin | 1 3/8" Z6 - Z21 |
| | | 408000049R02 | | 1 3/4" Z6 - Z20 |
| 9 | | 248860005R02 | Pressure plate | Thickness = 8 mm |
| 10 | | 240000218R02 | Adjustment band | |
| 11 | | 367FT340A | Belleville spring | 1200 Nm |
| | | 367FT340C | | 1450 Nm |
| | | 367FT340D | | 1800 Nm |

 For primary drivelines, always install any torque limiter or overrunning clutch on the implement side. All rotating parts must be guarded.

FT34R

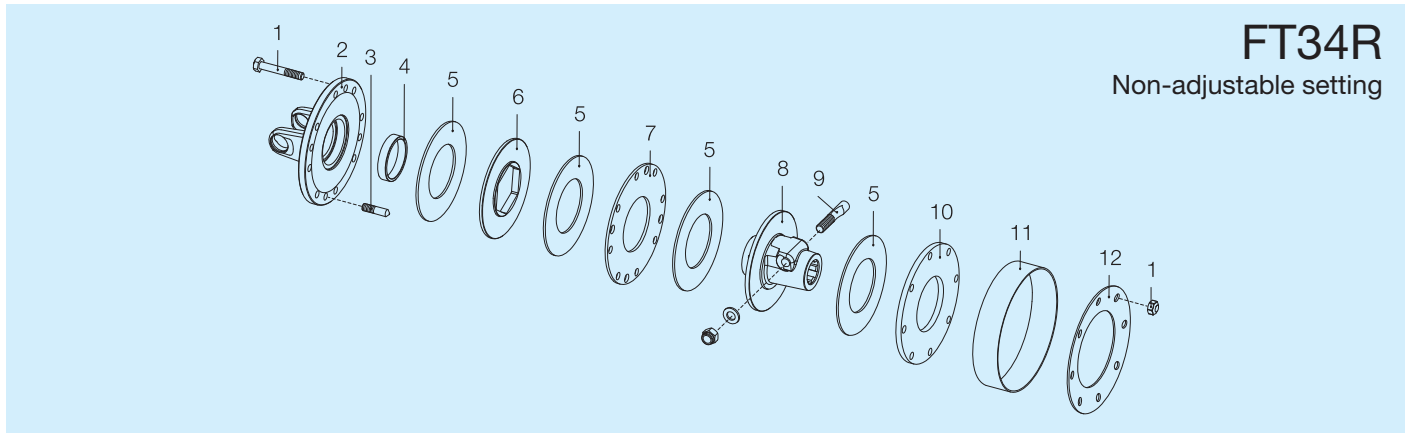
Non-adjustable setting



| Size | Torque Nm | B (mm) | | | | Spare parts code | | | |
|------|--------------|----------------|-----------------|----------------|-----------------|------------------|------------|------------|------------|
| | | S 1 3/8" Z6 | S 1 3/8" Z21 | S 1 3/4" Z6 | S 1 3/4" Z20 | 1 3/8" Z6 | 1 3/8" Z21 | 1 3/4" Z6 | 1 3/4" Z20 |
| G5 | 1200 | 133 | 133 | 138 | 138 | 663G48E03R | 663G48E37R | 663G48E04R | 663G48E38R |
| | 1450 | 140 | 140 | 145 | 145 | 663H48E03R | 663H48E37R | 663H48E04R | 663H48E38R |
| G8 | *1450 | 146 | 146 | 151 | 151 | 663L53E03R | 663L53E37R | 663L53E04R | 663L53E38R |
| | 1800 | | | | | 663L58E03R | 663L58E37R | 663L58E04R | 663L58E38R |

* Maximum recommended settings for 1000 min⁻¹ velocity.


For primary drivelines, always install any torque limiter or overrunning clutch on the implement side. All rotating parts must be guarded.



FT34R

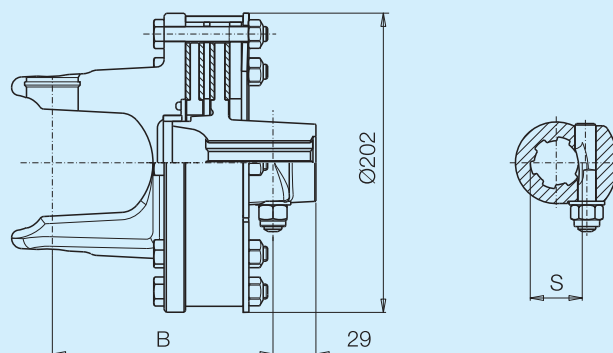
Non-adjustable setting

| Ref. | Size | Spare parts code | Description | Technical data |
|------|------|------------------|-------------------------------|---------------------|
| 1 | | 432000045R08 | Bolt | M10 x 65 mm |
| 2 | G5 | 2530G8605R | Flange yoke | |
| | G7 | 2530H8605R | | |
| | G8 | 2530L8605R | | |
| 3 | | 310001301R04 | Special socket head set screw | M10 x 40 mm |
| 4 | | 258005320R02 | Bushing | |
| 5 | | 247006251R08 | Friction lining | D = 141 ; d = 77 mm |
| 6 | | 248727702R02 | Driving disc | |
| 7 | | 248860006R02 | Inner disc | Thickness = 4 mm |
| 8 | | 515890305R | Hub with taper pin | 1 3/8" Z6 |
| | | 515893705R | | 1 3/8" Z21 |
| | | 515890405R | | 1 3/4" Z6 |
| | | 515893805R | | 1 3/4" Z20 |
| 9 | | 408000047R02 | Taper pin | 1 3/8" Z6 - Z21 |
| | | 408000049R02 | | 1 3/4" Z6 - Z20 |
| 10 | | 248860005R02 | Pressure plate | Thickness = 8 mm |
| 11 | | 240000218R02 | Adjustment band | |
| 12 | | 367FT340A | Belleville spring | 1200 Nm |
| | | 367FT340C | | 1450 Nm |
| | | 367FT340D | | 1800 Nm |

 For primary drivelines, always install any torque limiter or overrunning clutch on the implement side. All rotating parts must be guarded.

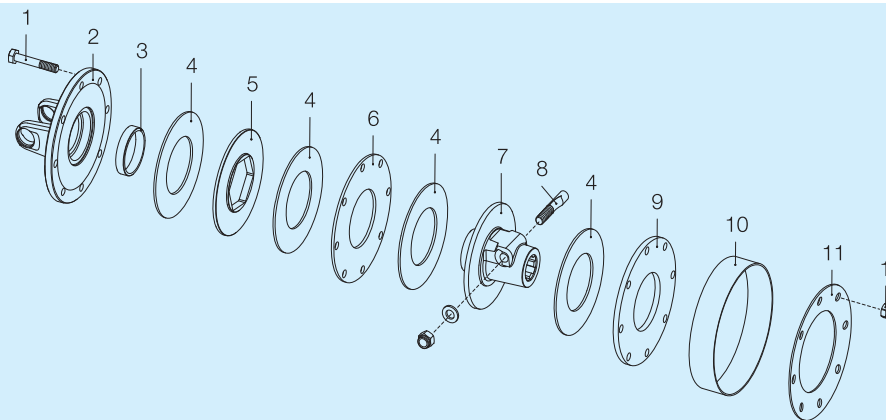
FT44

Non-adjustable setting



| Size | Torque Nm | B (mm) | | | | Spare parts code | | | |
|------|--------------|----------------|-----------------|----------------|-----------------|------------------|------------|------------|------------|
| | | S 1 3/8" Z6 | S 1 3/8" Z21 | S 1 3/4" Z6 | S 1 3/4" Z20 | 1 3/8" Z6 | 1 3/8" Z21 | 1 3/4" Z6 | 1 3/4" Z20 |
| G8 | 1800 | 147 | 147 | 152 | 152 | 663L58503R | 663L58537R | 663L58504R | 663L58538R |

* Maximum recommended settings for 1000 min⁻¹ velocity.

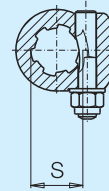
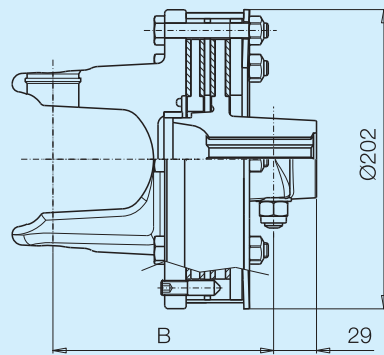


| Ref. | Size | Spare parts code | Description | Technical data |
|------|------|------------------|--------------------|---------------------|
| 1 | | 432000100R08 | Bolt | M10 x 55 mm |
| 2 | G8 | 253078702R | Flange yoke | |
| 3 | | 258005320R02 | Bushing | |
| 4 | | 247006351R08 | Friction lining | D = 162 ; d = 85 mm |
| 5 | | 248737702R02 | Driving disc | |
| 6 | | 248870011R02 | Inner disc | Thickness = 4 mm |
| 7 | | 515900305R | Hub with taper pin | 1 3/8" Z6 |
| | | 515903705R | | 1 3/8" Z21 |
| | | 515900405R | | 1 3/4" Z6 |
| | | 515903805R | | 1 3/4" Z20 |
| 8 | | 408000047R02 | Taper pin | 1 3/8" Z6 - Z21 |
| | | 408000046R02 | | 1 3/4" Z6 - Z20 |
| 9 | | 248870005R | Pressure plate | Thickness = 8 mm |
| 10 | | 240000219R02 | Adjustment band | |
| 11 | | 367FT440A | Belleville spring | 1800 Nm |

For primary drivelines, always install any torque limiter or overrunning clutch on the implement side.
All rotating parts must be guarded.

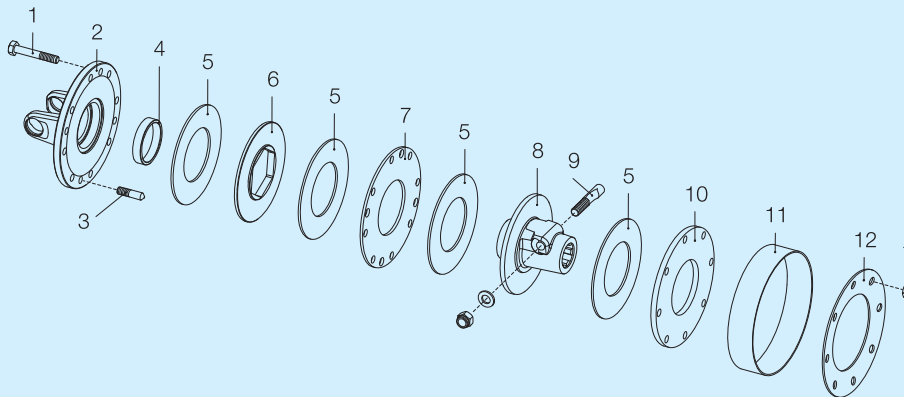
FT44R

Non-adjustable setting



| Size | Torque Nm | B (mm) | | | | Spare parts code | | | |
|-----------|--------------|----------------|-----------------|----------------|-----------------|------------------|------------|------------|------------|
| | | S 1 3/8" Z6 | S 1 3/8" Z21 | S 1 3/4" Z6 | S 1 3/4" Z20 | 1 3/8" Z6 | 1 3/8" Z21 | 1 3/4" Z6 | 1 3/4" Z20 |
| G8 | 1800 | 147 | 147 | 152 | 152 | 663L58G03R | 663L58G37R | 663L58G04R | 663L58G38R |

* Maximum recommended settings for 1000 min⁻¹ velocity.

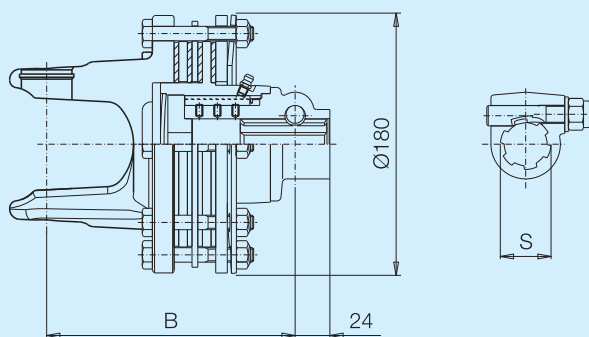


| Ref. | Size | Spare parts code | Description | Technical data |
|----------|-----------|------------------|-------------------------------|---------------------|
| 1 | | 432000100R08 | Bolt | M10 x 70 mm |
| 2 | G8 | 2530L8705R | Flange yoke | |
| 3 | | 310001301R04 | Special socket head set screw | M10 x 40 mm |
| 4 | | 258005320R02 | Bushing | |
| 5 | | 247006351R08 | Friction lining | D = 162 ; d = 85 mm |
| 6 | | 248737702R02 | Driving plate | |
| 7 | | 248870013R02 | Inner disc | Thickness = 4 mm |
| 8 | | 515900305R | Hub with taper pin | 1 3/8" Z6 |
| | | 515903705R | | 1 3/8" Z21 |
| | | 515900405R | | 1 3/4" Z6 |
| | | 515903805R | | 1 3/4" Z20 |
| 9 | | 408000047R02 | Taper pin | 1 3/8" Z6 - Z21 |
| | | 408000046R02 | | 1 3/4" Z6 - Z20 |
| 10 | | 248870005R | Pressure plate | Thickness = 8 mm |
| 11 | | 240000219R02 | Adjustment band | |
| 12 | | 367FT440A | Belleville spring | 1800 Nm |

For primary drivelines, always install any torque limiter or overrunning clutch on the implement side. All rotating parts must be guarded.

FNV34

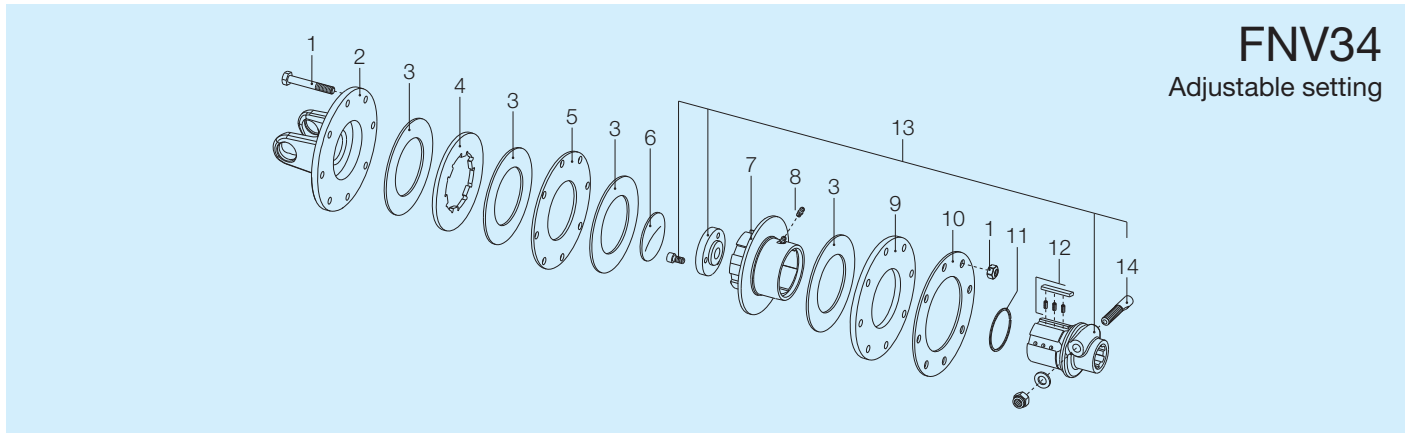
Adjustable setting



| Size | Torque Nm | B (mm) | | | | Spare parts code | | | |
|-----------|--------------|----------------|-----------------|----------------|-----------------|------------------|------------|-----------|------------|
| | | S 1 3/8" Z6 | S 1 3/8" Z21 | S 1 3/4" Z6 | S 1 3/4" Z20 | 1 3/8" Z6 | 1 3/8" Z21 | 1 3/4" Z6 | 1 3/4" Z20 |
| G5 | 1200 | 158 | 158 | --- | --- | 665G48103R | 665G48137R | --- | --- |
| G7 | *1200 | 166 | 166 | --- | --- | 665H48103R | 665H48137R | --- | --- |
| | 1350 | | | | | 665H51103R | 665H51137R | --- | --- |
| | 1450 | | | | | 665H53103R | 665H53137R | --- | --- |
| G8 | 1350 | 172 | 172 | --- | --- | 665L51103R | 665L51137R | --- | --- |
| | *1450 | | | | | 665L53103R | 665L53137R | --- | --- |
| | 1600 | | | | | 665L56103R | 665L56137R | --- | --- |
| | 1800 | | | | | 665L58103R | 665L58137R | --- | --- |

* Maximum recommended settings for 1000 min⁻¹ velocity.

For primary drivelines, always install any torque limiter or overrunning clutch on the implement side. All rotating parts must be guarded.



FNV34

Adjustable setting

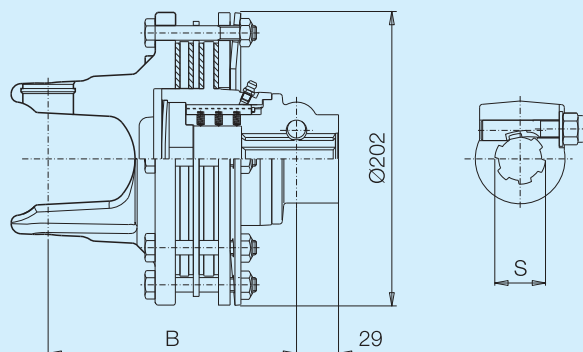
| Ref. | Size | Spare parts code | Description | Technical data |
|------|------|------------------|-----------------------------|---------------------|
| 1 | | 432000114R08 | Bolt | M 10 x 75 mm |
| 2 | G5 | 2530G1L01R | Flange yoke | |
| | G7 | 2530H1L01R | | |
| | G8 | 2530L1L01R | | |
| 3 | | 247000054R08 | Friction lining | D = 140 ; d = 85 mm |
| 4 | | 2481L0003R02 | Driving plate | |
| 5 | | 2481L0001R02 | Inner plate | Thickness = 4 mm |
| 6 | | 240000746R05 | Locking plate | |
| 7 | | 4271L0101R | Overrunning clutch housing | |
| 8 | | 348017000R20 | Grease fitting | |
| 9 | | 2481L0005R02 | Pressure plate | Thickness = 8 mm |
| 10 | | 367008860R | Belleville spring | |
| 11 | | 339002060R20 | Snap ring | |
| 12 | | 4211L0001R06 | Pawl + springs kit | |
| 13 | | 5151L0351R | Hub, plug and taper pin kit | 1 3/8" Z6 |
| | | 5151L3751R | | 1 3/8" Z21 |
| 14 | | 408000047R02 | Taper pin | 1 3/8" Z6 - Z21 |



For primary drivelines, always install any torque limiter or overrunning clutch on the implement side.
All rotating parts must be guarded.

FNV44

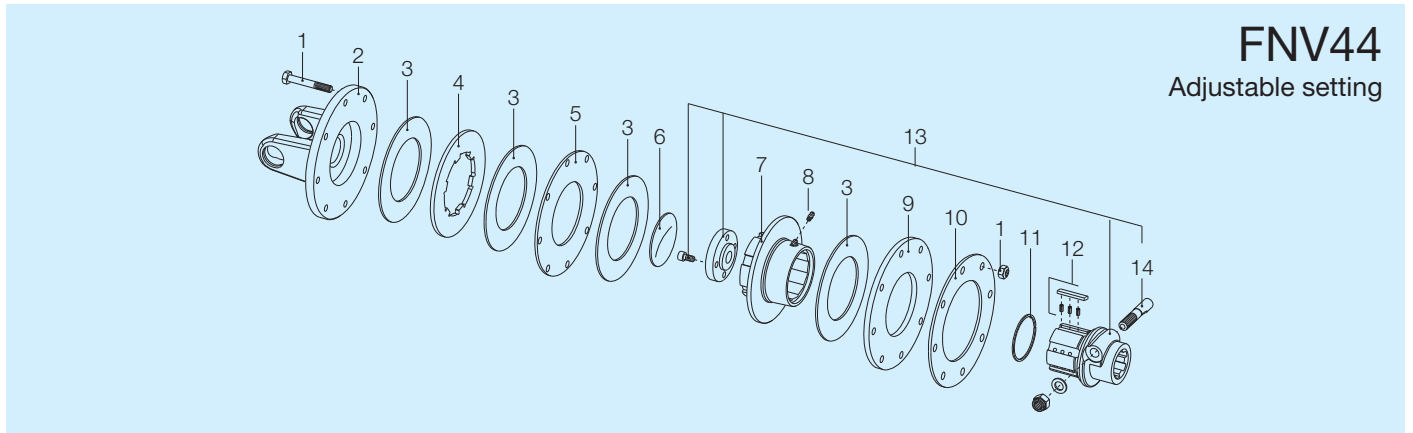
Adjustable setting



| Size | Torque Nm | B (mm) | | | | Spare parts code | | | |
|-----------|--------------|----------------|-----------------|----------------|-----------------|------------------|------------|------------|------------|
| | | S 1 3/8" Z6 | S 1 3/8" Z21 | S 1 3/4" Z6 | S 1 3/4" Z20 | 1 3/8" Z6 | 1 3/8" Z21 | 1 3/4" Z6 | 1 3/4" Z20 |
| G8 | 1800 | 175 | 175 | 175 | 175 | 665L58203R | 665L58237R | 665L58204R | 665L58238R |

* Maximum recommended settings for 1000 min⁻¹ velocity.

For primary drivelines, always install any torque limiter or overrunning clutch on the implement side.
All rotating parts must be guarded.

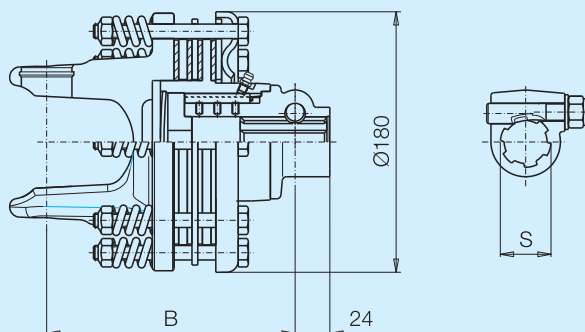


| Ref. | Size | Spare parts code | Description | Technical data |
|------|------|------------------|-----------------------------|---------------------|
| 1 | | 432000114R08 | Bolt | M 10 x 75 mm |
| 2 | G8 | 2530L1M01R | Flange yoke | |
| 3 | | 247000061R08 | Friction lining | D = 160 ; d = 97 mm |
| 4 | | 2481M0001R02 | Driving plate | |
| 5 | | 2481M0002R02 | Inner plate | Thickness = 4 mm |
| 6 | | 240000748R05 | Locking plate | |
| 7 | | 4271M0101R | Overrunning clutch housing | |
| 8 | | 348017000R20 | Grease fitting | |
| 9 | | 2481H0004R02 | Pressure plate | Thickness = 8 mm |
| 10 | | 367009870R | Belleville spring | |
| 11 | | 339002068R20 | Snap ring | |
| 12 | | 4211L0001R06 | Pawl + springs kit | |
| 13 | | 5151M0351R | Hub, plug and taper pin kit | 1 3/8" Z6 |
| | | 5151M3751R | | 1 3/8" Z21 |
| | | 5151M0451R | | 1 3/4" Z6 |
| | | 5151M3851R | | 1 3/4" Z20 |
| 14 | | 408000047R02 | Taper pin | 1 3/8" Z6 - Z21 |
| | | 408000046R02 | | 1 3/4" Z6 - Z20 |

For primary drivelines, always install any torque limiter or overrunning clutch on the implement side.
All rotating parts must be guarded.

FFNV34

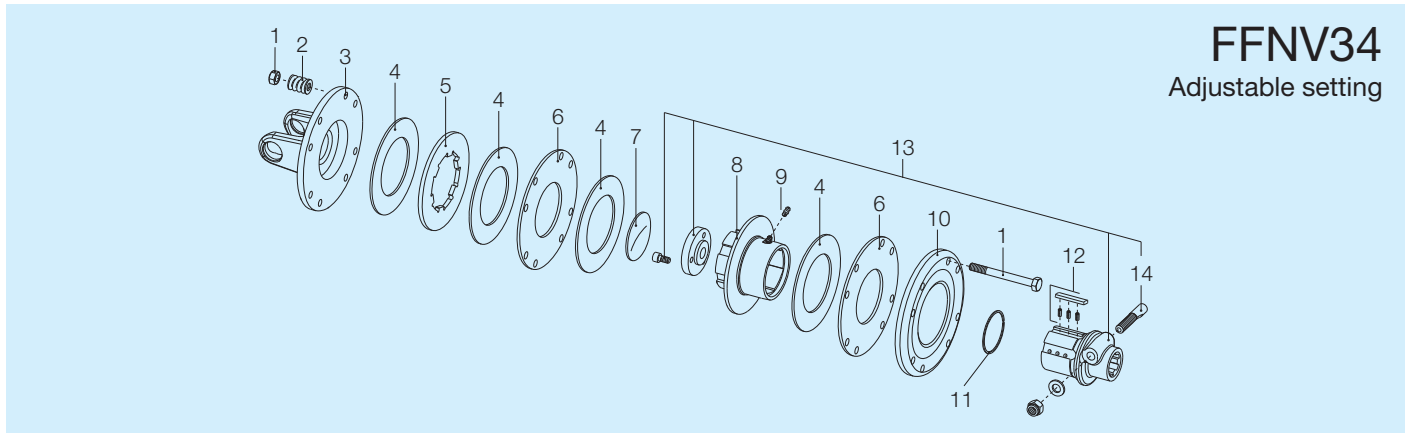
Adjustable setting



| Size | Torque Nm | B (mm) | | | | Spare parts code | | | |
|-----------|--------------|----------------|-----------------|----------------|-----------------|------------------|------------|-----------|------------|
| | | S 1 3/8" Z6 | S 1 3/8" Z21 | S 1 3/4" Z6 | S 1 3/4" Z20 | 1 3/8" Z6 | 1 3/8" Z21 | 1 3/4" Z6 | 1 3/4" Z20 |
| G5 | 1200 | 158 | 158 | --- | --- | 667G48103R | 667G48137R | --- | --- |
| G7 | *1200 | 166 | 166 | --- | --- | 667H48103R | 667H48137R | --- | --- |
| | 1350 | | | | | 667H51103R | 667H51137R | --- | --- |
| | 1450 | | | | | 667H53103R | 667H53137R | --- | --- |
| G8 | 1350 | 172 | 172 | --- | --- | 667L51103R | 667L51137R | --- | --- |
| | *1450 | | | | | 667L53103R | 667L53137R | --- | --- |
| | 1600 | | | | | 667L56103R | 667L56137R | --- | --- |
| | 1800 | | | | | 667L58103R | 667L58137R | --- | --- |

* Maximum recommended settings for 1000 min⁻¹ velocity.

For primary drivelines, always install any torque limiter or overrunning clutch on the implement side.
All rotating parts must be guarded.



FFNV34
Adjustable setting

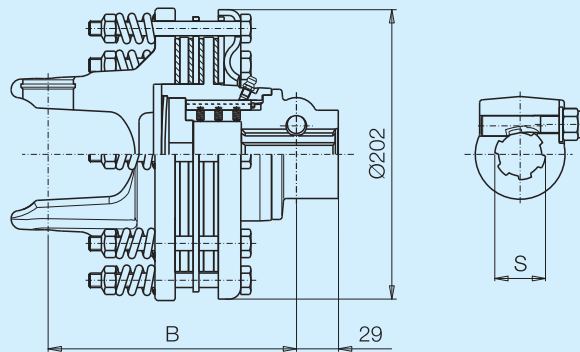
| Ref. | Size | Spare parts code | Description | Technical data |
|------|------|------------------|-----------------------------|---------------------|
| 1 | | 432000007R08 | Bolt | M10 x 100 mm |
| 2 | | 351022370R08 | Coil spring | f = 6 mm |
| 3 | G5 | 2530G1L05R | Flange yoke | |
| | G7 | 2530H1L05R | | |
| | G8 | 2530L1L05R | | |
| 4 | | 247000054R08 | Friction lining | D = 140 ; d = 85 mm |
| 5 | | 2481L0003R02 | Driving plate | |
| 6 | | 2481L0007R02 | Inner plate | Thickness = 4 mm |
| 7 | | 240000746R05 | Locking plate | |
| 8 | | 4271L0101R | Overrunning clutch housing | |
| 9 | | 348017000R20 | Grease fitting | |
| 10 | | 248220007R02 | Pressure plate | |
| 11 | | 339002060R20 | Snap ring | |
| 12 | | 4211L0001R06 | Pawl + springs kit | |
| | | | | |
| 13 | | 5151L0351R | Hub, plug and taper pin kit | 1 3/8" Z6 |
| | | 5151L3751R | | 1 3/8" Z21 |
| 14 | | 408000047R02 | Taper pin | 1 3/8" Z6 - Z21 |



For primary drivelines, always install any torque limiter or overrunning clutch on the implement side.
All rotating parts must be guarded.

FFNV44

Adjustable setting

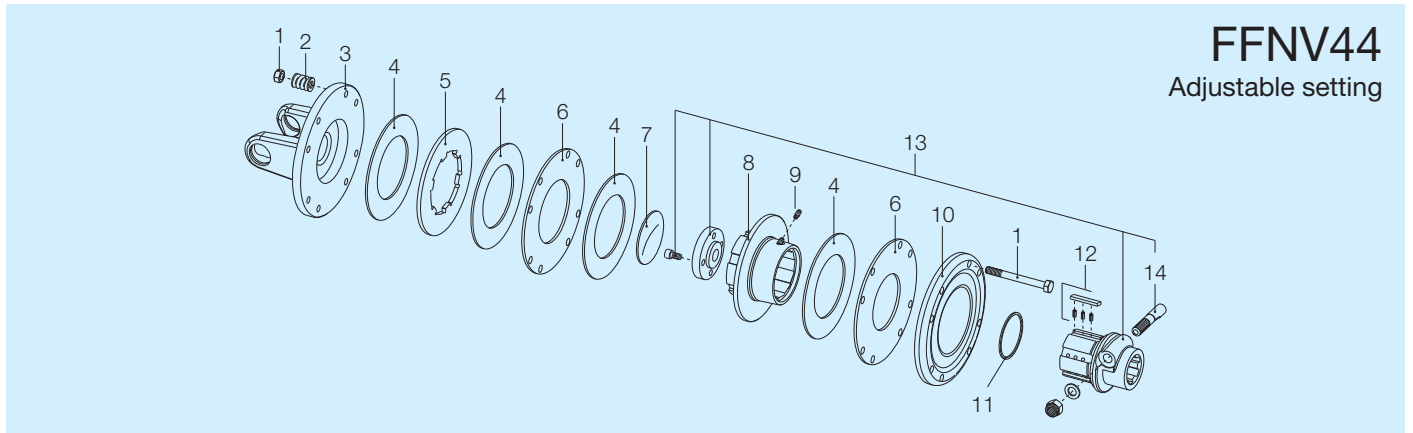


| Size | Torque Nm | B (mm) | | | | Spare parts code | | | |
|------|--------------|----------------|-----------------|----------------|-----------------|------------------|------------|------------|------------|
| | | S 1 3/8" Z6 | S 1 3/8" Z21 | S 1 3/4" Z6 | S 1 3/4" Z20 | 1 3/8" Z6 | 1 3/8" Z21 | 1 3/4" Z6 | 1 3/4" Z20 |
| G8 | 1800 | 175 | 175 | 175 | 175 | 667L58203R | 667L58237R | 667L58204R | 667L58238R |

* Maximum recommended settings for 1000 min⁻¹ velocity.



For primary drivelines, always install any torque limiter or overrunning clutch on the implement side.
All rotating parts must be guarded.



FFNV44

Adjustable setting

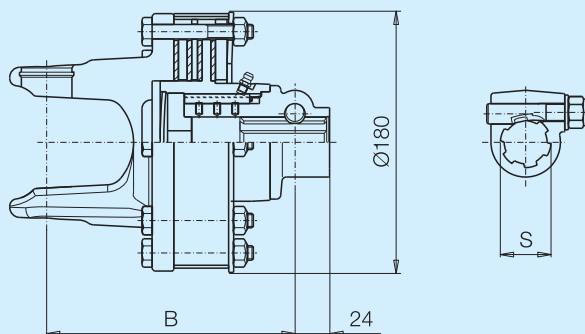
| Ref. | Size | Spare parts code | Description | Technical data |
|------|------|------------------|-----------------------------|---------------------|
| 1 | | 432000122R08 | Bolt | M10 x 105 mm |
| 2 | | 351013370R08 | Coil spring | f = 7 mm |
| 3 | G8 | 2530L1M05R | Flange yoke | |
| 4 | | 247000061R08 | Friction lining | D = 160 ; d = 97 mm |
| 5 | | 2481M0001R02 | Driving plate | |
| 6 | | 2481M0007R02 | Inner plate | Thickness = 4 mm |
| 7 | | 240000748R05 | Locking plate | |
| 8 | | 4271M0101R | Overrunning clutch housing | |
| 9 | | 348017000R20 | Grease fitting | |
| 10 | | 248230006R02 | Pressure plate | |
| 11 | | 339002068R20 | Snap ring | |
| 12 | | 4211L0001R06 | Pawl + springs kit | |
| 13 | | 5151M0351R | Hub, plug and taper pin kit | 1 3/8" Z6 |
| | | 5151M3751R | | 1 3/8" Z21 |
| | | 5151M0451R | | 1 3/4" Z6 |
| | | 5151M3851R | | 1 3/4" Z20 |
| 14 | | 408000047R02 | Taper pin | 1 3/8" Z6 - Z21 |
| | | 408000046R02 | | 1 3/4" Z6 - Z20 |



For primary drivelines, always install any torque limiter or overrunning clutch on the implement side.
All rotating parts must be guarded.

FNT34

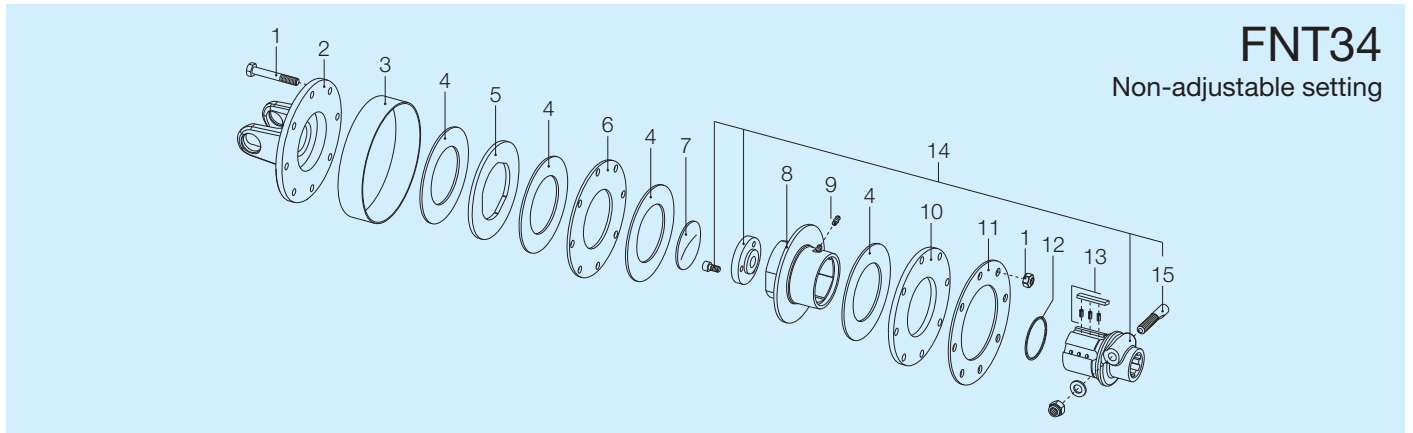
Non-adjustable setting



| Size | Torque Nm | B (mm) | | | | Spare parts code | | | |
|------|--------------|----------------|-----------------|----------------|-----------------|------------------|------------|-----------|------------|
| | | S 1 3/8" Z6 | S 1 3/8" Z21 | S 1 3/4" Z6 | S 1 3/4" Z20 | 1 3/8" Z6 | 1 3/8" Z21 | 1 3/4" Z6 | 1 3/4" Z20 |
| G5 | 1200 | 158 | 158 | --- | --- | 658G48103R | 658G48137R | --- | --- |
| G7 | *1200 | 166 | 166 | --- | --- | 658H48103R | 658H48137R | --- | --- |
| | 1450 | | | | | 658H53103R | 658H53137R | --- | --- |
| G8 | *1450 | 172 | 172 | --- | --- | 658L53103R | 658L53137R | --- | --- |
| | 1800 | | | | | 658L58103R | 658L58137R | --- | --- |

* Maximum recommended settings for 1000 min⁻¹ velocity.

For primary drivelines, always install any torque limiter or overrunning clutch on the implement side. All rotating parts must be guarded.



FNT34

Non-adjustable setting

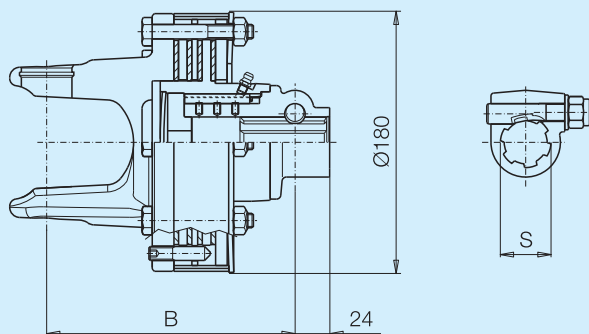
| Ref. | Size | Spare parts code | Description | Technical data |
|------|------|------------------|-----------------------------|---------------------|
| 1 | | 432000100R08 | Bolt | M10 x 65 mm |
| 2 | G5 | 2530G1L01R | Flange yoke | |
| | G7 | 2530H1L01R | | |
| | G8 | 2530L1L01R | | |
| 3 | | 240000218R02 | Adjustment band | |
| 4 | | 247000054R08 | Friction lining | D = 140 ; d = 85 mm |
| 5 | | 2481L0003R02 | Driving plate | |
| 6 | | 2481L0001R02 | Inner plate | Thickness = 4 mm |
| 7 | | 240000746R05 | Locking plate | |
| 8 | | 4271L0101R | Overrunning clutch housing | |
| 9 | | 348017000R20 | Grease fitting | |
| 10 | | 2481L0002R02 | Pressure plate | Thickness = 8 mm |
| 11 | | 367FT340A | Belleville spring | 1200 Nm |
| | | 367FT340C | | 1450 Nm |
| | | 367FT340D | | 1800 Nm |
| 12 | | 339002060R20 | Snap ring | |
| 13 | | 4211L0001R06 | Pawl + springs kit | |
| 14 | | 5151L0351R | Hub, plug and taper pin kit | 1 3/8" Z6 |
| | | 5151L3751R | | 1 3/8" Z21 |
| 15 | | 408000047R02 | Taper pin | 1 3/8" Z6 - Z21 |



For primary drivelines, always install any torque limiter or overrunning clutch on the implement side.
All rotating parts must be guarded.

FNT34R

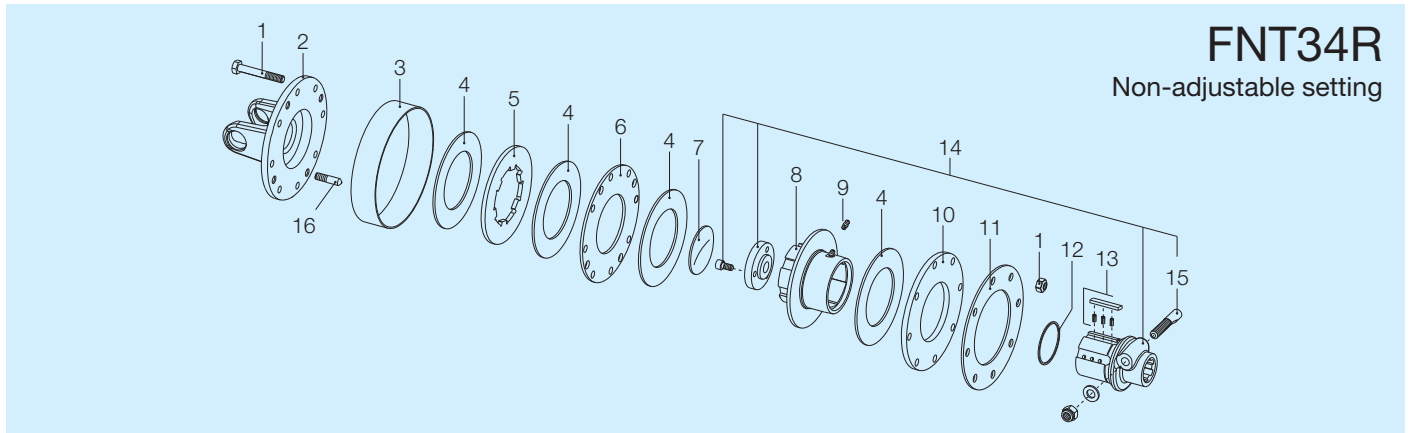
Non-adjustable setting



| Size | Torque Nm | B (mm) | | | | Spare parts code | | | |
|------|--------------|----------------|-----------------|----------------|-----------------|------------------|------------|-----------|------------|
| | | S 1 3/8" Z6 | S 1 3/8" Z21 | S 1 3/4" Z6 | S 1 3/4" Z20 | 1 3/8" Z6 | 1 3/8" Z21 | 1 3/4" Z6 | 1 3/4" Z20 |
| G5 | 1200 | 158 | 158 | --- | --- | 658G48203R | 658G48237R | --- | --- |
| G7 | *1200 | 166 | 166 | --- | --- | 658H48203R | 658H48237R | --- | --- |
| | 1450 | | | | | 658H53203R | 658H53237R | --- | --- |
| G8 | *1450 | 172 | 172 | --- | --- | 658L53203R | 658L53237R | --- | --- |
| | 1800 | | | | | 658L58203R | 658L58237R | --- | --- |

* Maximum recommended settings for 1000 min⁻¹ velocity.

For primary drivelines, always install any torque limiter or overrunning clutch on the implement side.
All rotating parts must be guarded.



FNT34R

Non-adjustable setting

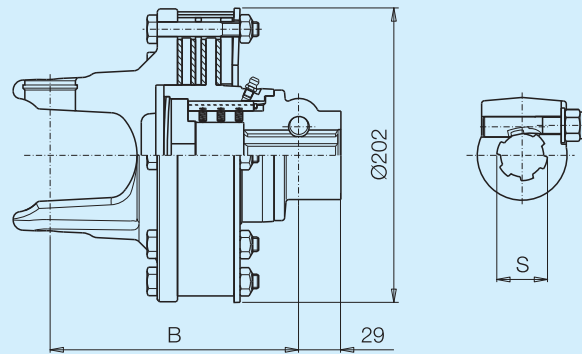
| Ref. | Size | Spare parts code | Description | Technical data |
|------|------|------------------|-------------------------------|---------------------|
| 1 | | 432000100R08 | Bolt | M10 x 70 mm |
| 2 | G5 | 2530G1L02R | Flange yoke | |
| | G7 | 2530H1L02R | | |
| | G8 | 2530L1L02R | | |
| 3 | | 240000218R02 | Adjustment band | |
| 4 | | 247000054R08 | Friction lining | D = 140 ; d = 85 mm |
| 5 | | 2481L0003R02 | Driving plate | |
| 6 | | 2481L0004R02 | Inner plate | Thickness = 4 mm |
| 7 | | 240000746R05 | Locking plate | |
| 8 | | 4271L0101R | Overrunning clutch housing | |
| 9 | | 348017000R20 | Grease fitting | |
| 10 | | 2481L0002R02 | Pressure plate | Thickness = 8 mm |
| 11 | | 367FT340A | Belleville spring | 1200 Nm |
| | | 367FT340C | | 1450 Nm |
| | | 367FT340D | | 1800 Nm |
| 12 | | 339002060R20 | Snap ring | |
| 13 | | 4211L0001R06 | Pawl + springs kit | |
| 14 | | 5151L0351R | Hub, plug and taper pin kit | 1 3/8" Z6 |
| | | 5151L3751R | | 1 3/8" Z21 |
| 15 | | 408000047R02 | Taper pin | 1 3/8" Z6 - Z21 |
| 16 | | 310001301R04 | Special socket head set screw | M 10 x 40 mm |



For primary drivelines, always install any torque limiter or overrunning clutch on the implement side.
All rotating parts must be guarded.

FNT44

Non-adjustable setting

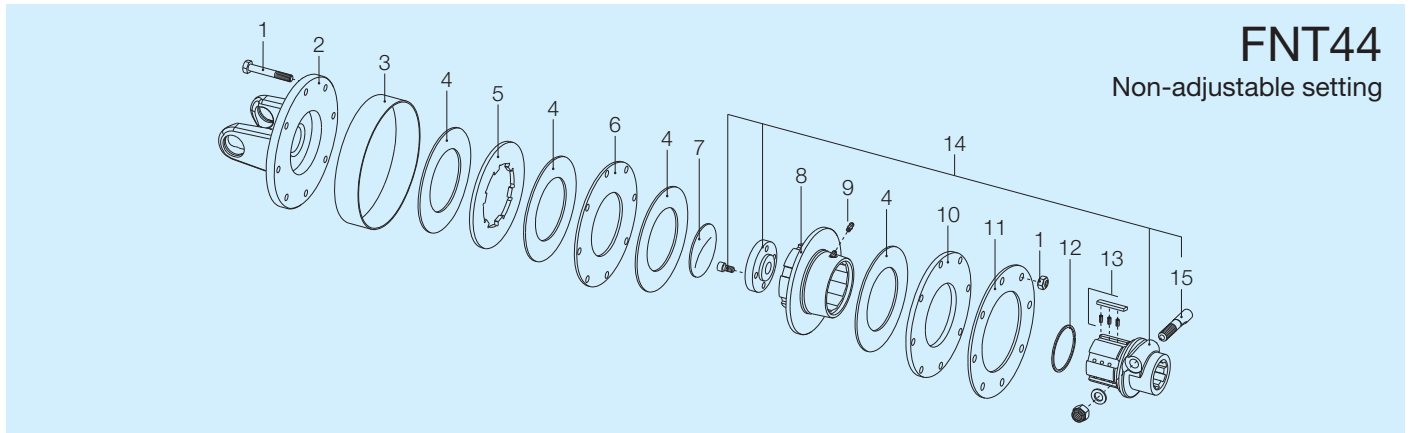


| Size | Torque Nm | B (mm) | | | | Spare parts code | | | |
|------|--------------|----------------|-----------------|----------------|-----------------|------------------|------------|------------|------------|
| | | S 1 3/8" Z6 | S 1 3/8" Z21 | S 1 3/4" Z6 | S 1 3/4" Z20 | 1 3/8" Z6 | 1 3/8" Z21 | 1 3/4" Z6 | 1 3/4" Z20 |
| G8 | 1800 | 175 | 175 | 175 | 175 | 658L58303R | 658L58337R | 658L58304R | 658L58338R |

* Maximum recommended settings for 1000 min⁻¹ velocity.



For primary drivelines, always install any torque limiter or overrunning clutch on the implement side.
All rotating parts must be guarded.



FNT44

Non-adjustable setting

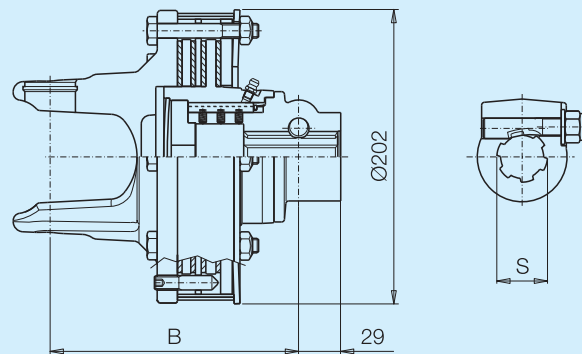
| Ref. | Size | Spare parts code | Description | Technical data |
|------|------|------------------|-----------------------------|---------------------|
| 1 | | 432000100R08 | Bolt | M 10 x 70 mm |
| 2 | G8 | 2530L1M01R | Flange yoke | |
| 3 | | 240000219R02 | Adjustment band | |
| 4 | | 247000061R08 | Friction lining | D = 160 ; d = 97 mm |
| 5 | | 2481M0001R02 | Driving plate | |
| 6 | | 2481M0002R02 | Inner plate | Thickness = 4 mm |
| 7 | | 240000748R05 | Locking plate | |
| 8 | | 4271M0101R | Overrunning clutch plug | |
| 9 | | 348017000R20 | Grease fitting | |
| 10 | | 2481H0003R02 | Pressure plate | Thickness = 8 mm |
| 11 | | 367FT440A | Belleville spring | 1800 Nm |
| 12 | | 339002068R20 | Snap ring | |
| 13 | | 4211L0001R06 | Pawl + springs kit | |
| 14 | | 5151M0351R | Hub, plug and taper pin kit | 1 3/8" Z6 |
| | | 5151M3751R | | 1 3/8" Z21 |
| | | 5151M0451R | | 1 3/4" Z6 |
| | | 5151M3851R | | 1 3/4" Z20 |
| 15 | | 408000047R02 | Taper pin | 1 3/8" Z6 - Z21 |
| | | 408000046R02 | | 1 3/4" Z6 - Z20 |



For primary drivelines, always install any torque limiter or overrunning clutch on the implement side.
All rotating parts must be guarded.

FNT44R

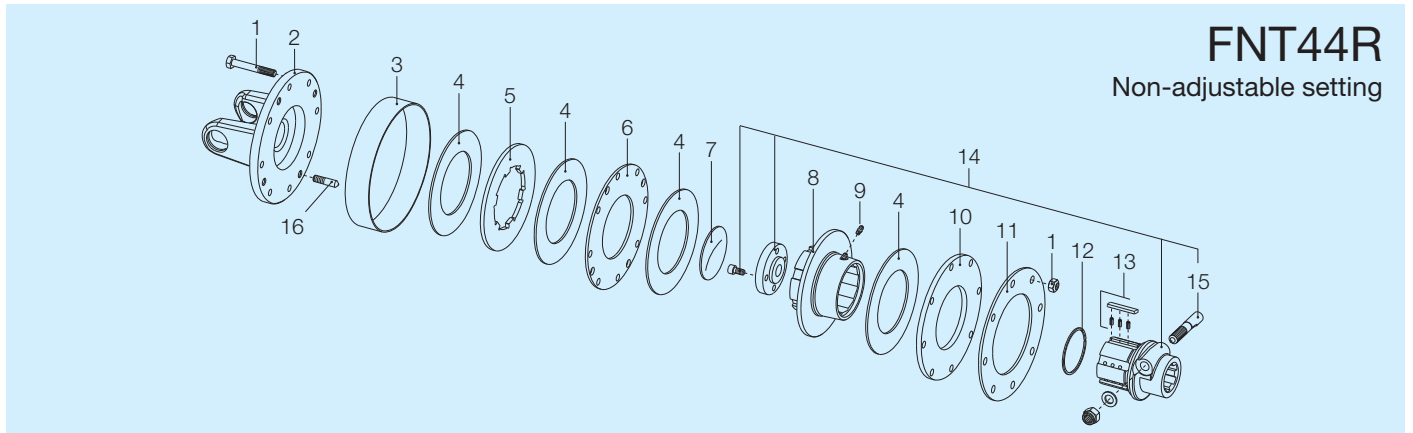
Non-adjustable setting



| Size | Torque Nm | B (mm) | | | | Spare parts code | | | |
|------|--------------|----------------|-----------------|----------------|-----------------|------------------|------------|------------|------------|
| | | S 1 3/8" Z6 | S 1 3/8" Z21 | S 1 3/4" Z6 | S 1 3/4" Z20 | 1 3/8" Z6 | 1 3/8" Z21 | 1 3/4" Z6 | 1 3/4" Z20 |
| G8 | 1800 | 175 | 175 | 175 | 175 | 658L58403R | 658L58437R | 658L58404R | 658L58438R |

* Maximum recommended settings for 1000 min⁻¹ velocity.

For primary drivelines, always install any torque limiter or overrunning clutch on the implement side.
All rotating parts must be guarded.



FNT44R

Non-adjustable setting

| Ref. | Size | Spare parts code | Description | Technical data |
|------|------|------------------|-------------------------------|---------------------|
| 1 | | 432000100R08 | Bolt | M 10 x 70 mm |
| 2 | G8 | 2530L1M02R | Flange yoke | |
| 3 | | 240000219R02 | Adjustment band | |
| 4 | | 247000061R08 | Friction lining | D = 160 ; d = 97 mm |
| 5 | | 2481M0001R02 | Driving plate | |
| 6 | | 2481M0003R02 | Inner plate | Thickness = 4 mm |
| 7 | | 240000748R05 | Locking plate | |
| 8 | | 4271M0101R | Overrunning clutch plug | |
| 9 | | 348017000R20 | Grease fitting | |
| 10 | | 2481H0003R02 | Pressure plate | Thickness = 8 mm |
| 11 | | 367FT440A | Belleville spring | 1800 Nm |
| 12 | | 339002068R20 | Snap ring | |
| 13 | | 4211L0001R06 | Pawl + springs kit | |
| 14 | | 5151M0351R | Hub, plug and taper pin kit | 1 3/8" Z6 |
| | | 5151M3751R | | 1 3/8" Z21 |
| | | 5151M0451R | | 1 3/4" Z6 |
| | | 5151M3851R | | 1 3/4" Z20 |
| 15 | | 408000047R02 | Taper pin | 1 3/8" Z6 - Z21 |
| | | 408000046R02 | | 1 3/4" Z6 - Z20 |
| 16 | | 310001301R04 | Special socket head set screw | M 10 x 40 mm |



For primary drivelines, always install any torque limiter or overrunning clutch on the implement side.
All rotating parts must be guarded.

Complete shield kits for spare parts

Complete shield kits for spare parts are sized to fit the drivelines on which they will be used.

The code for the shield kit length is the same code used for the driveline length.

Shield tubes can be cut to fit a specific driveline length, but the shield tubes should maintain sufficient overlap for all operating and transport conditions.

Safety labels and operator's manuals are included according to the standards and regulations of the country of destination. Shield kits are supplied with chains or with the Single Chain System, except for North America, where shield restraints are optional.

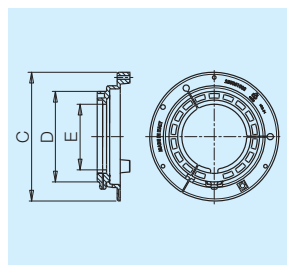
The standard connection of restraint chains to the shield is by means of an "S" hook for sizes S1 to S5. For larger sizes, the connection is made by the Spring Link device. Chains with Spring Link are available for smaller sizes as an option, by adding the letter "Z" to the end of the complete shield kit code.

Global drivelines and shields are tested to meet EN1152, EN ISO 5674, EN 12965 standards, and are CE certified. Complete shield kits are sold as spare parts and therefore, according to the Machinery Directive, do not require a CE mark. However, the mark can be applied on request.

Standards EN 12965 and ANSI/ASABE S604 require a 50 mm overlap of the driveline shield with the implement input connection shield.

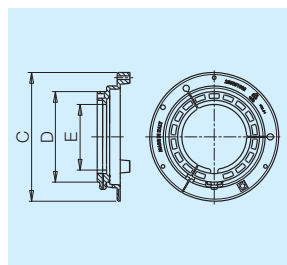
Bearing ring for standard safety shields

For outer tube



| | D mm | E mm | C mm | Spare parts Code |
|----|---------|---------|---------|---------------------|
| G1 | 66.0 | 40.4 | 103 | 255011002R02 |
| G2 | 66.0 | 47.4 | 103 | 255021002R02 |
| G3 | 72.5 | 53.4 | 109 | 255041002R02 |
| G4 | 72.5 | 53.4 | 109 | 255041002R02 |
| G5 | 87.2 | 62.4 | 124 | 255051002R02 |
| G7 | 87.2 | 68.4 | 124 | 255071002R02 |
| G8 | 87.2 | 68.4 | 124 | 255071002R02 |

For inner tube

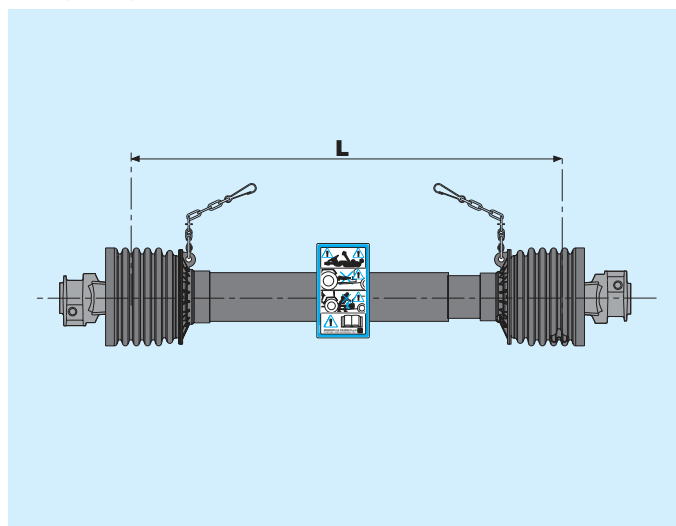


| | D mm | E mm | C mm | Spare parts Code |
|----|---------|---------|---------|---------------------|
| G1 | 60.6 | 34.4 | 103 | 255011001R02 |
| G2 | 60.6 | 40.4 | 103 | 255021001R02 |
| G3 | 67.0 | 46.4 | 109 | 255041001R02 |
| G4 | 67.0 | 46.4 | 109 | 255041001R02 |
| G5 | 81.0 | 53.4 | 124 | 255051001R02 |
| G7 | 81.0 | 59.4 | 124 | 255071001R02 |
| G8 | 81.0 | 59.4 | 124 | 255071001R02 |

Single cardan joint Standard safety shields

| Code | 086 | 121 |
|---------------|-------------|-------------|
| Length L (mm) | 860 | 1210 |
| G1 | 5CG1086FXSS | 5CG1121FXSS |
| G2 | 5CG2086FXSS | 5CG2121FXSS |
| G3 | 5CG3086FXSS | 5CG3121FXSS |
| G4 | 5CG4086FXSS | 5CG4121FXSS |
| G5 | 5CG5086FXSS | 5CG5121FXSS |
| G7 | 5CG7086FXSS | 5CG7121FXSS |
| G8 | 5CG8086FXSS | 5CG8121FXSS |

For North America, replace the "FX" in the codes above with "U2".
For Japan, replace the "FX" in the codes above with "JP".



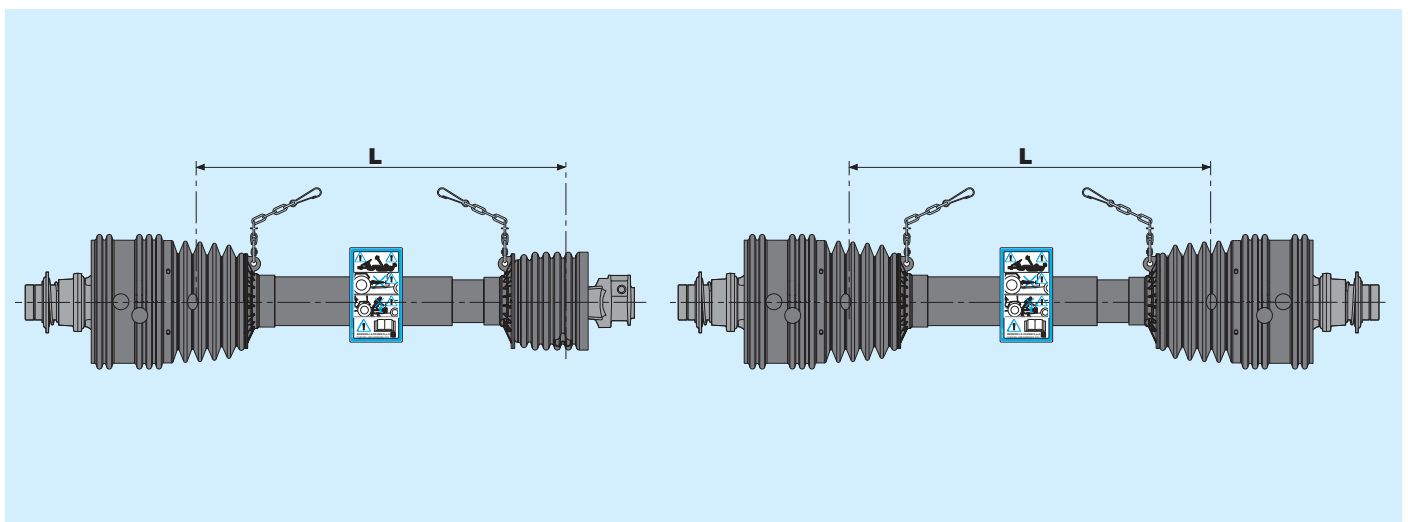
80° Constant velocity joint
Standard safety shields

| Code | 086 | 121 |
|---------------|-------------|-------------|
| Length L (mm) | 860 | 1210 |
| G1 | --- | --- |
| G2 | 5CG2086FXWS | 5CG2121FXWS |
| G3 | --- | --- |
| G4 | 5CG4086FXWS | 5CG4121FXWS |
| G5 | 5CG5086FXWS | 5CG5121FXWS |
| G7 | 5CG7086FXWS | 5CG7121FXWS |
| G8 | 5CG8086FXWS | 5CG8121FXWS |

80° Double constant velocity joint
Standard safety shields

| Code | 086 | 121 |
|---------------|-------------|-------------|
| Length L (mm) | 860 | 1210 |
| G1 | --- | --- |
| G2 | 5CG2086FXWW | 5CG2121FXWW |
| G3 | --- | --- |
| G4 | 5CG4086FXWW | 5CG4121FXWW |
| G5 | 5CG5086FXWW | 5CG5121FXWW |
| G7 | 5CG7086FXWW | 5CG7121FXWW |
| G8 | 5CG8086FXWW | 5CG8121FXWW |

For North America, replace the "FX" in the codes above with "U2". For Japan, replace the "FX" in the codes above with "JP".



The size of the IIC shields should be sufficient to allow the cone to pass over the driveline's outer cone. Diameter D_1 must therefore be larger than the diameter of the outer cone, or any type of torque limiter or clutch installed on the driveline.

The table below shows appropriate IIC shield diameter codes (i.e. the diameter D in centimeters) for various driveline attachments.

IIC shields and driveline shields should allow minimal access to revolving parts, while leaving the driveline easy to install and free to articulate.

| Driveline Attachment | G1 | G2 | G3 | G4 | G5 | G7 | G8 |
|--------------------------------|----|----|----|----|----|----|----|
| Yokes for single cardan joints | 17 | 19 | 19 | 19 | 21 | 21 | 21 |
| RA | 17 | 19 | 19 | 19 | 21 | 21 | 21 |
| SA - LN | 17 | 19 | 19 | 19 | 21 | -- | -- |
| LB | 19 | 19 | 19 | 19 | 21 | 21 | 21 |
| LR23 - LR24 | -- | -- | -- | 19 | 21 | 21 | 21 |
| FV22 - FFV22 - FT22 | 21 | 21 | 21 | 21 | -- | -- | -- |
| FV32 - FFV32 - FT32 | -- | -- | -- | 23 | 23 | 23 | -- |
| FT34 - FFV34 - FT34 | -- | -- | -- | -- | 23 | 23 | 23 |
| FV42 - FFV42 - FT42 | -- | -- | -- | -- | 25 | 25 | 25 |
| FV44 - FFV44 - FT44 | -- | -- | -- | -- | -- | -- | 25 |
| FNV34 - FFNV34 - FNT34 | -- | -- | -- | -- | 23 | 23 | 23 |
| FNV44 - FFNV44 - FNT44 | -- | -- | -- | -- | -- | -- | 25 |

The IIC shield length L is measured from the face of the metal plate to the end of the plastic shield.

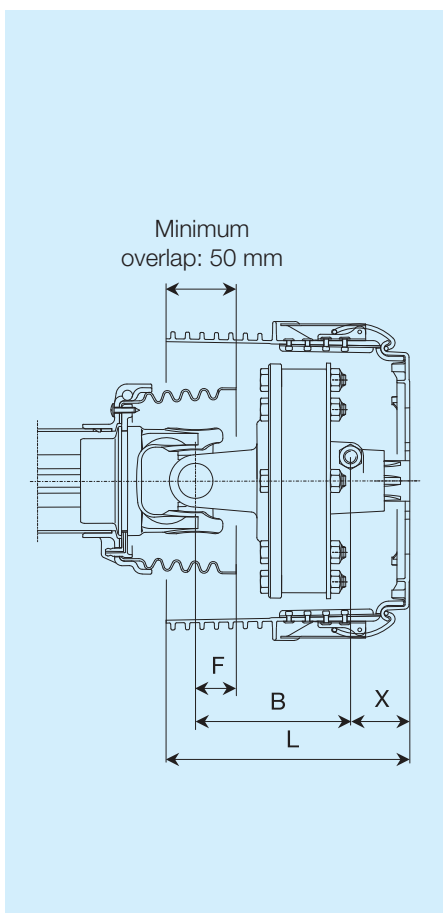
Standard shield lengths are shown in the table below and must be chosen to provide sufficient overlap with the driveline shield, while leaving the necessary space for shaft installation and movement.

IIC shield length L can be calculated by the formula $L = X + B + 50 - F$, where X is the length of the implement shaft, and 50 mm is the shield overlap required by standards EN 12965 and ANSI/ASABE S604.

Length B is measured from the annular groove of the splined shaft to the center of the cross. These dimensions are listed within this catalog for each yoke, torque limiter, or clutch (see section for relevant size driveline).

Length F is measured from the protrusion of the shield to the cross center. This dimension is also listed in the tables related to driveline sizes.

The table below shows the length codes for each IIC shield. Always choose the next longer standard length above the calculated length to maintain a 50 mm overlap with the driveline shield.



$$L = X + B + 50 - F$$

| Length code | L (mm) | | | | |
|-------------|----------|----------|----------|----------|----------|
| | D=170 mm | D=190 mm | D=210 mm | D=230 mm | D=250 mm |
| 05 | 122 | 122 | 122 | 122 | 122 |
| 10 | 135 | 135 | 135 | 135 | 135 |
| 15 | 147 | 147 | 147 | 147 | 147 |
| 20 | 160 | 160 | 160 | 160 | 160 |
| 25 | 172 | 172 | 172 | 172 | 172 |
| 30 | 185 | 185 | 185 | 185 | 185 |
| 35 | 197 | 197 | 197 | 197 | 197 |
| 40 | 210 | 210 | 210 | 210 | 210 |
| 45 | 222 | 222 | 222 | 222 | 222 |
| 50 | --- | 235 | 235 | 235 | 235 |
| 55 | --- | 247 | 247 | 247 | 247 |
| 60 | --- | --- | 260 | 260 | 260 |
| 65 | --- | --- | --- | 272 | 272 |
| 70 | --- | --- | --- | 285 | 285 |
| 75 | --- | --- | --- | --- | 300 |

IIC shields should be chosen depending on their intended application, the yoke, torque limiter, or clutch to be covered, their dimensions, and on normal driveline movements during implement operations and maneuvers.

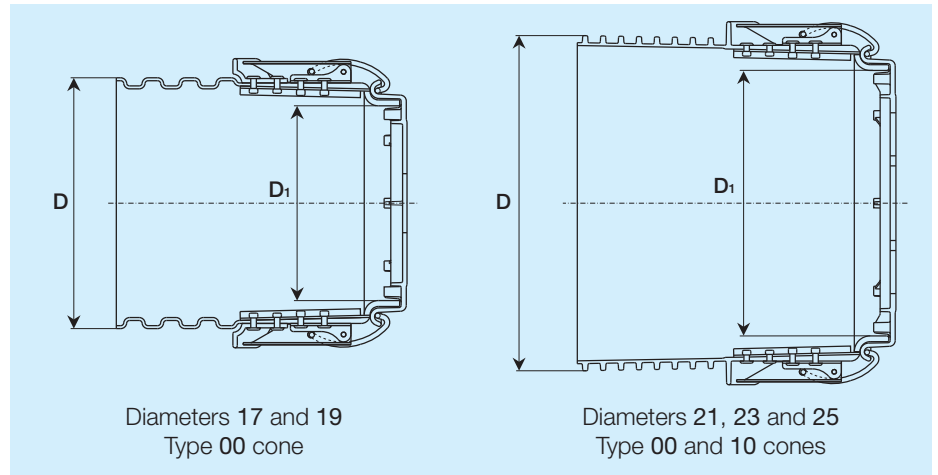
IIC shields, as well as driveline shields, should allow minimal access to revolving parts, but allow unhindered driveline movements.

Standard ISO 5673-1 defines a minimum 150 mm access.

SFT IIC shields are available with two types of shield cones, 00 and 10, which differ in shape, material and diameters.

Type 00 cones come in five different diameters and can be applied to end yokes, overrunning clutches, torsionally resilient joints, ratchet torque limiters, shear bolt torque limiters, and automatic torque limiters.

Type 10 cones come in three diameters and are made of heat-resistant plastic. They are recommended especially for protecting friction torque limiters, which are often used in heavy-duty applications and can reach high working temperatures.



| Diameter code | Type 00 | | Type 10 | |
|---------------|---------|-------------------|---------|-------------------|
| | D mm | D ₁ mm | D mm | D ₁ mm |
| 17 | 170 | 132 | --- | --- |
| 19 | 190 | 152 | --- | --- |
| 21 | 214 | 165 | 214 | 165 |
| 23 | 235 | 185 | 235 | 185 |
| 25 | 259 | 207 | 259 | 207 |

Codes for SFT IIC shields

- 1 2 3 **3 9 5** SFT IIC shield
- 4 5 IIC shield type
 00: for yokes, ratchet torque limiters, shear bolt limiters, automatic limiters
 10: heat-resistant plastic, recommended for friction torque limiters
- 6 7 IIC shield diameter
 17, 19, 21, 23, 25 for type 00 cones
 21, 23, 25 for type 10 cones
- 8 9 IIC Shield length
 05, 10, 15, 20, 25, 30, 35, 40, 45, 50, 55, 60, 65, 70,75
- 10 11 **C E**

Example: 395 00 23 30 CE
 is the code for ordering a SFT IIC Shield with 00 cone, diameter D = 230 mm (code 23), length L = 185 mm (code 30), with an instruction sheet valid for all countries of destination.

Bondioli & Pavesi offers a wide range of shields for PTO's, specifically designed for drivelines and fully compliant with international standards.

Due to the broad range of implements and applications, the specifications contained herein should be used as a general guide to the selection of an implement input connection shield.

The implement manufacturer is responsible for selecting suitable IIC shielding according to the application, the size and the articulation range of the driveline, the standards applicable for the country of destination.

Thorough testing of the IIC shield by the implement manufacturer under actual field conditions is necessary and strongly recommended by Bondioli & Pavesi.

All rotating parts must be guarded. The shields on the tractor and on the implement machine must form an integrated guarding system with the driveline guard.

The Machinery Directive (2006/42/CE) requires that the implement be equipped with an implement input connection shield fixed to the implement.

Standard EN1553 requires the implement input connection shield completely encircle the shaft, but allow for installation and articulation of the driveline. Standards EN 12965 and ANSI/ASABE S604 requires the IIC shield provide at least 50 mm of overlap with the integral driveline guard in the straight position.

The tractor master shield, the integral driveline guard, and the implement input connection shield constitute an interactive guarding system according to ANSI/ASABE S604 standard.

Bondioli & Pavesi recommends the use of proper shields and guards for drivelines, tractors, and implements. Damaged or missing components must be replaced with original spare parts, correctly installed,

before using the driveline.

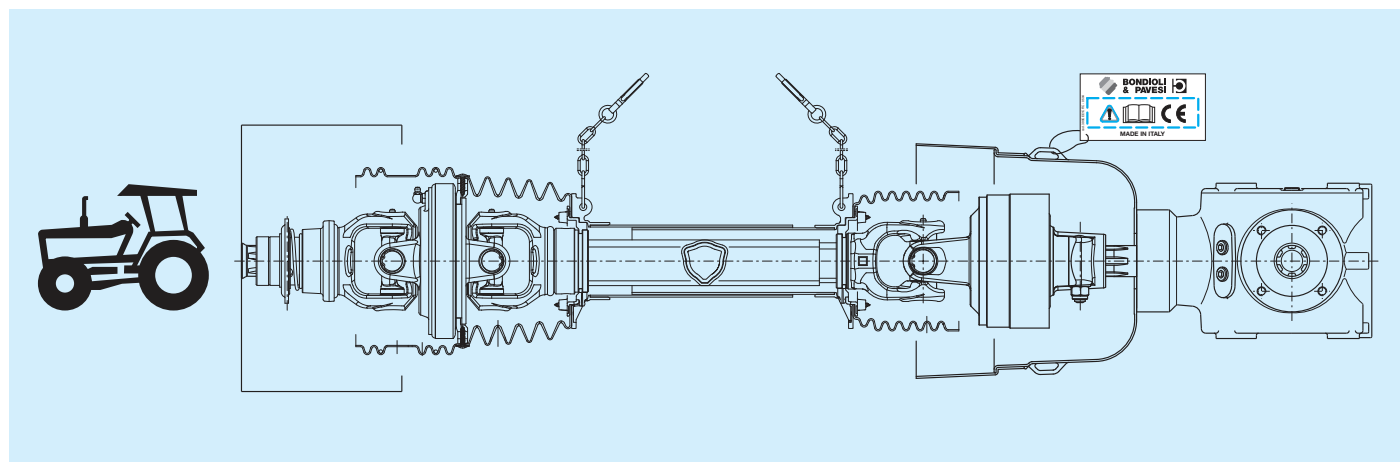
Damaged or missing components must be replaced with original spare parts, correctly installed, before using the driveline.

Bondioli & Pavesi recommends the manufacturers of implements apply labels that clearly state the need to keep safety shields in place and in proper working order.

Manufacturers are also recommended to include in their operating manuals a list of the shields and safety labels, as well as their position on the machine and their code numbers for ordering replacements.

In compliance with ASAE S493 standards, the implement manufacturer shall provide safety sign(s) and instructions stating that guards must be kept in place and the machine should not be operated with guards opened or removed.

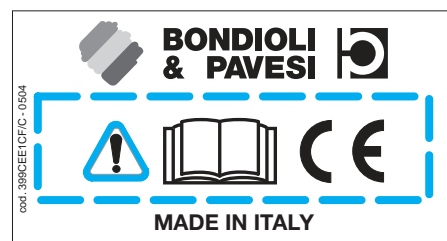
Standard EN 1553 requires a label be used to draw attention to possible risks when the guard is unlocked, opened, or removed.



The oval shape implement input connection shields can be supplied in heat-resistant plastic upon customer request. This material maintains its strength at elevated temperatures. Shields made of heat-resistant plastic can be used to guard devices operating at temperatures higher than normal, such as friction torque limiters working in heavy duty conditions. Basic information for safe and correct use of the driveline and

shielding are shown in the catalogues and on the instruction sheet included with the implement input connection shield.

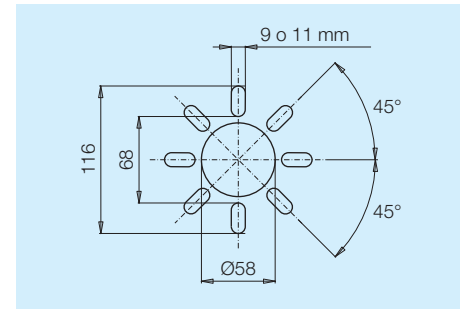
Add the suffix CE to the shield code to specify the instruction sheet for CEE-EFTA countries. Add the extra charge of 0,53 Euro, for CF implement input connection shields provided with instruction sheet including the Declaration of Conformity according to the CEE standards.



Circular shape implement input connection shields

CF implement input connection shields with circular shape are available in three different sizes with or without fixing slots. The flat fixing surface has a diameter of 120 mm, the slots are 24 mm long and 9 or 11 mm wide. It's recommendable that the implement manufacturer provide for a solid and

sturdy mounting by screws and washers on the flat bottom surface. Flexible extensions, available in two different lengths, can be attached to the rigid body to increase the overlap with the driveline guard and allow joint articulation.



| | | | |
|---|--|--|--|
| | <p>Rigid cone</p> | <p>Cone with medium band</p> | <p>Cone with long band</p> |
| <p>Code</p> <p>without slots</p> <p>with slots 9x24</p> <p>with slots 11x24</p> | <p>21901CE</p> <p>219000F09CE</p> <p>219000F11CE</p> | <p>41701CE</p> <p>517000F01CE</p> <p>517000F03CE</p> | <p>41711CE</p> <p>517000F02CE</p> <p>517000F04CE</p> |
| | <p>Rigid cone</p> | <p>Cone with medium band</p> | <p>Cone with long band</p> |
| <p>Code</p> <p>without slots</p> <p>with slots 9x24</p> <p>with slots 11x24</p> | <p>21902CE</p> <p>219000G09CE</p> <p>219000G11CE</p> | <p>41702CE</p> <p>517000G01CE</p> <p>517000G03CE</p> | <p>41712CE</p> <p>517000G02CE</p> <p>517000G04CE</p> |
| | <p>Rigid cone</p> | <p>Cone with medium band</p> | <p>Cone with long band</p> |
| <p>Code</p> <p>without slots</p> <p>with slots 9x24</p> <p>with slots 11x24</p> | <p>21903CE</p> <p>219000H09CE</p> <p>219000H11CE</p> | <p>41703CE</p> <p>517000H01CE</p> <p>517000H03CE</p> | <p>41713CE</p> <p>517000H02CE</p> <p>517000H04CE</p> |

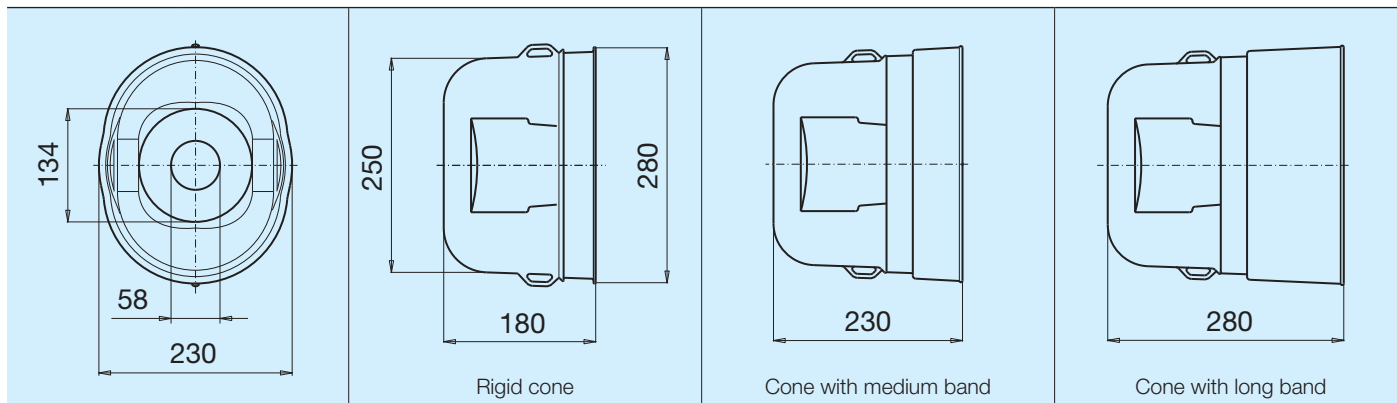
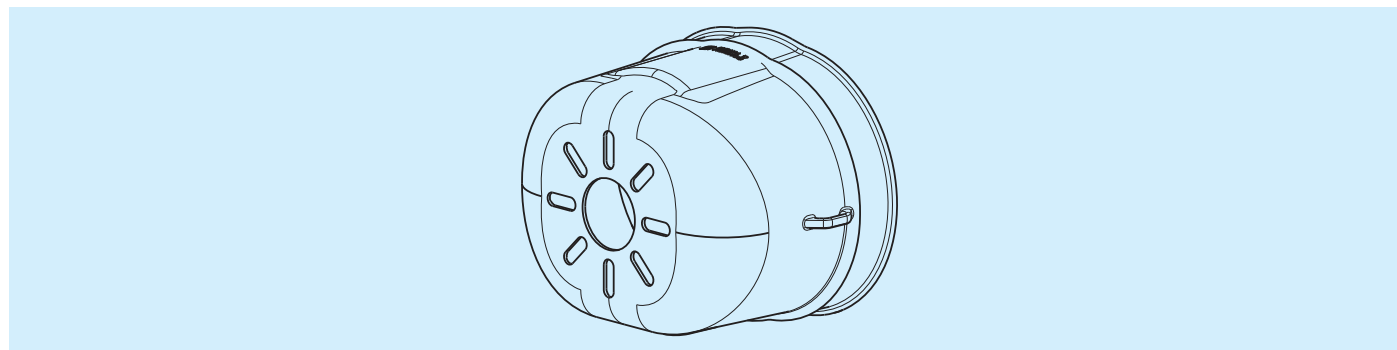
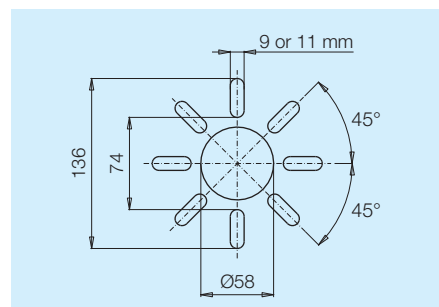
Oval shape implement input connection shields

CF IIC shields with oval shape are available in only one size with or without fixing slots. The flat fixing surface has a diameter of 134 mm, the slots are 31 mm long and 9 or 11 mm wide.

It's recommendable that the implement manufacturer provide for a solid and sturdy mounting by screws and washers on the flat bottom surface.

Flexible extensions, available in two different lengths, can be attached to the rigid body to increase the overlap with the drive-line guard and allow joint articulation.

Oval shape IIC shields can be supplied with one or two windows that give access for the installation of the driveline or checking that is properly secured.



Oval implement input connection shields without access windows

| | | | | |
|------|------------------|-------------|-------------|-------------|
| Code | without slots | 21904CE | 41704CE | 41714CE |
| | with slots 9x31 | 219000A09CE | 517000A01CE | 517000A02CE |
| | with slots 11x31 | 219000A11CE | 517000A03CE | 517000A04CE |

Oval implement input connection shields with one access window

| | | | | |
|------|------------------|-------------|-------------|-------------|
| Code | without slots | 2190401CE | 4170401CE | 4171401CE |
| | with slots 9x31 | 219000C19CE | 517000C01CE | 517000C02CE |
| | with slots 11x31 | 219000C21CE | 517000C03CE | 517000C04CE |

Oval implement input connection shields with two access windows

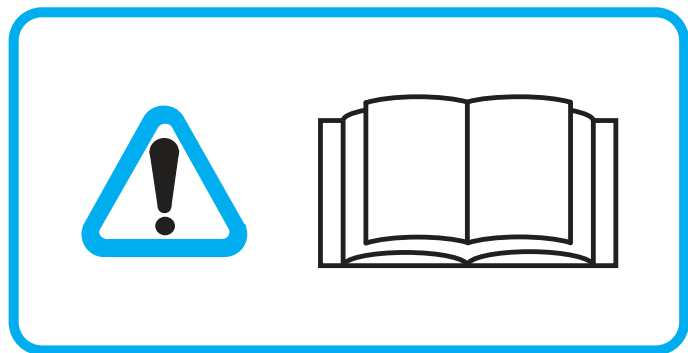
| | | | | |
|------|------------------|-------------|-------------|-------------|
| Code | without slots | 2190402CE | 4170402CE | 4171402CE |
| | with slots 9x31 | 219000E19CE | 517000E01CE | 517000E02CE |
| | with slots 11x31 | 219000E21CE | 517000E03CE | 517000E04CE |

100



**BONDIOLI
& PAVESI**





The safety of the end user depends upon proper use and maintenance of the implement, tractor, and driveline, plus all related safety shielding. Information regarding correct driveline usage is included on the safety label and in the use and maintenance manual included with Bondioli & Pavesi drivelines. Safety labels and user's manuals in alternative languages are available to meet local requirements. If drivelines are to be used on ma-

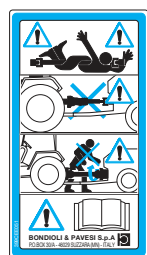
chines bound for export, contact Bondioli & Pavesi for labels and manuals. The manufacturer or purchaser must inform Bondioli & Pavesi when alternative labels or manuals are required. Read the driveline manual, and the operator's manual for the implement, before using the machine.

YOUR SAFETY DEPENDS UPON THIS INFORMATION.

PRIMARY DRIVELINES FOR EEC-EFTA COUNTRIES

The primary driveline (the one that connects the tractor to the machine) sold in ECC and EFTA countries have the CE mark, safety label

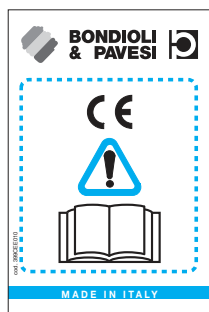
code 399CEE051 and 399143000, user manual code 399CEE010 and safety chains.



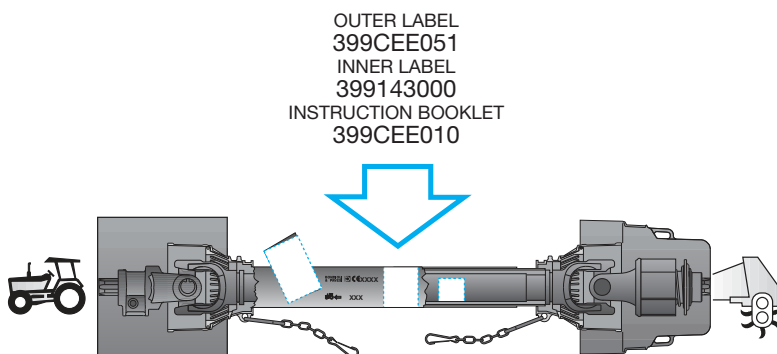
399CEE051



399143000



399CEE010



DRIVELINES FOR NORTH AMERICA (USA, Canada and Mexico)

Drivelines sold in North America (USA, Canada and Mexico) are equipped with safety labels code

399141000 and 399143000 and have the user's manual code 399USA010.



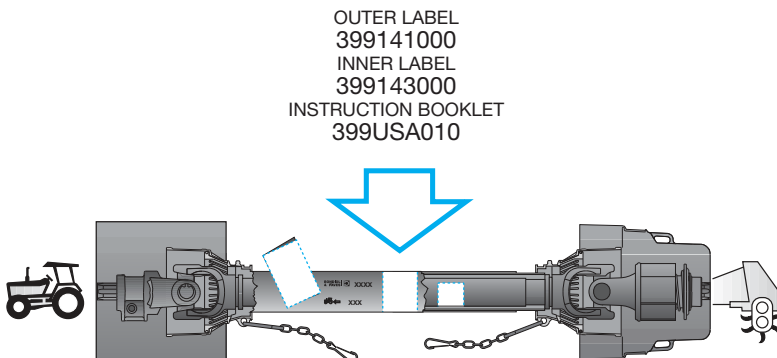
399141000



399143000



399USA010

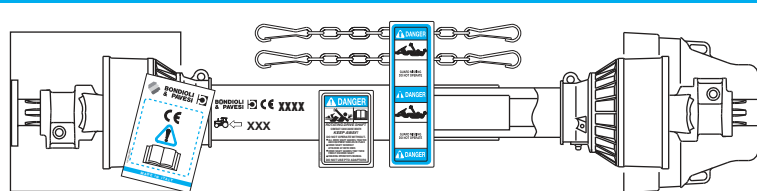


| Size | 540 min ⁻¹ Power Rating | | 1000 min ⁻¹ Power Rating | | 2 100-400 G-DG-GF For joints produced prior to 2005 | 2a 100-400 G-DG-GF For joints produced starting 2005 | CV JOINTS 80°/50° | 100-400 G-DG-GF |
|------|---------------------------------------|-----|--|-----|--|---|----------------------|--------------------|
| | kW | CV | kW | CV | | | | |
| 1 | 12 | 16 | 18 | 25 | A=22 B=54,0 | A=22 B=54 | --- | 62,8 |
| 2 | 15 | 21 | 23 | 31 | A=23,8 B=61,3 | A=23,8 B=61,3 | --- | 71,6 |
| 3 | 22 | 30 | 35 | 47 | A=27 B=70 | --- | --- | 79,5 |
| 4 | 26 | 35 | 40 | 55 | A=27 B=74,6 | A=27 B=74,6 | --- | 86 |
| 5 | 35 | 47 | 54 | 74 | A=30,2 B=79,4 | A=30,2 B=79,4 | --- | 92,9 |
| 6 | 47 | 64 | 74 | 100 | A=30,2 B=91,4 | A=30,2 B=91,4 | A=27 B=100 | 105,1 |
| 7 | 55 | 75 | 87 | 118 | A=35 B=93,5 | A=35 B=93,5 | --- | 108,5 |
| 8 | 70 | 95 | 110 | 150 | A=35 B=106 | A=35 B=106 | A=30,2 B=106 | 119,8 |
| 9 | 88 | 120 | 140 | 190 | A=41 B=108 | --- | --- | 119 |
| 10 | 106 | 145 | 170 | 230 | A=41 B=118 | --- | --- | 130,5 |


SIZE 3, 9, AND 10 ARE NOT AVAILABLE AS COMPLETE DRIVELINES - COMPONENT PARTS MAY BE AVAILABLE.

PACKAGE QUANTITIES: THE NUMBER FOLLOWING THE LETTER "R" IN THE CODE INDICATES THE NUMBER OF PIECES IN EACH PACK. FOR EXAMPLE, 341036000R10 INDICATES THAT EACH PACKAGE CONTAINS 10 ROLL PINS.

WARNING!

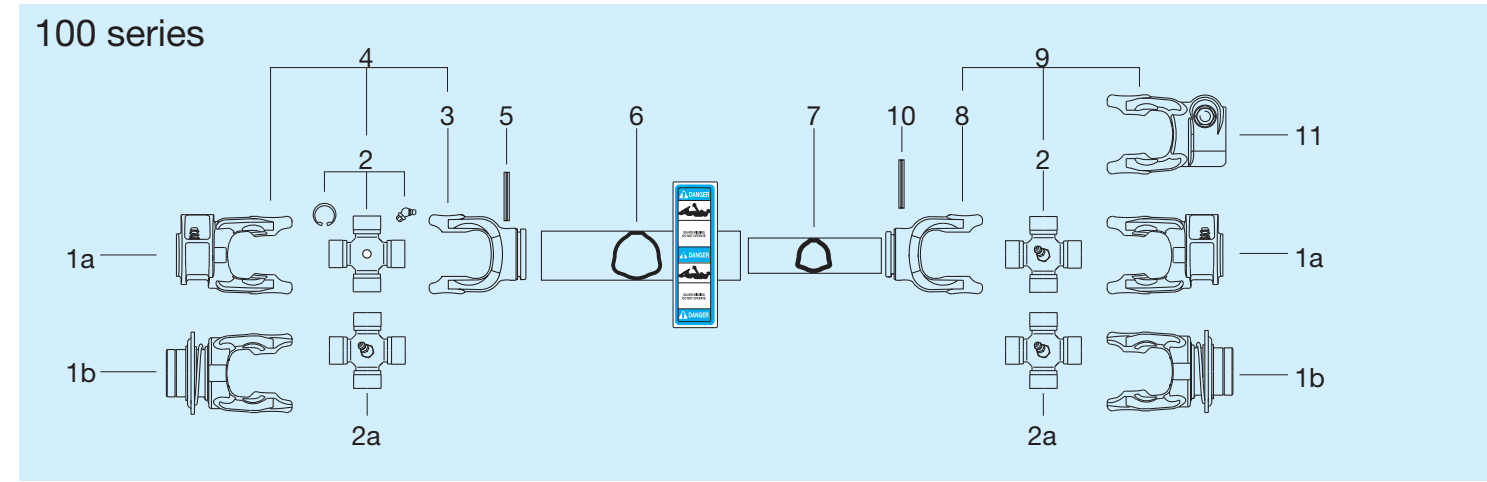


MACHINERY DIRECTIVE 2006/42/CEE
With reference to the above mentioned directives dated January 1, 1995, in the CEE and EFTA member states, primary drivelines placed on the market and put into service must meet the essential safety requirements and will bear the brand and declaration of conformity.



| 1a | 1b | 3 | 4 | 5 | 6 | 7 | 8 | 9 |
|------------|-----------|-----------------|----------------------|-------------------------|------------------|------------------|-----------------|----------------------|
| 1 3/8" Z6 | 1 3/8" Z6 | OUTER TUBE YOKE | JOINT FOR OUTER TUBE | ROLL PIN FOR OUTER TUBE | OUTER DRIVE TUBE | INNER DRIVE TUBE | INNER TUBE YOKE | JOINT FOR INNER TUBE |
| 5070B0355 | 5720B0355 | Ø 40 | 71G1049007 | 341036000R10 | A 2,6 - B 32,5 | A 4 - B 26,5 | Ø 34 | 71G1050007 |
| | | 204016851 | | | 125033000R06 | 125023000R06 | 204016852 | |
| 5070C0355 | 5720C0355 | Ø 47 | 71G2049007 | 341048000R10 | A 3,2 - B 36 | A 4 - B 29 | Ø 40 | 71G2050007 |
| | | 204026851 | | | 125053000R06 | 125043000R06 | 204026852 | |
| 572030351* | --- | 204036851 | 71G3049T07* | 341038000R10 | A 3,4 - B 43,5 | A 3,2 - B 36 | 204036852 | 71G3050S07* |
| 572030361* | --- | | | | 125083000R06 | 125053000R06 | | |
| 5070E0355 | 5720E0355 | Ø 53 | 71G4049007 | 341038000R10 | A 3,4 - B 43,5 | A 3,2 - B 36 | Ø 46 | 71G4050007 |
| | | 204046851 | | | 125083000R06 | 125053000R06 | 204046852 | |
| 5070E0355 | 5720E0355 | Ø 53 | 71G4049007 | 341038000R10 | A 3,4 - B 43,5 | A 4 - B 36 | Ø 46 | 71G4050007 |
| | | 204046851 | | | 125083000R06 | 125073000R06 | 204046852 | |
| 5070G0355 | 5720G0355 | Ø 62 | 71G5049007 | 341053000R10 | A 3 - B 51,5 | A 3,8 - B 45 | Ø 53 | 71G5050007 |
| | | 204056860 | | | 125103000R06 | 125973000R06 | 204056861 | |
| 5070H0355 | 5720H0355 | Ø 68 | 71G6049007 | 341042000R10 | A 4 - B 54 | A 4,2 - B 45 | Ø 59 | 71G6050007 |
| | | 204066851 | | | 125123000R06 | 125093000R06 | 204066852 | |
| 5070L0355 | 5720L0355 | Ø 68 | 71G7049007 | 341042000R10 | A 4 - B 54 | A 5,5 - B 45 | Ø 59 | 71G7050007 |
| | | 204176851 | | | 125123000R06 | 125113000R06 | 204176852 | |
| 5070M0355 | 5720M0351 | Ø 80 | 71G8049007 | 341054000R10 | A 4 - B 63 | A 4 - B 54 | Ø 68 | 71G8050007 |
| | | 204086860 | | | 125223000R06 | 125123000R06 | 204086861 | |
| 572090351* | --- | 204196851 | 71G9049T07* | 341054000R10 | A 4 - B 63 | A 5 - B 54 | 204196852 | 71G9050S07* |
| 572090361* | --- | | | | 125223000R06 | 125133000R06 | | |
| 572100351* | --- | 204106851 | 71G0049T07* | 341044000R10 | A 5,6 - B 66 | A 6 - B 54 | 204106852 | 71G0050S07* |
| 572100361* | --- | | | | 125153000R06 | 125143000R06 | | |

* Yokes in size 3, 9, and 10 are only available with RS Twist Collar connection.
The codes for the tubes reference the 3 meter lengths packaged in multiples of 6 pieces.

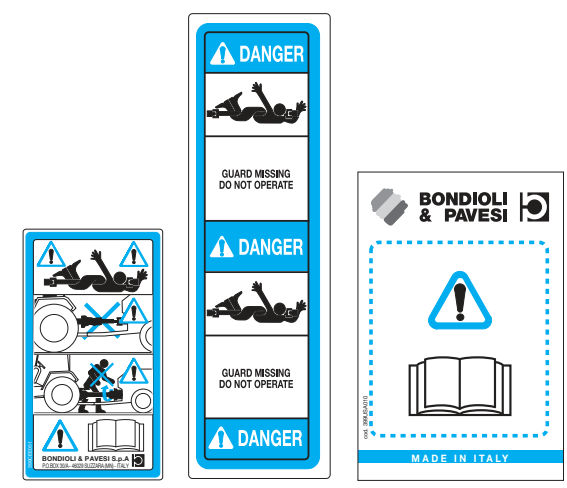


Guards removed for illustration purposes only. Make sure all driveline, tractor, and equipment shields are in place before operation.

NON-PRIMARY DRIVELINES FOR EEC/EFTA COUNTRIES AND DRIVELINES FOR NON-EEC/EFTA COUNTRIES

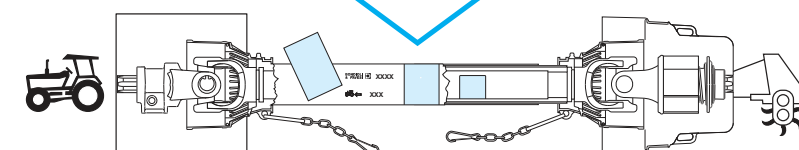
Drivelines internal to the machine or sold to non-EEC/EFTA countries do not require the CE mark. They are equipped with safety labels

code 399CEE051 and 399143000, and have the users manual code 399USA010.

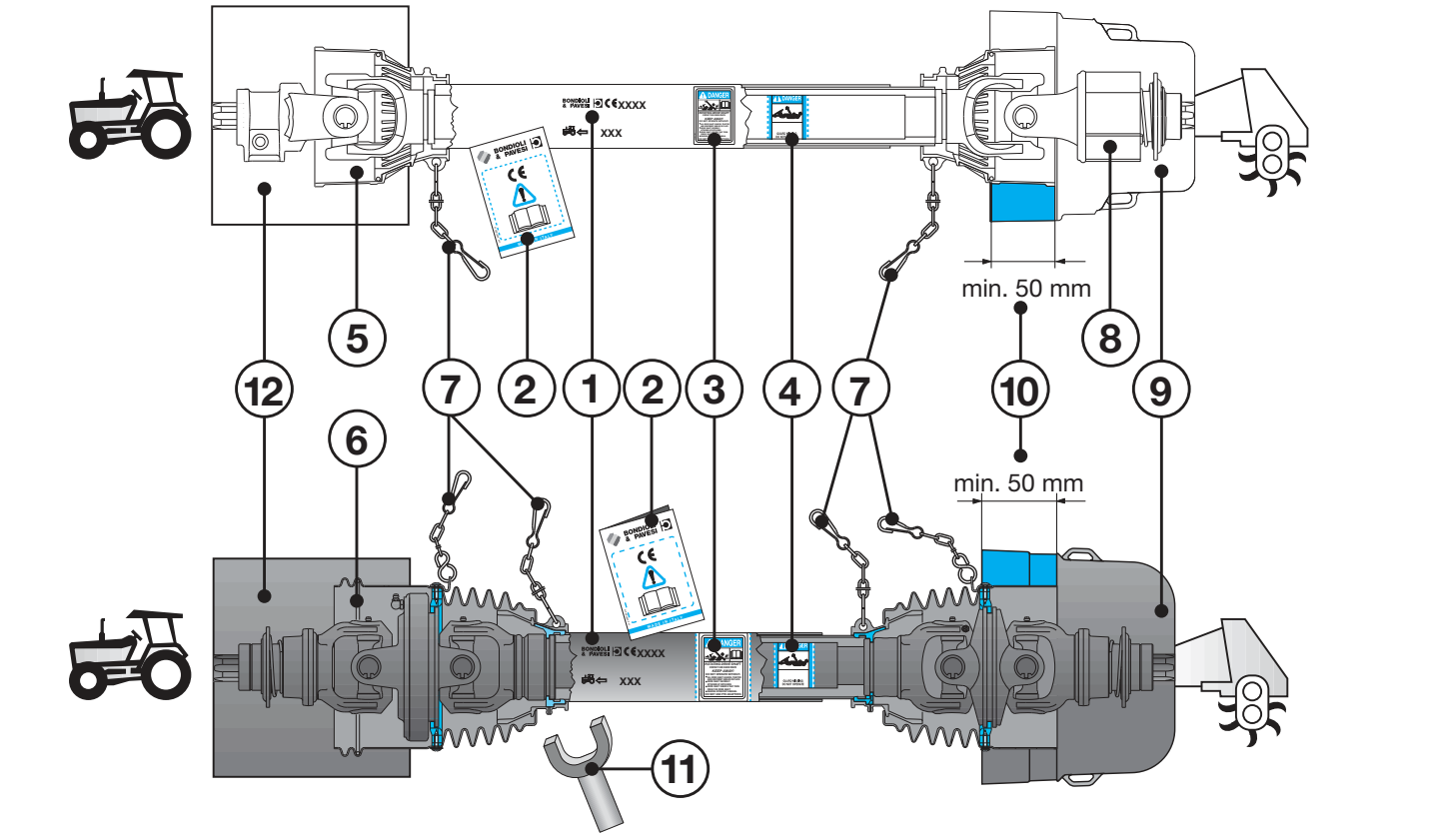


399CEE051 399143000 399USA010

OUTER LABEL 399CEE051
INNER LABEL 399143000
INSTRUCTION BOOKLET 399USA010

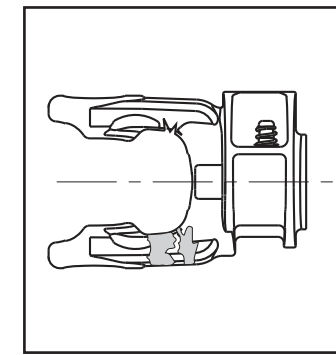
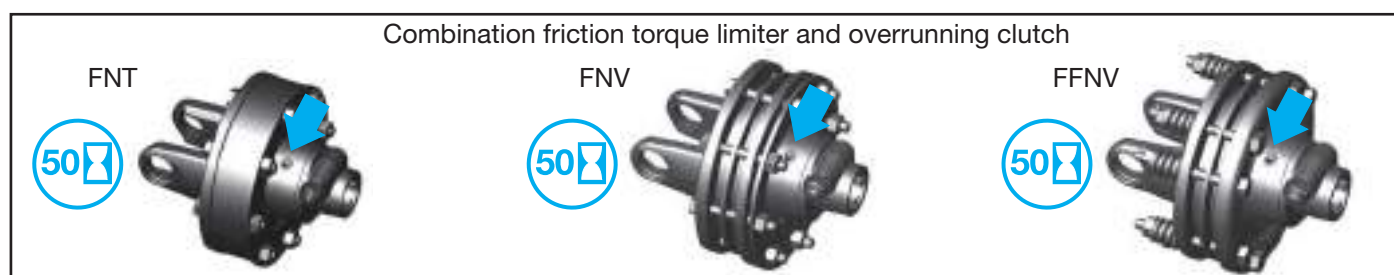
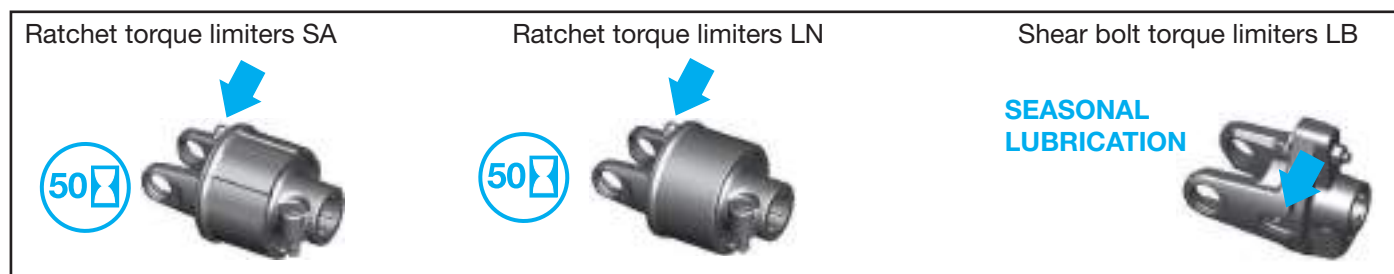
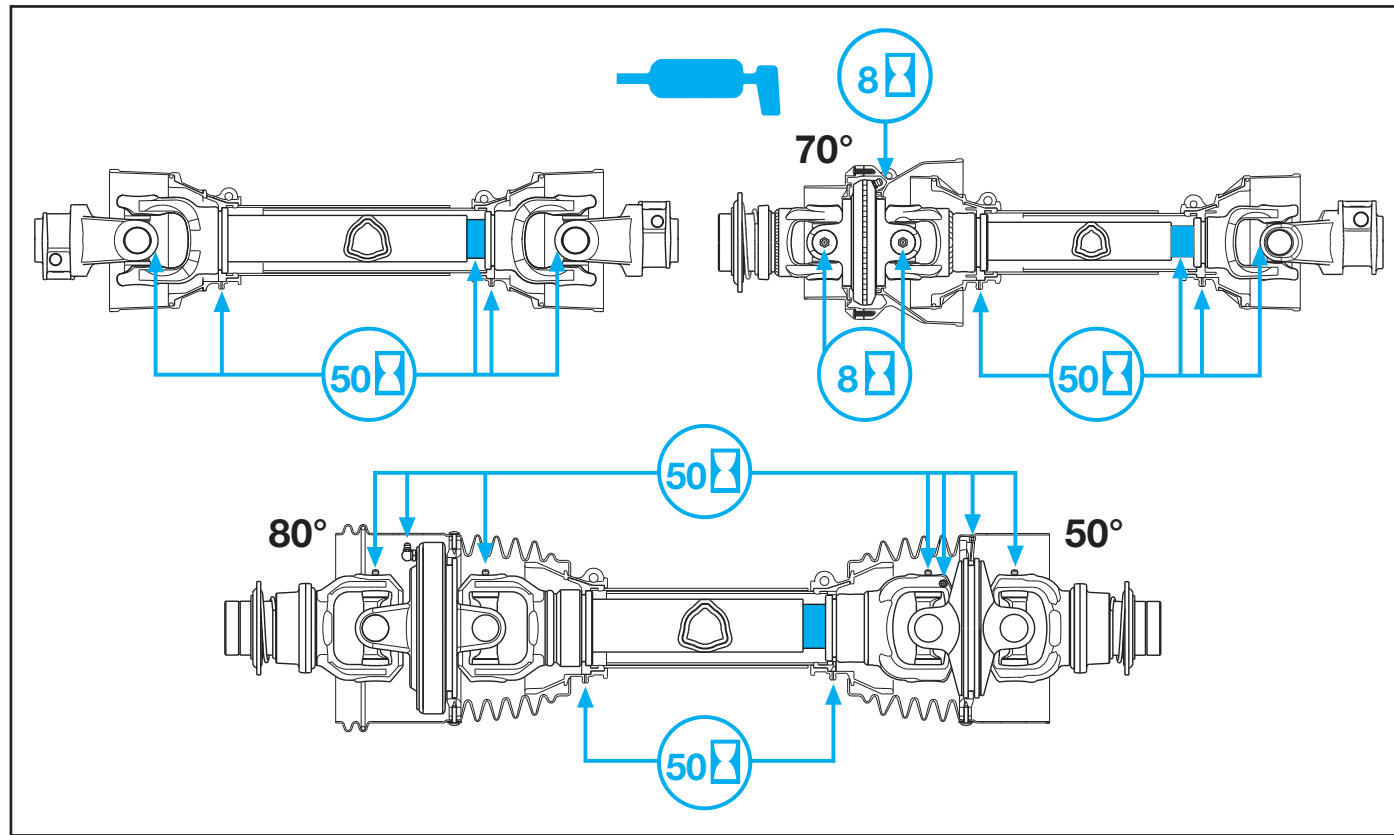


CE - SAFETY FEATURES



- | | | |
|--|--|--|
| 1 Driveline identification, CE mark | 5 Cone length at least to the end of the inboard joint | 9 The implement must provide PIC shielding |
| 2 Operating instructions, CE-Declaration of Conformity | 6 Cone length at least to the end of the outer joint | 10 Minimum overlap in straight position |
| 3 Safety label on shield tube | 7 Safety chains | 11 Support for the PTO drive shaft when the machine is uncoupled |
| 4 Safety label on telescoping members | 8 Torque limiters or overrunning clutch on the implement side only | 12 Tractor master shield |

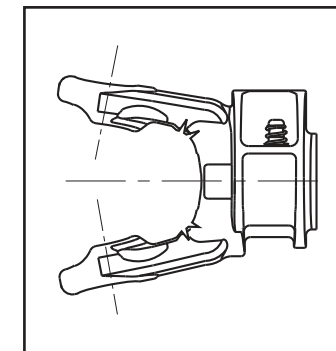
AFTER ANY MAINTENANCE OR REPAIR, ALWAYS REPLACE ALL GUARDS AND SHIELDS!



WEAR OF YOKE EARS

EXCESSIVE WORKING ANGLE

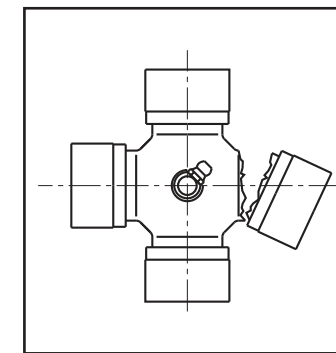
- Reduce working angle.
- Disengage PTO when joint angle exceeds 45°.



DEFORMATION OF YOKE EARS

EXCESSIVE TORQUE PEAK OR SHOCK LOAD

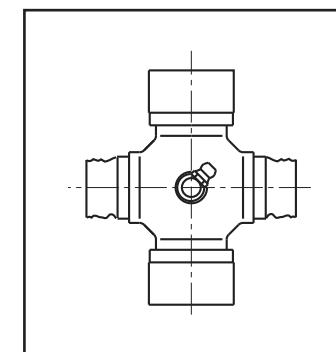
- Avoid overloading and engaging drive under load.
- Check function of torque limiter.



CROSS ARMS BROKEN

EXCESSIVE TORQUE PEAK OR SHOCK LOAD

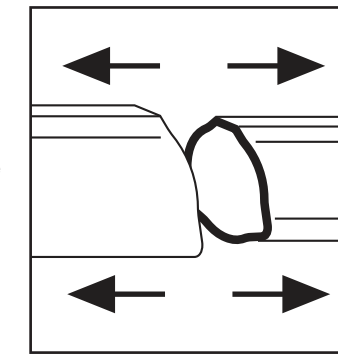
- Avoid overloading and engaging drive under load.
- Check function of torque limiter.



ACCELERATED WEAR OF CROSS ARMS

EXCESSIVE LOAD

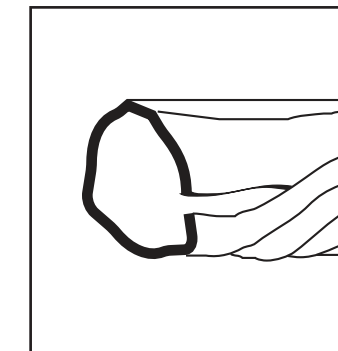
- Do not exceed the speed or power limits indicated in the instruction manual.
- INSUFFICIENT LUBRICATION
- Follow instructions in chapter "Lubrication and maintenance".



SEPARATION OF TELESCOPING TUBES

EXCESSIVE EXTENSION OF DRIVELINE

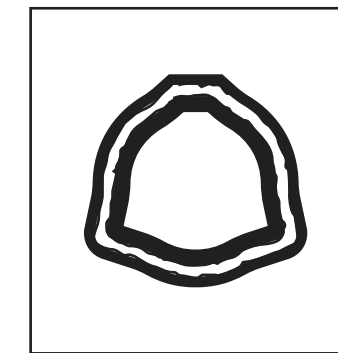
- Avoid excessive extension of driveline.
- For stationary machinery: position the tractor so that the telescoping tubes overlap as illustrated in chapter "Working conditions".
- Check extension of drawbar hitch according to the instruction manual.



DEFORMATION OF TELESCOPING TUBES

EXCESSIVE TORQUE PEAK OR SHOCK LOAD

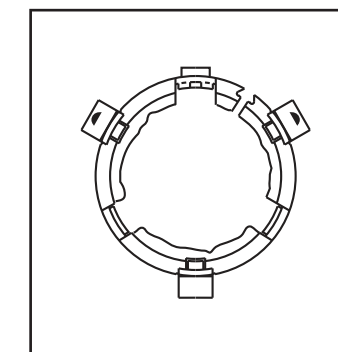
- Avoid overloading and engaging drive under load.
- Check functioning of torque limiter.
- Check that driveline does not come into contact with tractor or implement components during movement.



ACCELERATED WEAR OF TELESCOPING TUBES

INSUFFICIENT LUBRICATION

- Follow instructions in chapter "Lubrication Intervals."
- INSUFFICIENT TUBE OVERLAP
- Follow instruction in chapter "Safety and working conditions."



ACCELERATED WEAR OF SHIELD BEARING

INSUFFICIENT LUBRICATION

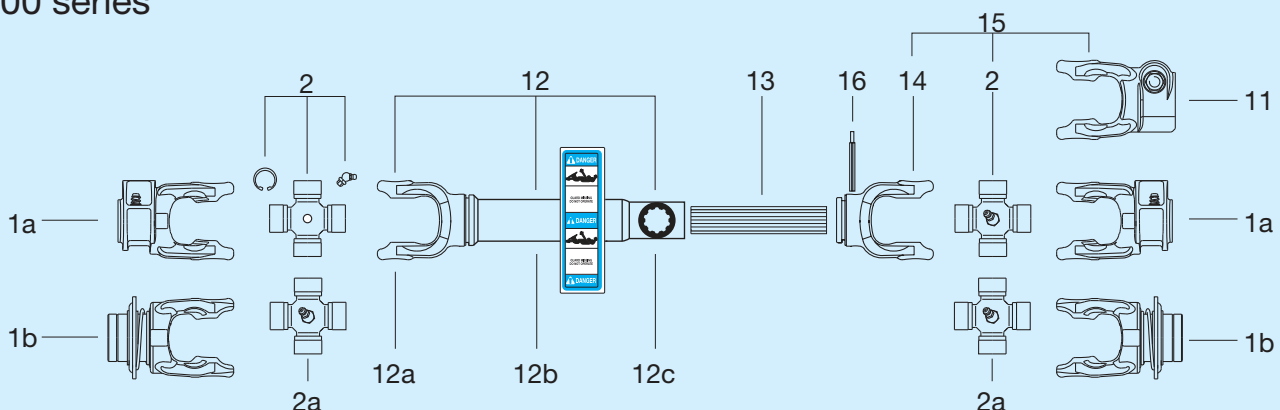
- Follow instructions in chapter "Lubrication intervals."

| 10 | 12* | 12a | 12b** | 12c | 13** | 14 | 15 | 16 |
|-------------------------|--------------------------------|----------------------|------------|----------------|--------------------------|--------------------|-----------------------|--------------------------|
| ROLL PIN FOR INNER TUBE | YOKE & SPLINED SLEEVE ASSEMBLY | WELD YOKE ROUND TUBE | ROUND TUBE | SPLINED SLEEVE | SPLINED BAR | INNER YOKE SPLINED | JOINT FOR SPLINED BAR | ROLL PIN FOR SPLINED BAR |
| 341037000R10 | --- | 204015353 | 13678.... | 226003101R05 | Ø 25 - Z 10 24915.... | --- | 71G1059007 | --- |
| 341036000R10 | --- | 204025353 | 13678.... | 226003101R05 | Ø 25 - Z 10 24915.... | --- | 71G2059007 | --- |
| 341048000R10 | --- | 204035353 | 13679.... | 226003201R05 | Ø 30 - Z 10 24917.... | --- | 71G3059S07* | --- |
| 341048000R10 | --- | --- | --- | --- | --- | --- | --- | --- |
| 341048000R10 | 569B40720 | 204045353 | 13679.... | 226003201R05 | Ø 30 - Z 10 24917.... | Ø 46 204043251 | 71G4059007 | 345013000R10 |
| 341002000R10 | 569B50710 | 204055353 | 13680.... | 226003301R05 | Ø 35 - Z 12 24911.... | Ø 53 204053361 | 71G5059007 | 345012000R10 |
| 341043000R10 | 569B60700 | 204065352 | 13680.... | 226003301R05 | Ø 35 - Z 12 24911.... | Ø 59 204063361 | 71G6059007 | 345001000R10 |
| 341043000R10 | 569B70700 | 204175351 | 13681.... | 226003401R05 | Ø 40 - Z 14 24921.... | Ø 59 204173451 | 71G7059007 | 345001000R10 |
| 341055000R10 | 569B80690 | 204085361 | 13681.... | 226003401R05 | Ø 40 - Z 14 24921.... | Ø 68 204083460 | 71G8059007 | 345002000R10 |
| 341055000R10 | --- | 204195351 | --- | --- | --- | --- | 71G9059S07* | --- |
| 341045000R10 | --- | 204105351 | --- | --- | --- | --- | 71G0059S07* | --- |

* Code refers to a length of 810 mm (081 code)

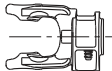
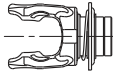

** Complete the code with the length expressed in millimeters.

400 series



Guards removed for illustration purposes only. Make sure all driveline, tractor, and equipment shields are in place before operation.

Yokes for cardan joints

| 1a | | 1b | | 11 | | | |
|---|------------|---|------------|---|------------|-----------|------------|
|  | |  | |  | | | |
| 1 3/8" Z21 | 1 3/8" Z21 | 1 3/4" Z6 | 1 3/4" Z20 | 1 3/8" Z6 | 1 3/8" Z21 | 1 3/4" Z6 | 1 3/4" Z20 |
| 5070B3755 | 5720B3776 | --- | --- | --- | --- | --- | --- |
| 5070C3755 | 5720C3776 | --- | --- | --- | --- | --- | --- |
| 572033751* | --- | --- | --- | --- | --- | --- | --- |
| 572033761* | --- | --- | --- | --- | --- | --- | --- |
| 5070E3755 | 5720E3755 | --- | --- | 5090E0360 | 5090E3760 | --- | --- |
| 5070E3755 | 5720E3755 | --- | --- | 5090E0360 | 5090G3760 | --- | --- |
| 5070G3755 | 5720G3755 | 5720G0455 | 5720G3855 | 5090G0360 | 5090H3760 | 5090G0460 | 5090G3860 |
| 5070H3755 | 5720H3755 | 5720H0455 | 5720H3855 | 5090H0360 | 5090H3760 | 5090H0460 | 5090H3860 |
| 5070L3755 | 5720L3755 | 5720L0455 | 5720L3855 | 5090L0360 | 5090L3760 | 5090L0460 | 5090L3860 |
| 5070M3755 | 5720M3751 | 5720M0451 | 5720M3851 | 5090M0360 | 5090M3760 | 5090M0460 | 5090M3860 |
| 572093751* | --- | --- | --- | --- | --- | --- | --- |
| 572093761* | --- | --- | --- | --- | --- | --- | --- |
| 572103751* | --- | --- | --- | --- | --- | --- | --- |
| 572103761* | --- | --- | --- | --- | --- | --- | --- |

*Yokes in size 3, 9, and 10 are only available with RS Twist Collar connection.

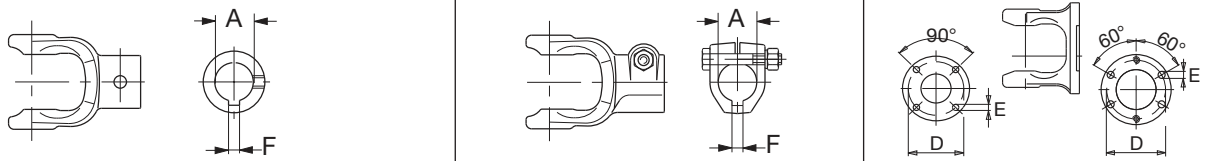
Quick disconnect (QD) pins

| | 1 - 2 | 3 | 43 - 4 | 5 | 6 | 7 | 8 | 9 - 10 |
|------------|--------------|--------------|--------------|--------------|--------------|--------------|--------------|--------------|
| 1 3/8" Z6 | 403000021R10 | 403000001R10 | 403000001R10 | 403000001R10 | 403000001R10 | 403000032R10 | 403000032R10 | 403000013R10 |
| 1 3/8" Z21 | 403000021R10 | 403000001R10 | 403000001R10 | 403000001R10 | 403000001R10 | 403000032R10 | 403000032R10 | 403000013R10 |
| 1 3/4" Z6 | --- | --- | --- | --- | --- | --- | --- | 403000012R10 |
| 1 3/4" Z20 | --- | --- | --- | --- | --- | --- | --- | 403000012R10 |

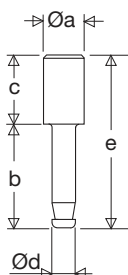
Taper pin kits

Use pin that fits completely into hub. Discard other pins and nut.
Use tapered nut ONLY with pin (C) and yoke with counter-sunk hole.

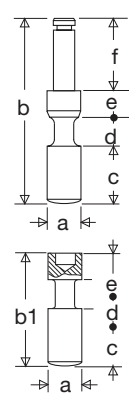
| | 1 - 2 | 3 | 43 - 4 | 5 | 6 | 7 | 8 | 9 - 10 |
|------------|-------|-----------|------------|------------|------------|------------|------------|-----------|
| 1 3/8" Z6 | --- | 408000060 | 408000075R | 408000075R | 408000075R | 408000075R | 408000075R | 408000060 |
| 1 3/8" Z21 | --- | 408000060 | 408000075R | 408000075R | 408000075R | 408000075R | 408000075R | 408000060 |
| 1 3/4" Z6 | --- | --- | --- | 408000076R | 408000076R | 408000076R | 408000076R | 408000061 |
| 1 3/4" Z20 | --- | --- | --- | 408000076R | 408000076R | 408000076R | 408000076R | 408000061 |



| (053) | (054) | (055) | (035) | (036) | (090) |
|------------|------------|-------------|------------|-------------|------------------|
| A 25 - F 8 | A 30 - F 8 | --- | A 30 - F 8 | --- | D 74,5 - E 8,5 |
| 2120B6155 | 2120B6255 | --- | 509016252 | --- | 221017153 |
| A 25 - F 8 | A 30 - F 8 | --- | A 30 - F 8 | --- | D 74,5 - E 8,5 |
| 2120C6155 | 2120C6255 | --- | 509026252 | --- | 221027153 |
| A 25 - F 8 | A 30 - F 8 | A 35 - F 10 | A 30 - F 8 | A 35 - F 10 | D 84 - E 10,5 |
| 212036151 | 212036251 | 212036351 | 509036252 | 509036352 | 221037153 |
| --- | A 30 - F 8 | A 35 - F 10 | A 30 - F 8 | A 35 - F 10 | D 84 - E 10,5 |
| --- | 2120E6255 | 212046351 | 509046252 | 509046352 | 221047153 |
| --- | A 30 - F 8 | A 35 - F 10 | A 30 - F 8 | A 35 - F 10 | D 84 - E 10,5 |
| --- | 2120E6255 | 212046351 | 509046252 | 509046352 | 221047153 |
| --- | --- | --- | --- | A 35 - F 10 | D 94 - E 10,5 |
| --- | --- | --- | --- | 509056352 | 221057153 |
| --- | --- | --- | --- | A 35 - F 10 | D 101,5 - E 12,5 |
| --- | --- | --- | --- | 509066352 | 221067153 |
| --- | --- | --- | --- | --- | D 120 - E 15 |
| --- | --- | --- | --- | --- | 221177151 |
| --- | --- | --- | --- | --- | D 120 - E 15 |
| --- | --- | --- | --- | --- | 221087153 |
| --- | --- | --- | --- | --- | D 150 - E 17 |
| --- | --- | --- | --- | --- | 221197151 |
| --- | --- | --- | --- | --- | D 150 - E 17 |
| --- | --- | --- | --- | --- | 221107151 |



| Øa | b | c | e | Ød | Code |
|-------|------|------|------|-----|--------------|
| 13,85 | 14,2 | 23 | 37,2 | 8 | 403000020R10 |
| 13,85 | 20 | 27 | 47 | 8 | 403000001R10 |
| 13,85 | 27 | 27 | 54 | 8 | 403000009R10 |
| 13,85 | 27 | 38,5 | 65,5 | 8 | 403000002R10 |
| 13,85 | 29 | 37,5 | 66,5 | 8 | 403000010R10 |
| 15,85 | 28 | 29,5 | 57,5 | 8 | 403000008R10 |
| 15,85 | 25 | 35 | 60 | 8 | 403000012R10 |
| 15,85 | 30,5 | 38 | 68,5 | 8 | 403000011R10 |
| --- | --- | --- | --- | --- | --- |
| --- | --- | --- | --- | --- | --- |
| --- | --- | --- | --- | --- | --- |
| --- | --- | --- | --- | --- | --- |
| --- | --- | --- | --- | --- | --- |

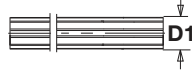
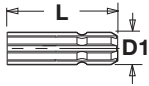


| Øa | b/b1 | c | d | e | f | Code |
|-------|------|------|------|------|------|--------------|
| 13,85 | 74,5 | 22 | 12 | 11 | 29,5 | 401000001R10 |
| 13,85 | 74,5 | 21 | 14,5 | 10 | 29 | 401000002R10 |
| 13,85 | 79,5 | 22 | 12 | 11 | 34,5 | 401000006R10 |
| 13,85 | 81 | 20 | 22,5 | 10 | 28,5 | 401000009R10 |
| 13,85 | 91,5 | 27 | 22,5 | 10 | 32 | 401000028R10 |
| 13,85 | 91,5 | 33 | 13 | 13,5 | 32 | 401000033R10 |
| 15,85 | 83,5 | 23,5 | 22 | 9,5 | 28,5 | 401000007R10 |
| 15,85 | 83,5 | 26 | 14,5 | 13 | 30 | 401000021R10 |
| 15,85 | 87 | 25 | 15 | 14 | 33 | 401000010R10 |
| 15,85 | 94,5 | 32 | 15,5 | 13,5 | 33,5 | 401000026R10 |
| 15,85 | 94,5 | 30 | 22 | 9,5 | 33 | 401000037R10 |
| 12,85 | 35 | 11 | 11 | 13 | --- | 401000003R10 |
| 12,85 | 37,5 | 13 | 11,5 | 13 | --- | 401000011R10 |

Ball collar repair kits



| | 1 | 2 | 43 - 4 | 5 | 6 | 7 | 8 |
|-------------------|------------|------------|------------|------------|------------|------------|------------|
| 1 3/8" Z6 | 435000320R | 435000320R | 435000321R | 435000321R | 435000321R | 435000322R | 435000332R |
| 1 3/8" Z21 | 435000300R | 435000300R | 435000321R | 435000321R | 435000321R | 435000322R | 435000332R |
| 1 3/4" Z6 | --- | --- | --- | 435000418R | 435000418R | 435000419R | 435000425R |
| 1 3/4" Z20 | --- | --- | --- | 435000418R | 435000418R | 435000419R | 435000425R |



| | | L | | * | | | L |
|------------------|--------------|----------|------------------|-----------|------------------|--------------|----------|
| 1 1/8" Z6 | 262000106R02 | 90 | 1 1/8" Z6 | 14931.... | 1 1/8" Z6 | 226000105R05 | 80 |
| 1 3/8" Z6 | 262000345R02 | 90 | 1 3/8" Z6 | 14933.... | 1 1/8" Z6 | 226000106R05 | 100 |
| 1 3/4" Z6 | 262000415R02 | 90 | 1 3/4" Z6 | 14934.... | 1 3/8" Z6 | 226000305R05 | 80 |
| | --- | --- | | --- | 1 3/8" Z6 | 226000306R05 | 100 |
| | --- | --- | | --- | 1 3/8" Z6 | 226000327R05 | 130 |
| | --- | --- | | --- | 1 3/4" Z6 | 226000405R05 | 80 |
| | --- | --- | | --- | 1 3/4" Z6 | 226000406R05 | 100 |

* Complete the code with the length in mm.

SERIES OUT OF PRODUCTION - ONLY AVAILABLE AS SPARE PARTS

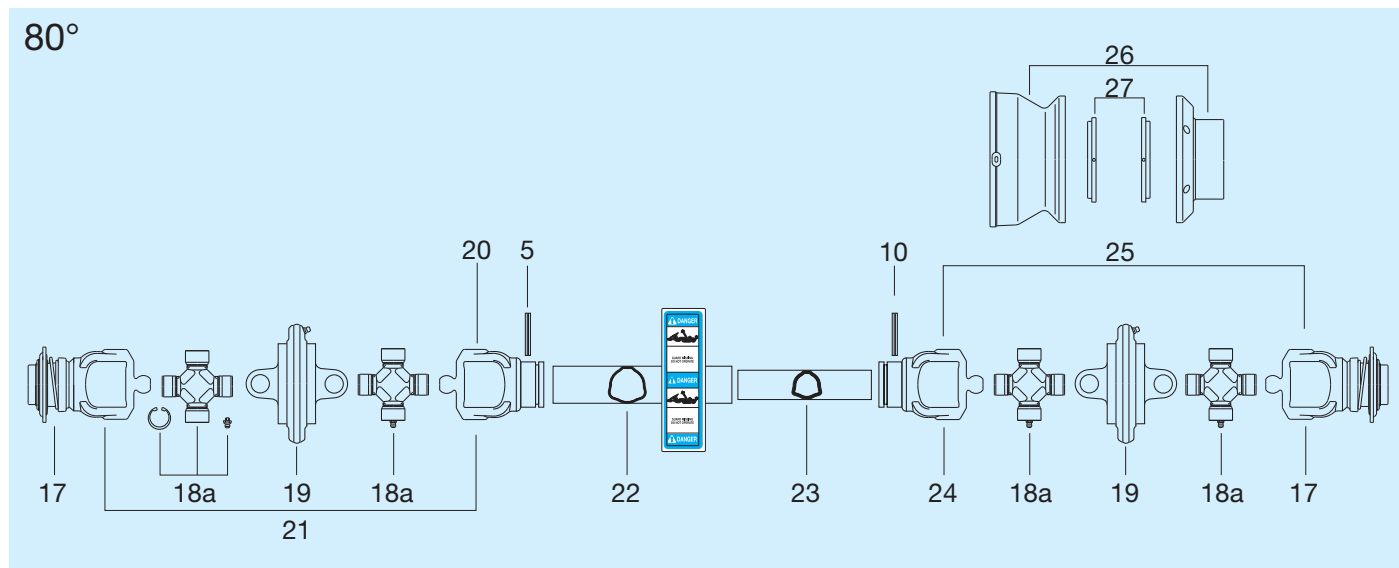
650 - 660 - 670 series CV joint driveshaft components

100

| 17 | | 18a | | 19 | 20 | 24 | 21 | 25 | 22 | 23 | 26 | 27 |
|-----------|------------|-----------------|-----|-----------|--------------------|--------------------|----------------------|----------------------|------------------|---------------------------|------------------------------|-------------------------|
| | | | | | | | | | | | | |
| 1 3/8" Z6 | 1 3/8" Z21 | | | CV BODY | CV OUTER TUBE YOKE | CV INNER TUBE YOKE | JOINT FOR OUTER TUBE | JOINT FOR INNER TUBE | OUTER DRIVE TUBE | INNER DRIVE TUBE - RILSAN | HARDSHELL CONE WITH BEARINGS | HARDSHELL BEARING RINGS |
| --- | --- | --- | --- | --- | --- | --- | --- | --- | --- | --- | --- | --- |
| Ø1 18 | Ø1 18 | A 23,8 - B 61,3 | | 512020051 | Ø 47 Ø1 18 | Ø 40 Ø1 18 | 7G52049R07 | 7G52050R07 | A 2,9 - B 36 | A 4,3 - B 29,6 | 517027002 | 255020402 |
| 573020379 | 573023764 | 412020003 | | | 208026873 | 208026874 | | | 125183000R06 | 245043000R06 | | |
| --- | --- | --- | --- | --- | --- | --- | --- | --- | --- | --- | --- | --- |
| --- | --- | --- | --- | --- | --- | --- | --- | --- | --- | --- | --- | --- |
| Ø1 24 | Ø1 24 | A 23,8 - B 86 | | 511040051 | Ø 53 Ø1 24 | Ø 46 Ø1 24 | 7G54049T07 | 7G54050S07 | A 3,1 - B 43,5 | A 4,8 - B 36,6 | 517048001 | 255040351 |
| 573040382 | 573043775 | 412040012 | | | 215046873 | 215046874 | | | 125163000R06 | 245103000R06 | | |
| --- | --- | --- | --- | --- | --- | --- | --- | --- | --- | --- | --- | --- |
| --- | --- | --- | --- | --- | --- | --- | --- | --- | --- | --- | --- | --- |
| Ø1 26 | Ø1 26 | A 30,2 - B 99,4 | | 511060051 | Ø 68 Ø1 26 | Ø 59 Ø1 26 | 7G56049T07 | 7G56050S07 | A 3,7 - B 54 | A 4,3 - B 45,6 | 517068001 | 255060351 |
| 573060399 | 573063781 | 412060012 | | | 215066872 | 215066871 | | | 125173000R06 | 245163000R06 | | |
| --- | --- | --- | --- | --- | --- | --- | --- | --- | --- | --- | --- | --- |
| --- | --- | --- | --- | --- | --- | --- | --- | --- | --- | --- | --- | --- |
| Ø1 28 | Ø1 28 | A 35 - B 106 | | 511080051 | Ø 80 Ø1 28 | Ø 68 Ø1 28 | 7G58049T07 | 7G58050S07 | A 3,7 - B 63 | A 4,3 - B 54,6 | 517088001 | 255080351 |
| 573080399 | 573083799 | 412080012 | | | 215086870 | 215086869 | | | 125213000R06 | 245693000R06 | | |

650 SERIES CV DRIVELINES IN SIZES 4, 6, AND 8 ARE NO LONGER IN PRODUCTION - AVAILABLE ONLY AS COMPONENT PARTS.

The codes for the tubes reference the 3 meter lengths packaged in multiples of 6 pieces.

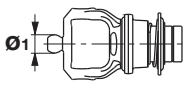
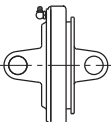
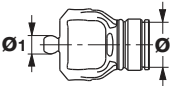
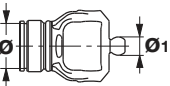
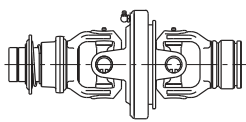




Guards removed for illustration purposes only. Make sure all driveline, tractor, and equipment shields are in place before operation.

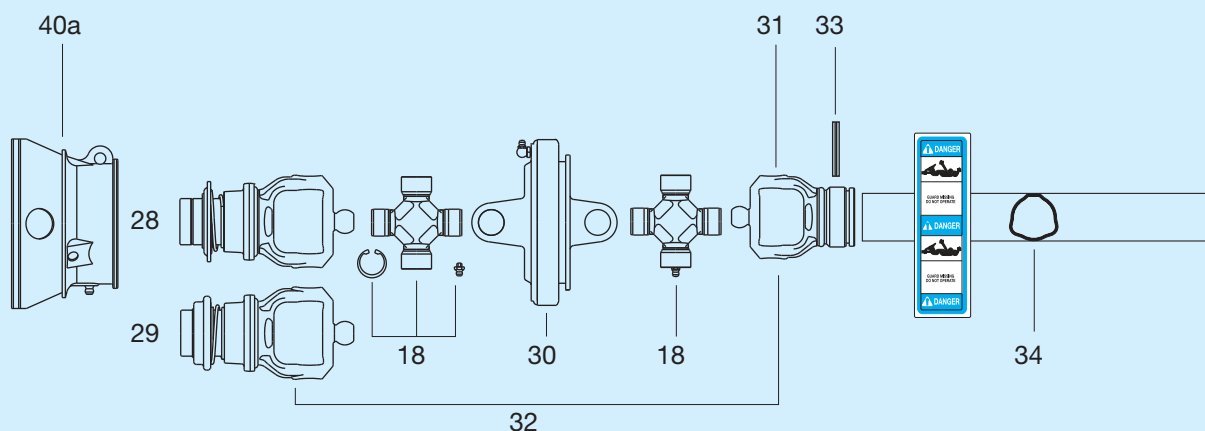
This page is intentionally blank

100 Series 80° EL CV joint driveshafts

100

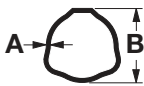


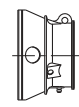
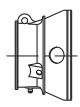
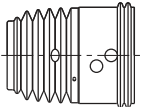
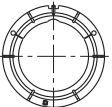
| 28 | 30 | 31 | 36 | 32 | 38 | 33 |
|--|---|---|---|--|---|---|
|  |  |  |  |  |  |  |
| 1 3/8" Z6 | CV BODY | CV OUTER TUBE YOKE | CV INNER TUBE YOKE | JOINT FOR OUTER TUBE | JOINT FOR INNER TUBE | ROLL PIN FOR OUTER TUBE |
| --- | --- | --- | --- | --- | --- | --- |
| Ø1 21 5730C0377 | 5110C0053 | Ø1 21 2150C6864 | Ø1 21 2150C6865 | --- | --- | 341048000R10 |
| --- | --- | --- | --- | --- | --- | --- |
| --- | --- | --- | --- | --- | --- | --- |
| Ø1 24 5730E0384 | 5110E0052 | Ø 53 Ø1 24 2150E6885 | Ø 46 Ø1 24 2150E6887 | 71G4W49WR7 | 71G4W50WR7 | 341038000R10 |
| --- | --- | --- | --- | --- | --- | --- |
| Ø1 28 5730G0384 | 5110G0061 | Ø 68 Ø1 28 2150G6885 | Ø 59 Ø1 28 2150G6887 | 71G6W49WR7 | 71G6W50WR7 | 341042000R10 |
| --- | --- | --- | --- | --- | --- | --- |
| Ø1 34 5730L0384 | 5110L0063 | Ø 80 Ø1 34 2150L6873 | Ø 68 Ø1 34 2150L6874 | 71G8W49WR7 | 71G8W50WR7 | 341054000R10 |

80°

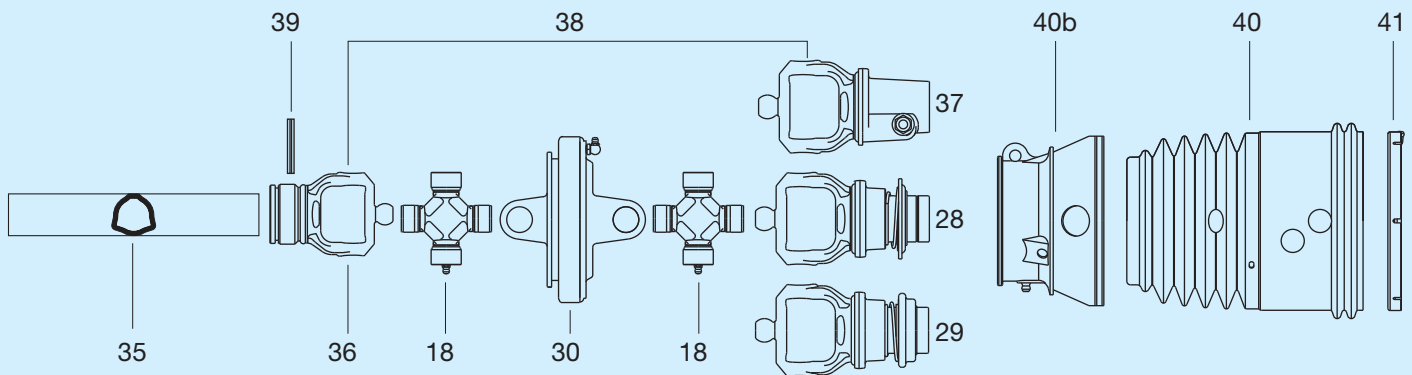


Guards removed for illustration purposes only. Make sure all driveline, tractor, and equipment shields are in place before operation.

SERIES OUT OF PRODUCTION - ONLY AVAILABLE AS SPARE PARTS
100 100 Series 80° EL CV joint driveshafts

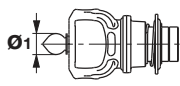
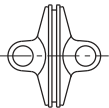

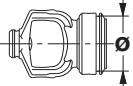
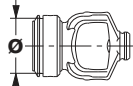
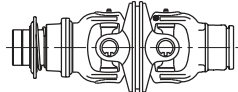
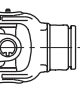

| 34 | 35* | 39 | 40a | 40b | 40 | 41 |
|---|---|---|---|--|---|---|
|  |  |  |  |  |  |  |
| OUTER TUBE | INNER DRIVE TUBE - RILSAN | ROLL PIN FOR INNER TUBE | CONE FOR OUTER TUBE | CONE FOR INNER TUBE | SHIELD CONE | CV SHIELD CONE BEARING RING |
| --- | --- | --- | --- | --- | --- | --- |
| --- | --- | --- | --- | --- | --- | --- |
| --- | --- | --- | --- | --- | --- | --- |
| --- | --- | --- | --- | --- | --- | --- |
| A 3,1 - B 43,5 125163000R06 | A 4,3 - B 36,6 245103000R06 | 341048000R10 | 254040020 | 254040021 | 2190E0127 | 2550E0005R02 |
| --- | --- | --- | --- | --- | --- | --- |
| A 3,7 - B 54 125173000R06 | A 4,5 - B 45,6 245163000R06 | 341053000R10 | 254060020 | 254060021 | 2190G0150 | 2550G0024R02 |
| --- | --- | --- | --- | --- | --- | --- |
| A 3,7 - B 54 125173000R06 | A 5,8 - B 45,6 245393000R06 | 341054000R10 | 254080033 | 254080034 | 517080200 | 2550L0023R02 |

The codes for the tubes reference the 3 meter lengths packaged in multiples of 6 pieces.

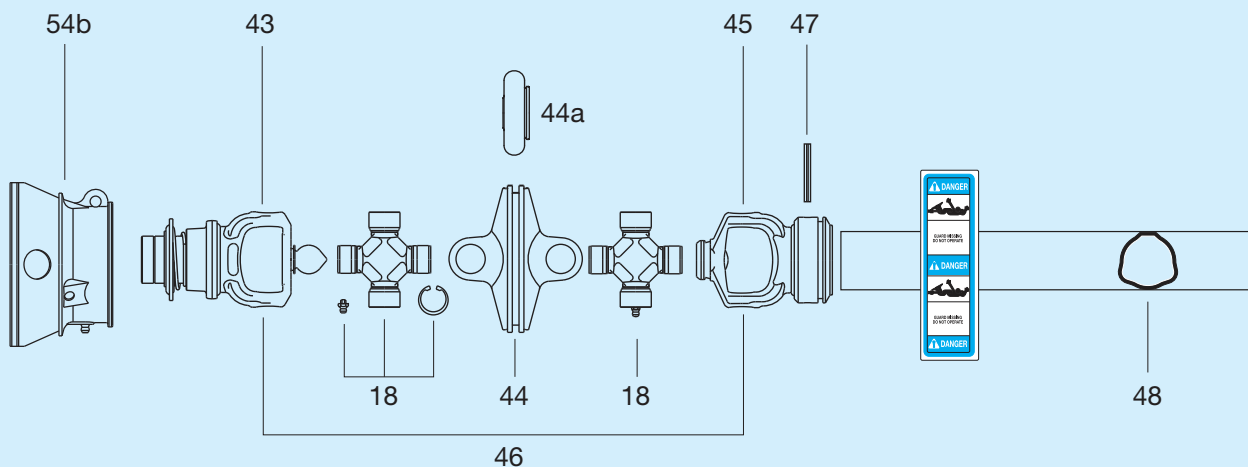


100 Series 50° CV joint driveshafts

100

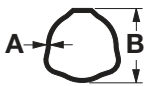


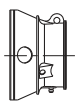
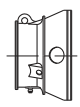
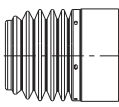
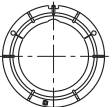
| 43 | 44 | 44a | 45 | 50 | 46 | 52 | 47 |
|---|---|---|---|---|---|---|---|
|  |  |  |  |  |  |  |  |
| 1 3/8" Z6 | CV BODY | RUBBER BOOT | OUTER TUBE YOKE | INNER TUBE YOKE | JOINT FOR OUTER TUBE | JOINT FOR INNER TUBE | ROLL PIN FOR OUTER TUBE |
| --- | --- | --- | --- | --- | --- | --- | --- |
| --- | --- | --- | --- | --- | --- | --- | --- |
| --- | --- | --- | --- | --- | --- | --- | --- |
| --- | --- | --- | --- | --- | --- | --- | --- |
| --- | --- | --- | --- | --- | --- | --- | --- |
| --- | --- | --- | --- | --- | --- | --- | --- |
| Ø1 29 5730E0353 | 2080E0055 | 246000101 | Ø1 53 2080E6876 | Ø1 46 2080E6875 | 71G4K49KR7 | 71G4K50KR7 | 341038000R10 |
| --- | --- | --- | --- | --- | --- | --- | --- |
| Ø1 33 5730G0353 | 2080G0064 | 246000116 | Ø1 68 2080G6885 | Ø1 59 2080G6887 | 71G6K49KR7 | 71G6K50KR7 | 341042000R10 |
| --- | --- | --- | --- | --- | --- | --- | --- |
| Ø1 33 5730L0353 | 2080L0064 | 246000116 | Ø1 80 2080L6864 | Ø1 68 2080L6865 | 71G8K49KR7 | 71G8K50KR7 | 341054000R10 |

50°

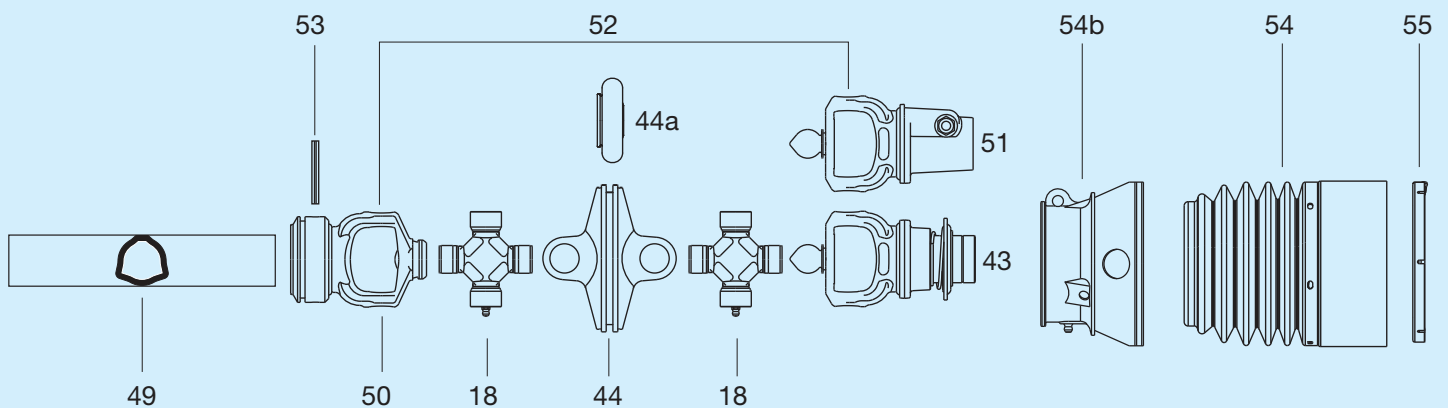


Guards removed for illustration purposes only. Make sure all driveline, tractor, and equipment shields are in place before operation.

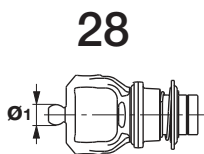
SERIES OUT OF PRODUCTION - ONLY AVAILABLE AS SPARE PARTS
100 100 Series 50° CV joint driveshafts

| 48  OUTER TUBE | 49  INNER TUBE | 53  ROLL PIN FOR INNER TUBE | 54a  CONE FOR OUTER TUBE | 54b  CONE FOR INNER TUBE | 54  SHIELD CONE | 55  CV SHIELD CONE BEARING RING |
|---|---|--|---|--|--|--|
| --- | --- | --- | --- | --- | --- | --- |
| --- | --- | --- | --- | --- | --- | --- |
| --- | --- | --- | --- | --- | --- | --- |
| --- | --- | --- | --- | --- | --- | --- |
| A 3,4 - B 43,5 125083000R06 | A 4 - B 36 125073000R06 | 341048000R10 | 254040020 | 254040021 | 2190E0126 | 2550E0005R02 |
| --- | --- | --- | --- | --- | --- | --- |
| A 4 - B 54 125123000R06 | A 4,2 - B 45 125093000R06 | 341053000R10 | 254060020 | 254060021 | 2190G0153 | 2550G0024R02 |
| --- | --- | --- | --- | --- | --- | --- |
| A 4 - B 54 125123000R06 | A 5,5 - B 45 125113000R06 | 341054000R10 | 254080033 | 254080034 | 2190L0123 | 2550L0023R02 |

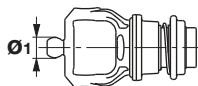
The codes for the tubes reference the 3 meter lengths packaged in multiples of 6 pieces.



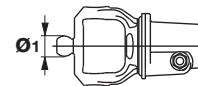
Yokes for 80° EL CV



28



29



37

| 28 | | | 29 | | | | 37 | | | |
|------------|-----------|------------|-----------|------------|-----------|------------|-----------|------------|-----------|------------|
| 1 3/8" Z21 | 1 3/4" Z6 | 1 3/4" Z20 | 1 3/8" Z6 | 1 3/8" Z21 | 1 3/4" Z6 | 1 3/4" Z20 | 1 3/8" Z6 | 1 3/8" Z21 | 1 3/4" Z6 | 1 3/4" Z20 |
| --- | --- | --- | --- | --- | --- | --- | --- | --- | --- | --- |
| Ø1 21 | --- | --- | --- | --- | --- | --- | --- | --- | --- | --- |
| 5730C3789 | --- | --- | --- | --- | --- | --- | --- | --- | --- | --- |
| --- | --- | --- | --- | --- | --- | --- | --- | --- | --- | --- |
| --- | --- | --- | --- | --- | --- | --- | --- | --- | --- | --- |
| Ø1 24 | Ø1 24 | Ø1 24 | Ø1 24 | Ø1 24 | Ø1 24 | Ø1 24 | Ø1 24 | Ø1 24 | --- | --- |
| 5730E3784 | 5730E0484 | 5730E3884 | 5730E0391 | 5730E3791 | 5730E0491 | 5730E3891 | 5110E0361 | 5110E3761 | --- | --- |
| --- | --- | --- | --- | --- | --- | --- | --- | --- | --- | --- |
| Ø1 28 | Ø1 28 | Ø1 28 | Ø1 28 | Ø1 28 | Ø1 28 | Ø1 28 | Ø1 28 | Ø1 28 | Ø1 28 | Ø1 28 |
| 5730G3784 | 5730G0484 | 5730G3884 | 5730G0391 | 5730G3791 | 5730G0491 | 5730G3891 | 5110G0361 | 5110G3761 | 5110G0461 | 5110G3861 |
| --- | --- | --- | --- | --- | --- | --- | --- | --- | --- | --- |
| Ø1 34 | Ø1 34 | Ø1 34 | Ø1 34 | Ø1 34 | Ø1 34 | Ø1 34 | Ø1 34 | Ø1 34 | Ø1 34 | Ø1 34 |
| 5730L3784 | 5730L0484 | 5730L3884 | 5730L0391 | 5730L3791 | 5730L0491 | 5730L3891 | 5110L0361 | 5110L3761 | 5110L0461 | 5110L3861 |

Taper pin yokes should only be mounted on the implement end of primary driveshafts.

Ball collar repair kits for 80° - 50° EL CV



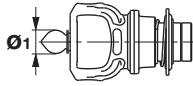
| | 2 | 4 | 6 | 8 |
|------------|------------|------------|------------|------------|
| 1 3/8" Z6 | 435000323R | 435000323R | 435000323R | 435000323R |
| 1 3/8" Z21 | 435000323R | 435000323R | 435000323R | 435000323R |
| 1 3/4" Z6 | --- | 435000420R | 435000420R | 435000420R |
| 1 3/4" Z20 | --- | 435000420R | 435000420R | 435000420R |

Automatic ball collar repair/retrofit kits for 80°-50° EL CV

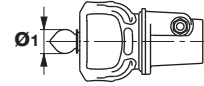


| | 4 | 6 | 8 |
|------------|------------|------------|------------|
| 1 3/8" Z6 | 435000311R | 435000311R | 435000311R |
| 1 3/8" Z21 | 435000311R | 435000311R | 435000311R |
| 1 3/4" Z6 | 435000411R | 435000411R | 435000411R |
| 1 3/4" Z20 | 435000411R | 435000411R | 435000411R |

43



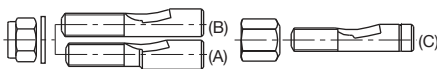
51



| 1 3/8" Z21 | 1 3/4" Z6 | 1 3/4" Z20 | 1 3/8" Z6 | 1 3/8" Z21 | 1 3/4" Z6 | 1 3/4" Z20 |
|------------|-----------|------------|-----------|------------|-----------|------------|
| --- | --- | --- | --- | --- | --- | --- |
| --- | --- | --- | --- | --- | --- | --- |
| --- | --- | --- | --- | --- | --- | --- |
| --- | --- | --- | --- | --- | --- | --- |
| Ø1 29 | Ø1 29 | Ø1 29 | Ø1 29 | Ø1 29 | --- | --- |
| 5730E3753 | 5730E0453 | 5730E3853 | 5190E0352 | 5190E3752 | --- | --- |
| --- | --- | --- | --- | --- | --- | --- |
| Ø1 33 | Ø1 33 | Ø1 33 | Ø1 33 | Ø1 33 | Ø1 33 | Ø1 33 |
| 5730G3753 | 5730G0453 | 5730G3853 | 5190G0352 | 5190G3752 | 5190G0452 | 5190G3852 |
| --- | --- | --- | --- | --- | --- | --- |
| Ø1 33 | Ø1 33 | Ø1 33 | Ø1 33 | Ø1 33 | Ø1 33 | Ø1 33 |
| 5730L3753 | 5730L0453 | 5730L3853 | 5190L0352 | 5190L3752 | 5190L0452 | 5190L3852 |

Taper pin yokes should only be mounted on the implement end of primary driveshafts.

Taper pin kits for 80°-50° EL CV



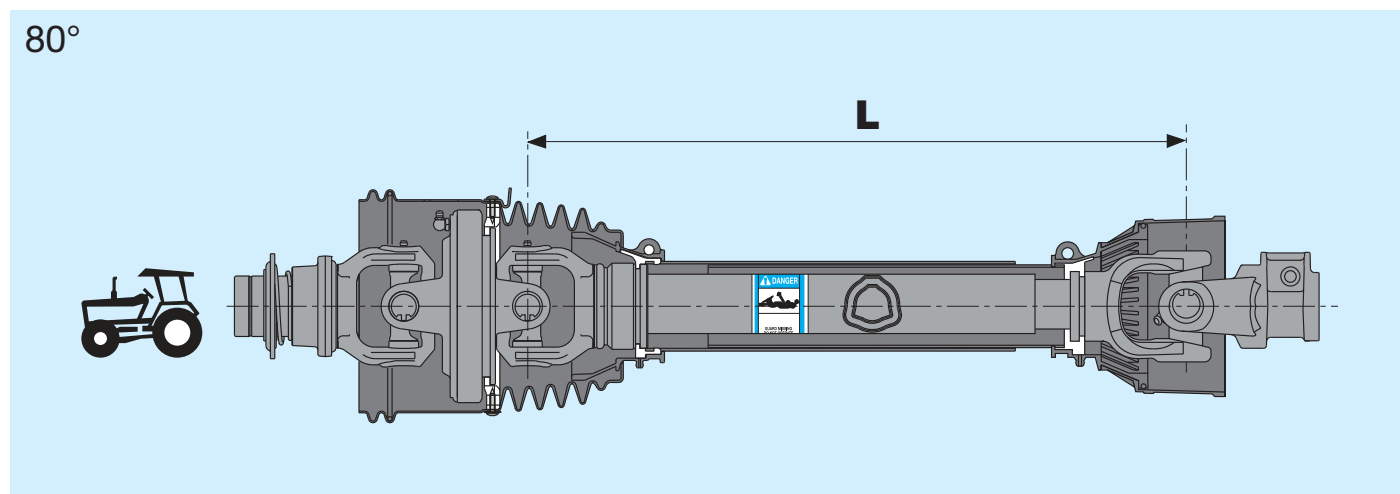
Use pin that fits completely into hub. Discard other pins and nut.
 Use tapered nut ONLY with pin (C) and yoke with counter-sunk hole.

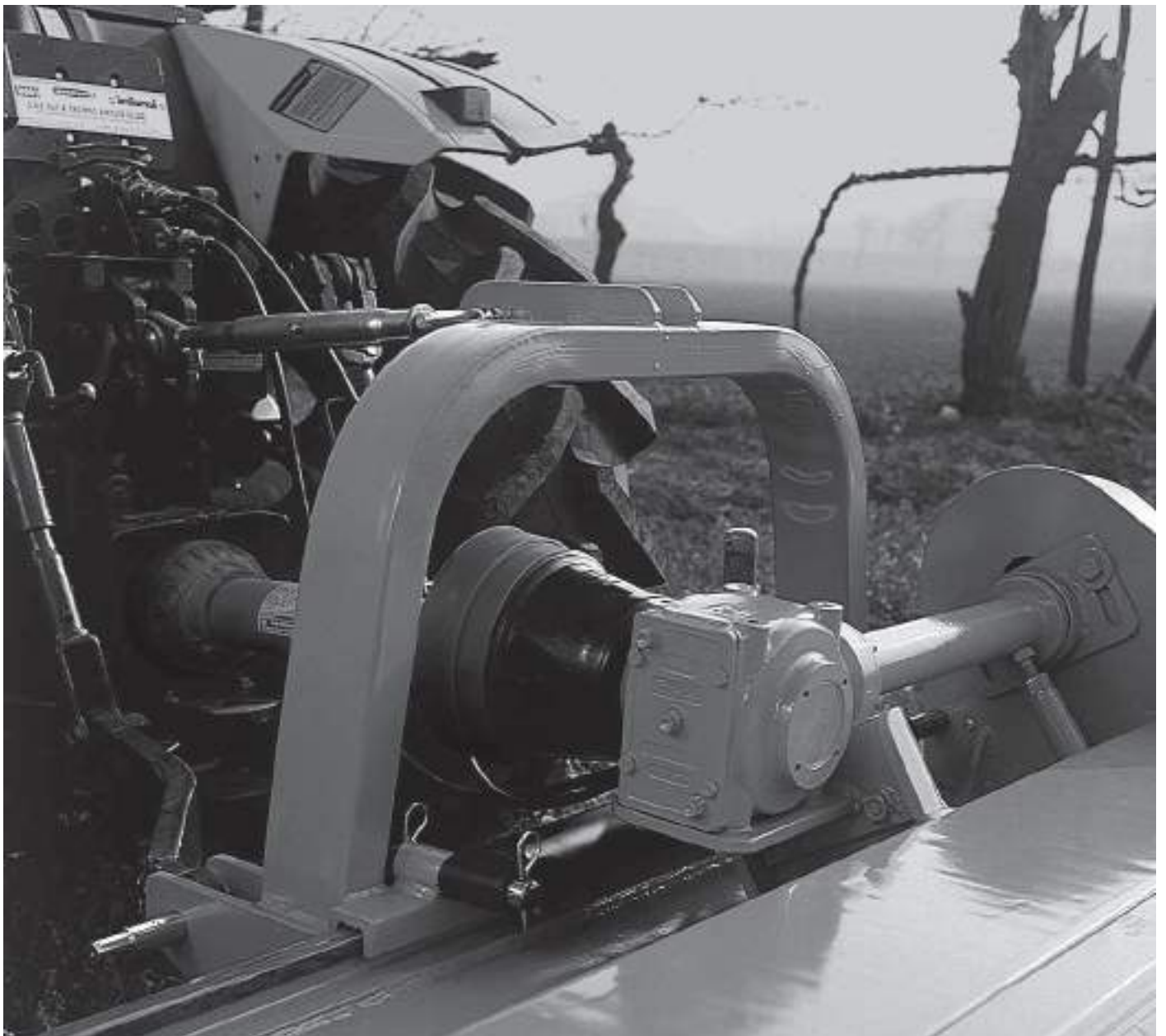
| | 4 | 6 | 8 |
|-------------------|------------|------------|------------|
| 1 3/8" Z6 | 408000075R | 408000075R | 408000075R |
| 1 3/8" Z21 | 408000075R | 408000075R | 408000075R |
| 1 3/4" Z6 | --- | 408000076R | 408000076R |
| 1 3/4" Z20 | --- | 408000076R | 408000076R |

Complete driveshafts

| 081 | 101 | 121 |
|-----------------|-----------------|-----------------|
| 810 | 1010 | 1210 |
| --- | --- | --- |
| --- | --- | --- |
| --- | --- | --- |
| --- | --- | --- |
| --- | --- | --- |
| --- | --- | --- |
| --- | --- | --- |
| 71R4081CEWR7007 | 71R4101CEWR7007 | 71R4121CEWR7007 |
| --- | --- | --- |
| 71R6081CEWR7007 | 71R6101CEWR7007 | 71R6121CEWR7007 |
| --- | --- | --- |
| 71R8081CEWR7007 | 71R8101CEWR7007 | 71R8121CEWR7007 |

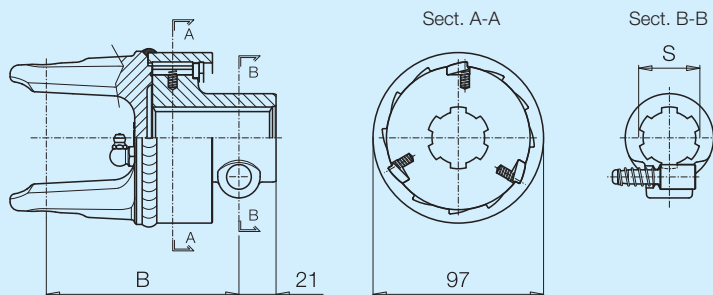
Codes above are equipped with CE mark (includes CE labels, instructions, and declaration of conformity). For other countries, the "CE" may be replaced by "U2" (for North America), "JP" (for Japan), or "FX", which will have labels and instructions according to pages 2 and 3.



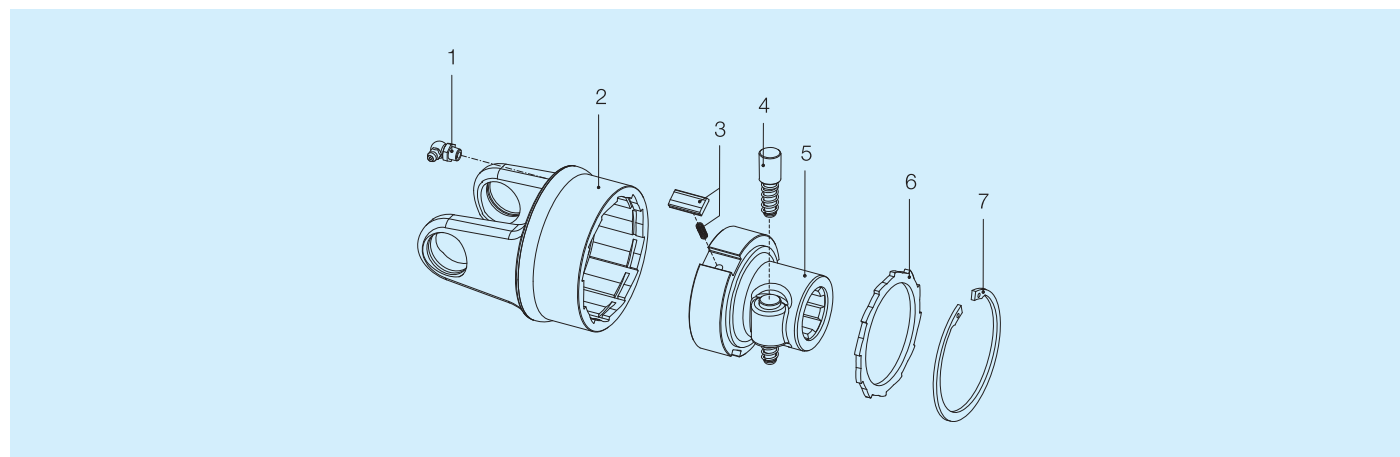


Overrunning clutches

RA1



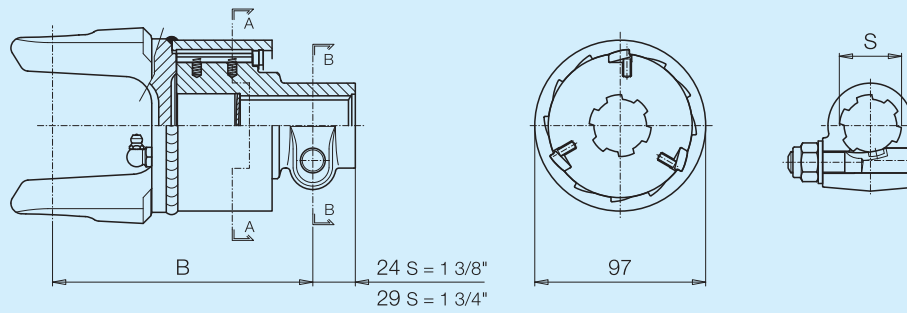
| Size | B (mm) | | | | Spare parts code | | | |
|----------------|-----------|------------|-----------|------------|------------------|------------|-----------|------------|
| | S | S | S | S | 1 3/8" Z6 | 1 3/8" Z21 | 1 3/4" Z6 | 1 3/4" Z20 |
| Maximum torque | | | | | | | | |
| 2400 Nm | 1 3/8" Z6 | 1 3/8" Z21 | 1 3/4" Z6 | 1 3/4" Z20 | 601101701R | 601101702R | --- | --- |
| 1 | 94 | 94 | --- | --- | 601102701R | 601102702R | --- | --- |
| 2 | 100 | 100 | --- | --- | 601104701R | 601104702R | --- | --- |
| 43-4 | 109 | 109 | --- | --- | 601105704R | 601105702R | --- | --- |
| 5 | 112 | 112 | --- | --- | | | | |



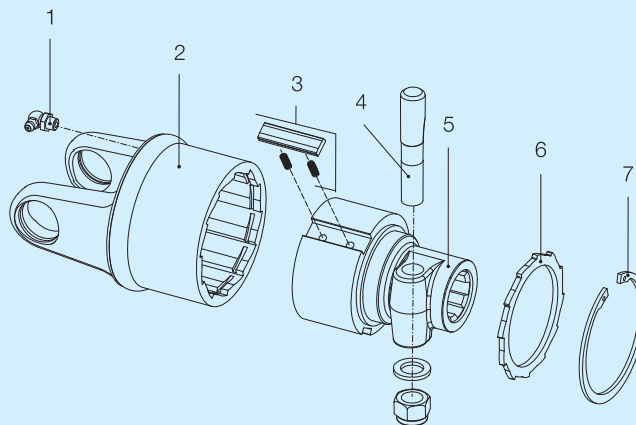
| Ref. | Size | Spare parts code | Description | Technical data |
|------|------|------------------|----------------------|--------------------|
| 1 | | 348014000R20 | Grease fitting | |
| 2 | 1 | 418011201R | Outer housing + yoke | |
| | 2 | 418021201R | | |
| | 43-4 | 418041203R | | |
| | 5 | 418051201R | | |
| 3 | | 4210C0001R03 | Pawl + spring kit | |
| 4 | | 403000001R10 | Push-pin kit | |
| 5 | | 5130C0301R | Hub with push-pin | 1 3/8" Z6 |
| | | 5130C3701R | | 1 3/8" Z21 |
| 6 | | 246000132R02 | Locking plate | |
| 7 | | 338005000R20 | Snap ring | 82 x 2.5 DIN 472/1 |

For primary drivelines, always install any torque limiter or overrunning clutch on the implement side. All rotating parts must be guarded.

RA2



| Size Maximum torque 3800 Nm | B (mm) | | | | Spare parts code | | | |
|-----------------------------------|----------------|-----------------|----------------|-----------------|------------------|------------|------------|------------|
| | S 1 3/8" Z6 | S 1 3/8" Z21 | S 1 3/4" Z6 | S 1 3/4" Z20 | 1 3/8" Z6 | 1 3/8" Z21 | 1 3/4" Z6 | 1 3/4" Z20 |
| 5 | 140 | 140 | 142 | 142 | 601205601R | 601205602R | 601205603R | 601205604R |
| 6 | 147 | 147 | 149 | 149 | 601206601R | 601206602R | 601206603R | 601206604R |
| 7 | 160 | 160 | 162 | 162 | 601217601R | 601217602R | 601217603R | 601217604R |



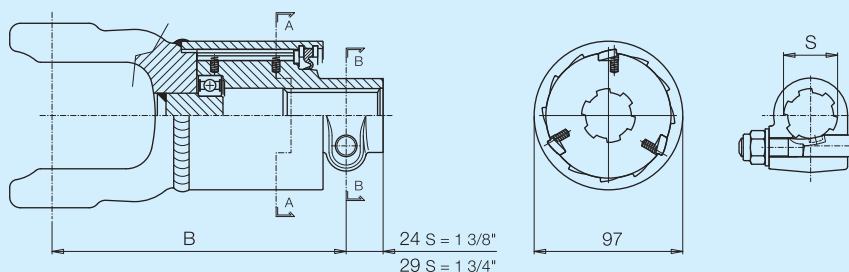
| Ref. | Size | Spare parts code | Description | Technical data |
|------|------|------------------|----------------------|--------------------|
| 1 | | 348014000R20 | Grease fitting | |
| 2 | 5 | 418052203R | Outer housing + yoke | |
| | 6 | 418062203R | | |
| | 7 | 418172203R | | |
| 3 | | 4210E0001R03 | Pawl + spring kit | |
| 4 | | 408000047R02 | Taper pin | 1 3/8" Z6 - Z21 |
| | | 408000046R02 | | 1 3/4" Z6 - Z20 |
| 5 | | 5150E0301R | Hub with taper pin | 1 3/8" Z6 |
| | | 5150E3701R | | 1 3/8" Z21 |
| | | 5150E0401R | | 1 3/4" Z6 |
| | | 5150E3801R | | 1 3/4" Z20 |
| 6 | | 246000132R02 | Locking plate | 1 3/8" Z6 - Z21 |
| | | 246000134R02 | Split locking plate | 1 3/4" Z6 - Z20 |
| 7 | | 338005000R20 | Snap ring | 82 x 2.5 DIN 472/1 |

For primary drivelines, always install any torque limiter or overrunning clutch on the implement side.
 All rotating parts must be guarded.

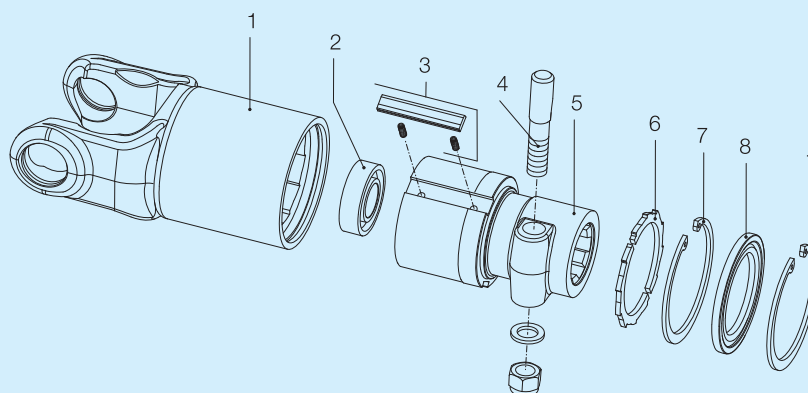
Overrunning clutches

RL3

Permanent lubrication

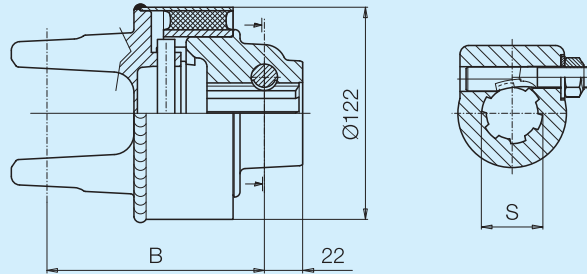


| Size Maximum torque | B (mm) | | | | Spare parts code | | | |
|------------------------|-----------|------------|-----------|------------|------------------|------------|------------|------------|
| | S | S | S | S | | | | |
| 6200 Nm | 1 3/8" Z6 | 1 3/8" Z21 | 1 3/4" Z6 | 1 3/4" Z20 | 1 3/8" Z6 | 1 3/8" Z21 | 1 3/4" Z6 | 1 3/4" Z20 |
| 8 | 191 | 191 | 193 | 193 | 60170M501R | 60170M502R | 60170M503R | 60170M504R |



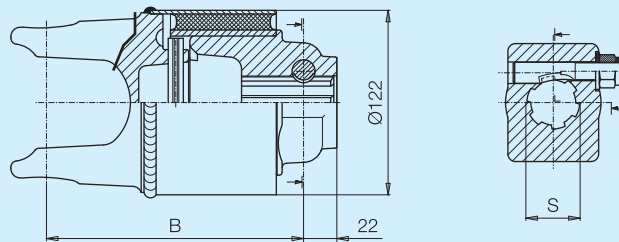
| Ref. | Size | Spare parts code | Description | Technical data |
|------|------|------------------|----------------------|---------------------|
| 1 | | 4180M7001R | Outer housing + yoke | |
| 2 | | 354110025 | Bearing | 6205 (25 x 52 x 15) |
| 3 | | 4210G0001R03 | Pawl + spring kit | |
| 4 | | 408000047R02 | Taper pin | 1 3/8" Z6 - Z21 |
| | | 408000046R02 | | 1 3/4" Z6 - Z20 |
| 5 | | 5150G0306R | Hub with taper pin | 1 3/8" Z6 |
| | | 5150G3706R | | 1 3/8" Z21 |
| | | 5150G0406R | | 1 3/4" Z6 |
| | | 5150G3806R | | 1 3/4" Z20 |
| 6 | | 246000132R02 | Locking plate | 1 3/8" Z6 - Z21 |
| | | 246000134R02 | Split locking plate | 1 3/4" Z6 - Z20 |
| 7 | | 338046000R20 | Snap ring | 88 x 3 DIN 472/1 |
| 8 | | 359005900R02 | Retaining ring | |

For primary drivelines, always install any torque limiter or overrunning clutch on the implement side. All rotating parts must be guarded.



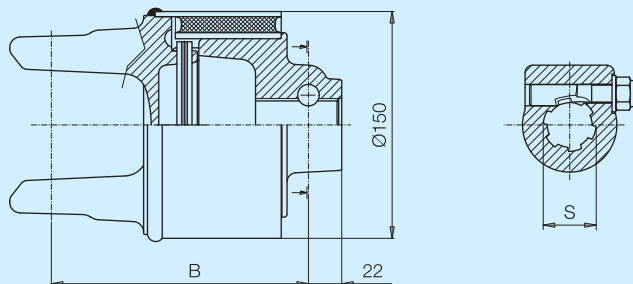
GE4

| Size Maximum torque | B (mm) | | | | Spare parts code | | | |
|------------------------|----------------|-----------------|----------------|-----------------|------------------|------------|-----------|------------|
| | S 1 3/8" Z6 | S 1 3/8" Z21 | S 1 3/4" Z6 | S 1 3/4" Z20 | 1 3/8" Z6 | 1 3/8" Z21 | 1 3/4" Z6 | 1 3/4" Z20 |
| 4 | 123 | 123 | --- | --- | 608E46501R | 608E46502R | --- | --- |
| 5 | 134 | 134 | --- | --- | 608G46501R | 608G46502R | --- | --- |



GE6

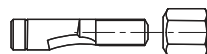
| Size Maximum torque | B (mm) | | | | Spare parts code | | | | |
|------------------------|----------------|-----------------|----------------|-----------------|------------------|------------|------------|------------|------------|
| | S 1 3/8" Z6 | S 1 3/8" Z21 | S 1 3/4" Z6 | S 1 3/4" Z20 | 1 3/8" Z6 | 1 3/8" Z21 | 1 3/4" Z6 | 1 3/4" Z20 | |
| 6 | 1700 Nm | 170 | 170 | 170 | 170 | 608H65501R | 608H65502R | 608H65503R | 608H65504R |
| | 3000 Nm | 170 | 170 | 170 | 170 | 608H66501R | 608H66502R | 608H66503R | 608H66504R |



GE8

| Size Maximum torque | B (mm) | | | | Spare parts code | | | |
|------------------------|----------------|-----------------|----------------|-----------------|------------------|------------|------------|------------|
| | S 1 3/8" Z6 | S 1 3/8" Z21 | S 1 3/4" Z6 | S 1 3/4" Z20 | 1 3/8" Z6 | 1 3/8" Z21 | 1 3/4" Z6 | 1 3/4" Z20 |
| 7 | 169 | 169 | 169 | 169 | 608L86501R | 608L86502R | 608L86503R | 608L86504R |
| 8 | 170 | 170 | 170 | 170 | 608M86501R | 608M86502R | 608M86503R | 608M86504R |

Taper pin

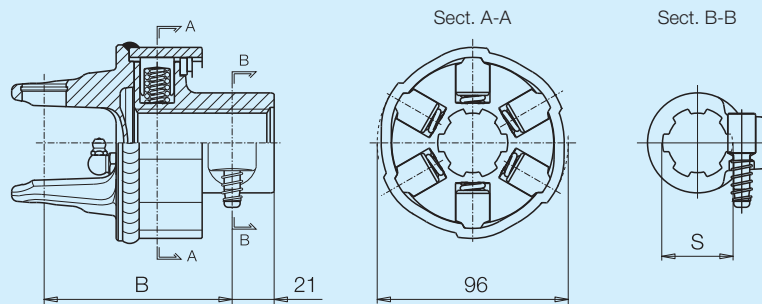


| 1 3/8" Z6 | 1 3/8" Z21 | 1 3/4" Z6 | 1 3/4" Z20 |
|--------------|--------------|--------------|--------------|
| 408000047R02 | 408000047R02 | 408000046R02 | 408000046R02 |

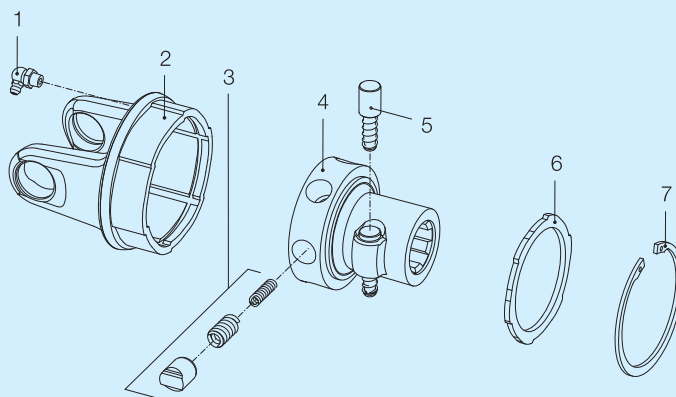
Ratchet torque limiters

SA1

One-way



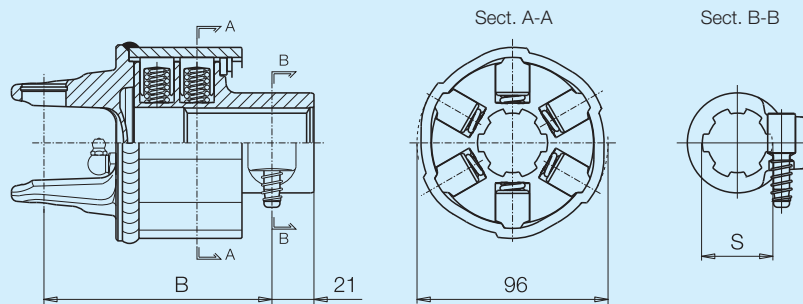
| Size | Torque Nm | B (mm) | | | | Spare parts code | | | |
|------|--------------|----------------|-----------------|----------------|-----------------|------------------|------------|-----------|------------|
| | | S 1 3/8" Z6 | S 1 3/8" Z21 | S 1 3/4" Z6 | S 1 3/4" Z20 | 1 3/8" Z6 | 1 3/8" Z21 | 1 3/4" Z6 | 1 3/4" Z20 |
| 4 | 400 | 94 | --- | --- | --- | 610124001R | --- | --- | --- |



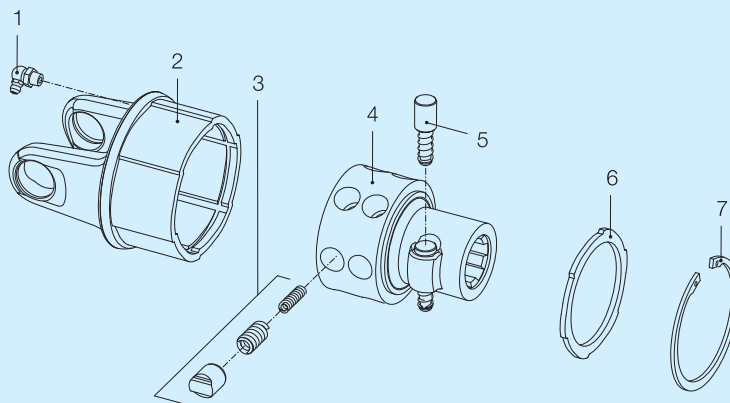
| Ref. | Size | Spare parts code | Description | Technical data |
|------|------|------------------|----------------------|--------------------|
| 1 | | 348014000R20 | Grease fitting | |
| 2 | 1 | 422011020R | Outer housing + yoke | |
| 3 | | 421340001R06 | Ratchet + spring kit | |
| 4 | | 513340302R | Hub with push-pin | 1 3/8" Z6 |
| 5 | | 403000001R10 | Push-pin kit | |
| 6 | | 240000033R02 | Locking plate | |
| 7 | | 338005000R20 | Snap ring | 82 x 2.5 DIN 472/1 |

For primary drivelines, always install any torque limiter or overrunning clutch on the implement side. All rotating parts must be guarded.

SA2
 One-way



| Size | Torque Nm | B (mm) | | | | Spare parts code | | | |
|------|--------------|----------------|-----------------|----------------|-----------------|------------------|------------|-----------|------------|
| | | S 1 3/8" Z6 | S 1 3/8" Z21 | S 1 3/4" Z6 | S 1 3/4" Z20 | 1 3/8" Z6 | 1 3/8" Z21 | 1 3/4" Z6 | 1 3/4" Z20 |
| 1 | 650 | 114 | --- | --- | --- | 610234001R | --- | --- | --- |
| 2 | 650 | 120 | --- | --- | --- | 611234005R | --- | --- | --- |
| | 800 | | | | | 611239001R | --- | --- | --- |



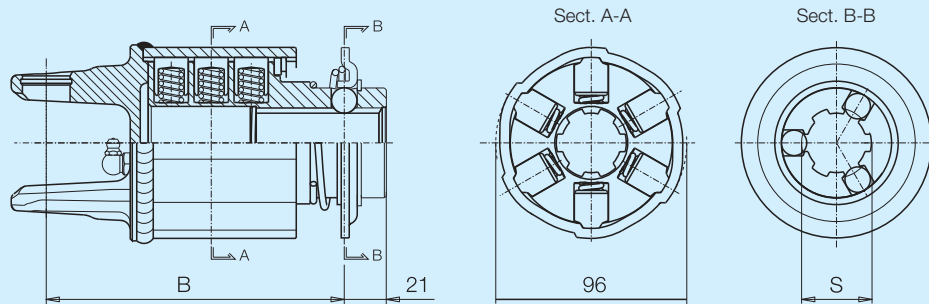
| Ref. | Size | Spare parts code | Description | Technical data |
|------|------|------------------|----------------------|--------------------|
| 1 | | 348014000R20 | Grease fitting | |
| 2 | 1 | 422012020R | Outer housing + yoke | |
| | 2 | 422022020R | | |
| 3 | | 421340001R06 | Ratchet + spring kit | |
| 4 | | 513350302R | Hub with push-pin | 1 3/8" Z6 |
| 5 | | 403000001R10 | Push-pin kit | |
| 6 | | 240000033R02 | Locking plate | |
| 7 | | 338005000R20 | Snap ring | 82 x 2.5 DIN 472/1 |

⚠ For primary drivelines, always install any torque limiter or overrunning clutch on the implement side.
 All rotating parts must be guarded.

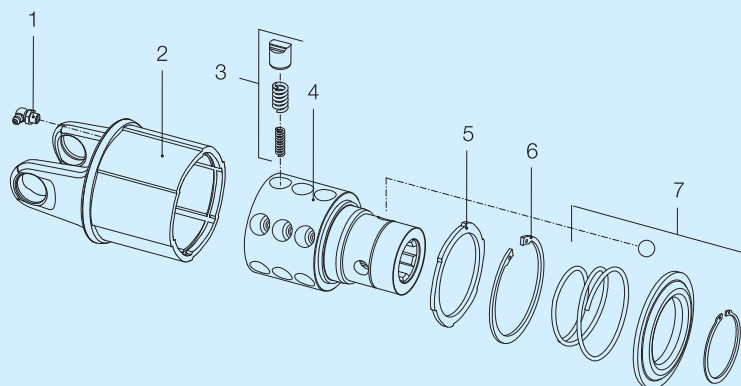
Ratchet torque limiters

SA3


One-way

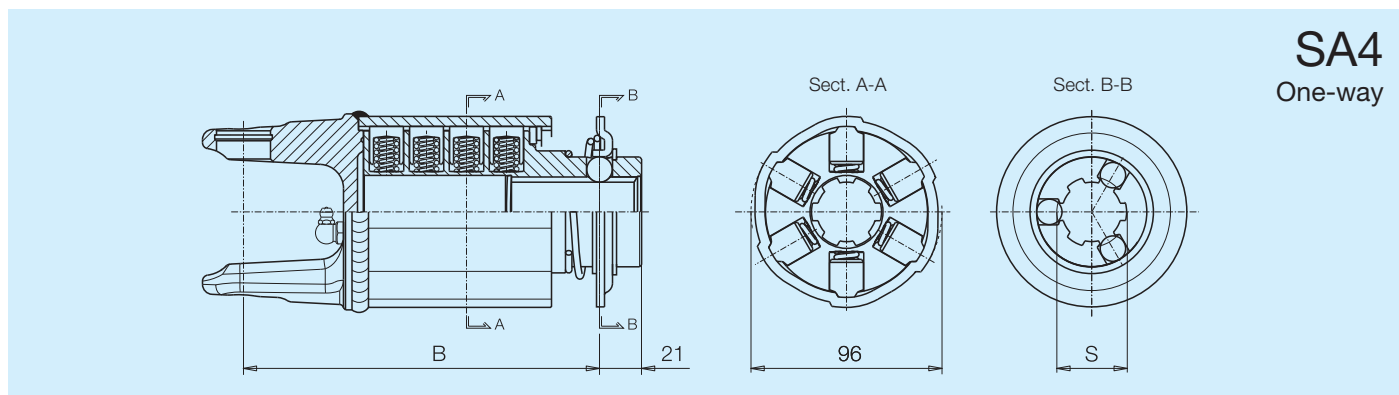


| Size | Torque Nm | B (mm) | | | | Spare parts code | | | |
|------|--------------|----------------|-----------------|----------------|-----------------|------------------|------------|-----------|------------|
| | | S 1 3/8" Z6 | S 1 3/8" Z21 | S 1 3/4" Z6 | S 1 3/4" Z20 | 1 3/8" Z6 | 1 3/8" Z21 | 1 3/4" Z6 | 1 3/4" Z20 |
| 2 | 900 | 149 | --- | --- | --- | 611341501R | --- | --- | --- |
| | 1000 | | | | | 611344501R | --- | --- | --- |
| | 1200 | | | | | 611348501R | --- | --- | --- |
| 43-4 | 1000 | 158 | --- | --- | --- | 613344501R | --- | --- | --- |
| | 1200 | | | | | 613348501R | --- | --- | --- |
| 5 | 1200 | 161 | --- | --- | --- | 614348501R | --- | --- | --- |

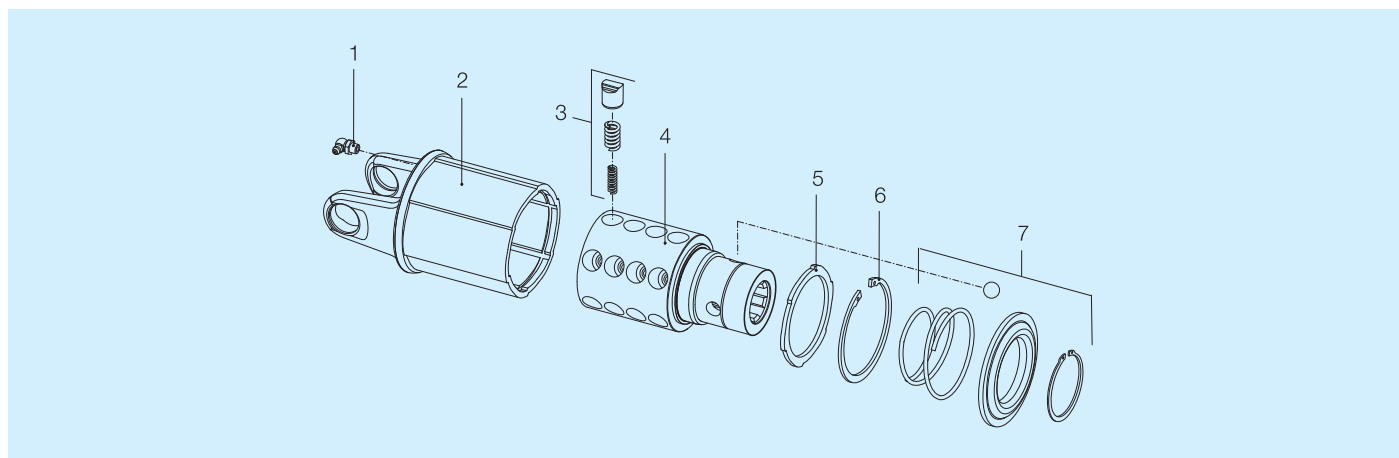


| Ref. | Size | Spare parts code | Description | Technical data |
|------|------|------------------|----------------------|--------------------|
| 1 | | 348014000R20 | Grease fitting | |
| 2 | 2 | 422023020R | Outer housing + yoke | |
| | 43-4 | 422043020R | | |
| | 5 | 422053020R | | |
| 3 | | 421340001R06 | Ratchet + spring kit | |
| 4 | | 2270Q0303R | Hub | 1 3/8" Z6 |
| 5 | | 240000033R02 | Locking plate | |
| 6 | | 338005000R20 | Snap ring | 82 x 2.5 DIN 472/1 |
| 7 | | 435000321R | Ball collar kit | |

 For primary drivelines, always install any torque limiter or overrunning clutch on the implement side. All rotating parts must be guarded.



| Size | Torque Nm | B (mm) | | | | Spare parts code | | | |
|------|--------------|----------------|-----------------|----------------|-----------------|------------------|------------|-----------|------------|
| | | S 1 3/8" Z6 | S 1 3/8" Z21 | S 1 3/4" Z6 | S 1 3/4" Z20 | 1 3/8" Z6 | 1 3/8" Z21 | 1 3/4" Z6 | 1 3/4" Z20 |
| 43-4 | 1400 | 178 | --- | --- | --- | 613452501R | --- | --- | --- |
| | 1600 | | | | | 613456501R | --- | --- | --- |
| 5 | 1400 | 181 | --- | --- | --- | 614452501R | --- | --- | --- |
| | 1600 | | | | | 614456501R | --- | --- | --- |
| 6 | 1400 | 188 | --- | --- | --- | 615452501R | --- | --- | --- |
| | 1600 | | | | | 615456501R | --- | --- | --- |



| Ref. | Size | Spare parts code | Description | Technical data |
|------|------|------------------|----------------------|--------------------|
| 1 | | 348014000R20 | Grease fitting | |
| 2 | 43-4 | 422044020R | Outer housing + yoke | |
| | 5 | 422054020R | | |
| | 6 | 422064020R | | |
| 3 | | 421340001R06 | Ratchet + spring kit | |
| 4 | | 2270R0302R | Hub | 1 3/8" Z6 |
| 5 | | 240000033R02 | Locking plate | |
| 6 | | 338005000R20 | Snap ring | 82 x 2.5 DIN 472/1 |
| 7 | | 435000321R | Ball collar kit | |

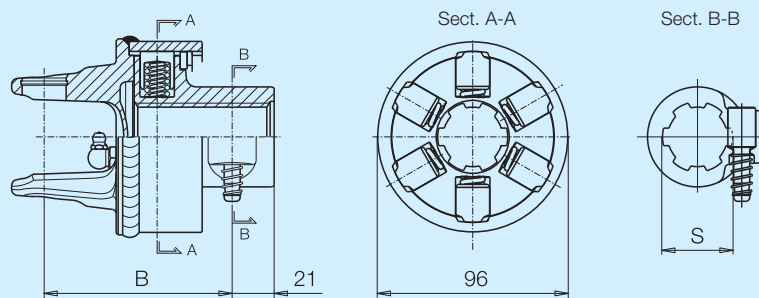
For primary drivelines, always install any torque limiter or overrunning clutch on the implement side.
 All rotating parts must be guarded.

Ratchet torque limiters

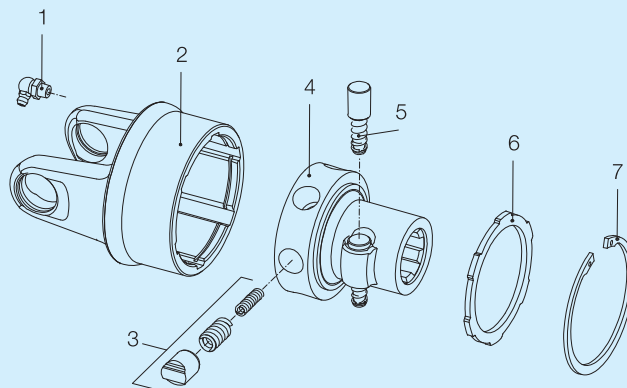
100

LN1

Symmetrical



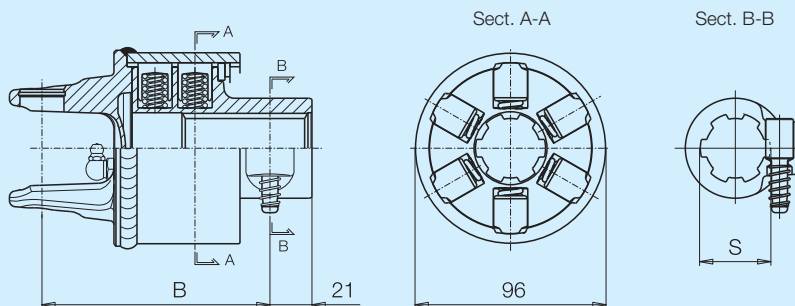
| Size | Torque Nm | B (mm) | | | | Spare parts code | | | |
|------|--------------|----------------|-----------------|----------------|-----------------|------------------|------------|-----------|------------|
| | | S 1 3/8" Z6 | S 1 3/8" Z21 | S 1 3/4" Z6 | S 1 3/4" Z20 | 1 3/8" Z6 | 1 3/8" Z21 | 1 3/4" Z6 | 1 3/4" Z20 |
| 1 | 300 | 94 | --- | --- | --- | 60A1B1903R | --- | --- | --- |



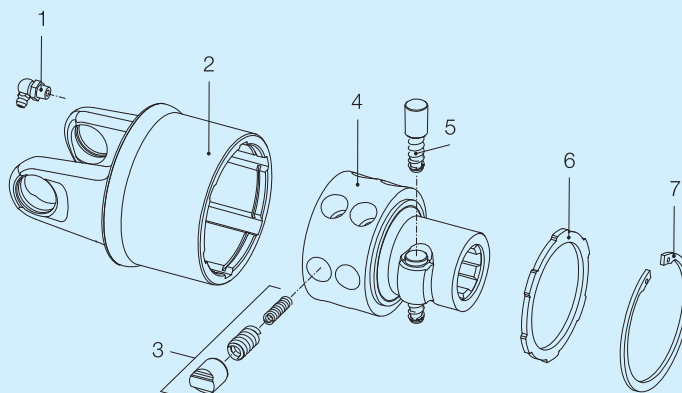
| Ref. | Size | Spare parts code | Description | Technical data |
|------|------|------------------|----------------------|--------------------|
| 1 | | 348014000R20 | Grease fitting | |
| 2 | 1 | 422B0S301R | Outer housing + yoke | |
| 3 | | 421340007R06 | Ratchet + spring kit | |
| 4 | | 513340302R | Hub with push-pin | 1 3/8" Z6 |
| 5 | | 403000001R10 | Push-pin kit | |
| 6 | | 240000294R02 | Locking plate | |
| 7 | | 338005000R20 | Snap ring | 82 x 2.5 DIN 472/1 |

For primary drivelines, always install any torque limiter or overrunning clutch on the implement side. All rotating parts must be guarded.

LN2
 Symmetrical



| Size | Torque Nm | B (mm) | | | | Spare parts code | | | |
|------|--------------|----------------|-----------------|----------------|-----------------|------------------|------------|-----------|------------|
| | | S 1 3/8" Z6 | S 1 3/8" Z21 | S 1 3/4" Z6 | S 1 3/4" Z20 | 1 3/8" Z6 | 1 3/8" Z21 | 1 3/4" Z6 | 1 3/4" Z20 |
| 1 | 460 | 114 | --- | --- | --- | 60A2B2603R | --- | --- | --- |
| | 600 | | | | | 60A2B3203R | --- | --- | --- |
| 2 | 600 | 120 | --- | --- | --- | 60A2C3203R | --- | --- | --- |

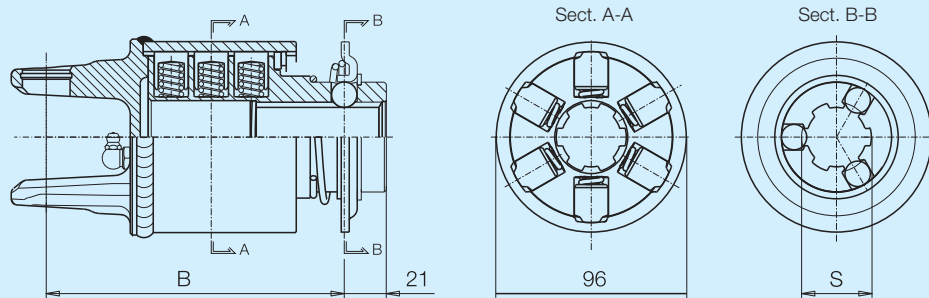


| Ref. | Size | Spare parts code | Description | Technical data |
|------|------|------------------|----------------------|--------------------|
| 1 | | 348014000R20 | Grease fitting | |
| 2 | 1 | 422B0T301R | Outer housing + yoke | |
| | 2 | 422C0T301R | | |
| 3 | | 421340007R06 | Ratchet + spring kit | |
| 4 | | 513350302R | Hub with push-pin | 1 3/8" Z6 |
| 5 | | 403000001R10 | Push-pin kit | |
| 6 | | 240000294R02 | Locking plate | |
| 7 | | 338005000R20 | Snap ring | 82 x 2.5 DIN 472/1 |

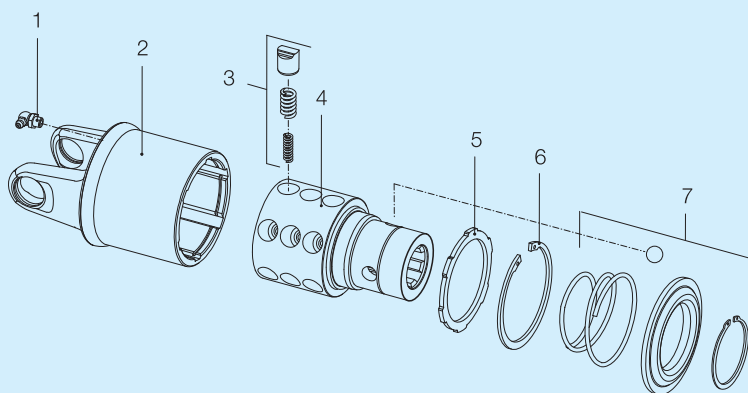
⚠ For primary drivelines, always install any torque limiter or overrunning clutch on the implement side.
 All rotating parts must be guarded.

Ratchet torque limiters


LN3 Symmetrical

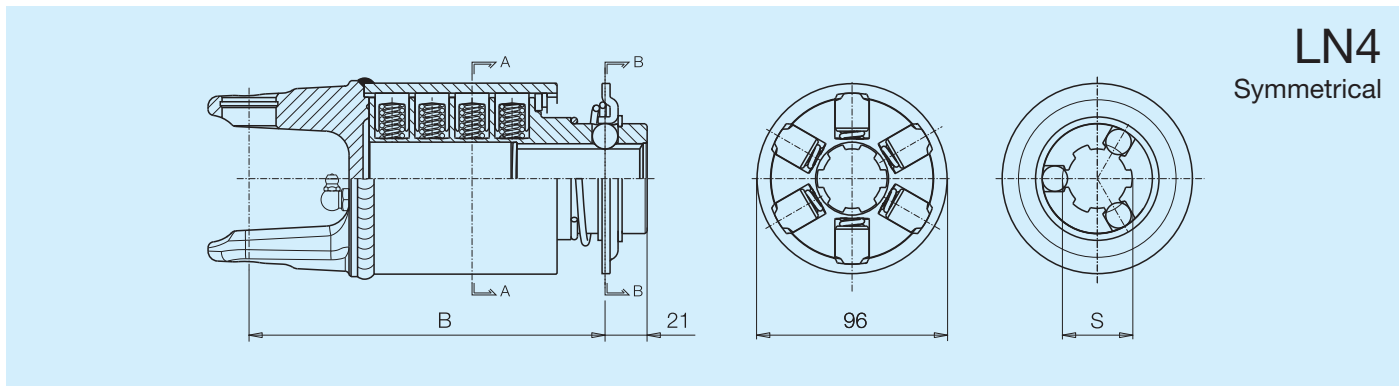


| Size | Torque Nm | B (mm) | | | | Spare parts code | | | |
|------|--------------|----------------|-----------------|----------------|-----------------|------------------|------------|-----------|------------|
| | | S 1 3/8" Z6 | S 1 3/8" Z21 | S 1 3/4" Z6 | S 1 3/4" Z20 | 1 3/8" Z6 | 1 3/8" Z21 | 1 3/4" Z6 | 1 3/4" Z20 |
| 2 | 800 | 149 | --- | --- | --- | 60B3C3903R | --- | --- | --- |
| | 900 | | | | | 60B3C4103R | --- | --- | --- |

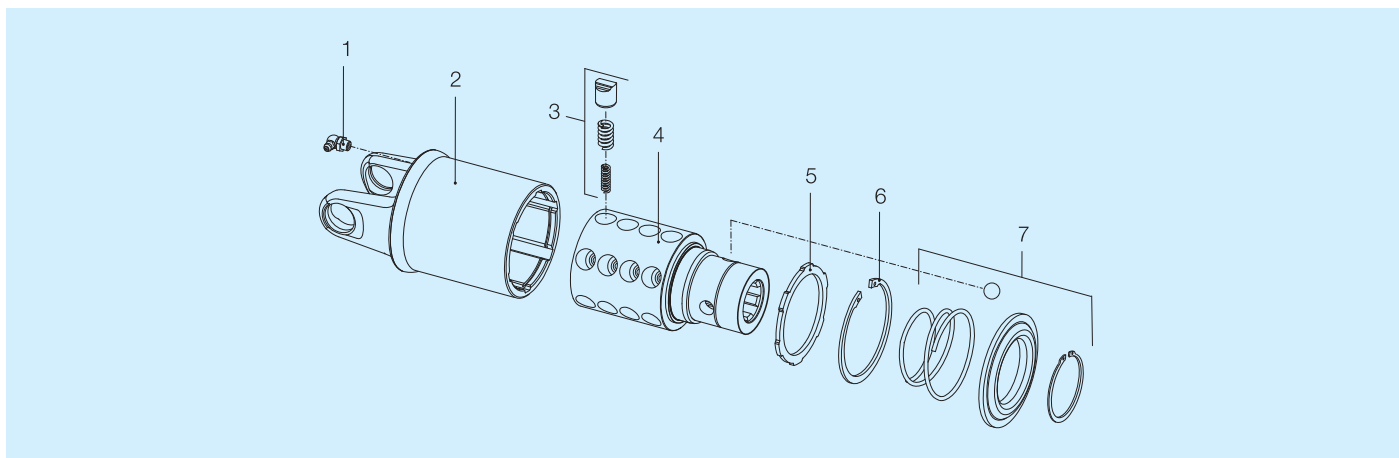


| Ref. | Size | Spare parts code | Description | Technical data |
|------|------|------------------|----------------------|--------------------|
| 1 | | 348014000R20 | Grease fitting | |
| 2 | 2 | 422C0U301R | Outer housing + yoke | |
| 3 | | 421340007R06 | Ratchet + spring kit | |
| 4 | | 2270Q0303R | Hub | 1 3/8" Z6 |
| 5 | | 240000294R02 | Locking plate | |
| 6 | | 338005000R20 | Snap ring | 82 x 2.5 DIN 472/1 |
| 7 | | 435000321R | Ball collar kit | |

 For primary drivelines, always install any torque limiter or overrunning clutch on the implement side.
All rotating parts must be guarded.



| Size | Torque Nm | B (mm) | | | | Spare parts code | | | |
|------|--------------|----------------|-----------------|----------------|-----------------|------------------|------------|-----------|------------|
| | | S 1 3/8" Z6 | S 1 3/8" Z21 | S 1 3/4" Z6 | S 1 3/4" Z20 | 1 3/8" Z6 | 1 3/8" Z21 | 1 3/4" Z6 | 1 3/4" Z20 |
| 2 | 1000 | 169 | --- | --- | --- | 60B4C4403R | --- | --- | --- |
| | 1200 | --- | --- | --- | --- | 60B4C4803R | --- | --- | --- |
| 43-4 | 1000 | 178 | --- | --- | --- | 60B4E4403R | --- | --- | --- |
| | 1200 | --- | --- | --- | --- | 60B4E4803R | --- | --- | --- |
| 5 | 1200 | 181 | --- | --- | --- | 60B4G4803R | --- | --- | --- |



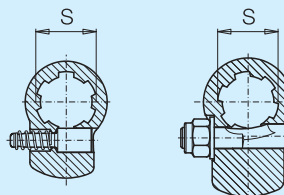
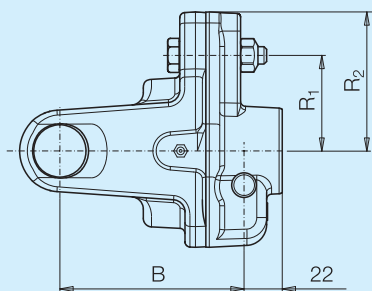
| Ref. | Size | Spare parts code | Description | Technical data |
|------|------|------------------|----------------------|--------------------|
| 1 | | 348014000R20 | Grease fitting | |
| 2 | 2 | 422C0V301R | Outer housing + yoke | |
| | 43-4 | 422E0V301R | | |
| | 5 | 422G0V301R | | |
| 3 | | 421340007R06 | Ratchet + spring kit | |
| 4 | | 2270R0302R | Hub | 1 3/8" Z6 |
| 5 | | 240000294R02 | Locking plate | |
| 6 | | 338005000R20 | Snap ring | 82 x 2.5 DIN 472/1 |
| 7 | | 435000321R | Ball collar kit | |

For primary drivelines, always install any torque limiter or overrunning clutch on the implement side. All rotating parts must be guarded.

Shear bolt torque limiters

100

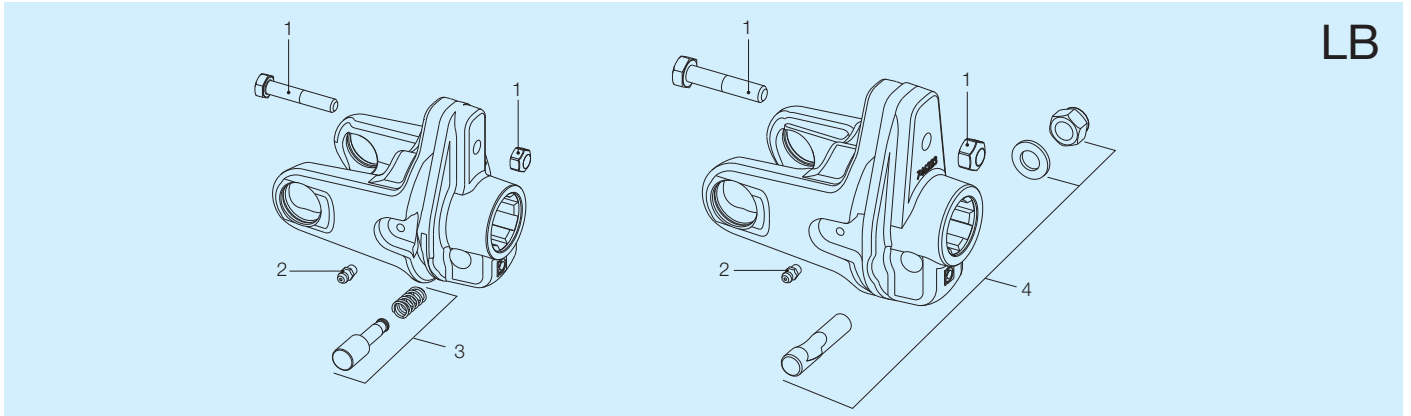
LB



Push-pin for sizes 1, 2, 43, 4 Taper pin for sizes 5, 6, 7, 8

| Size | Torque Nm | B mm | R ₁ mm | R ₂ mm | Spare parts code | | | |
|------|--------------|---------|----------------------|----------------------|------------------|------------|------------|------------|
| | | | | | 1 3/8" Z6 | 1 3/8" Z21 | 1 3/4" Z6 | 1 3/4" Z20 |
| 1 | 650 | 80 | 37 | 68 | 6060B0304R | 6060B3703R | --- | --- |
| | 700 | | 40 | | 6060B0302R | 6060B3702R | --- | --- |
| 2 | 950 | 87 | 55 | 68 | 6060C0302R | 6060C3702R | --- | --- |
| | 1050 | | 60 | | 6060C0308R | 6060C3704R | --- | --- |
| 43 | 1400 | 93 | 45 | 68 | 6060E0303R | 6060E3704R | --- | --- |
| | 1700 | | 55 | | 6060E0302R | 6060E3702R | --- | --- |
| 4 | 1400 | 93 | 45 | 68 | 6060E0303R | 6060E3704R | --- | --- |
| | 1700 | | 55 | | 6060E0302R | 6060E3702R | --- | --- |
| | 2000 | | 43 | | 6060E0309R | 6060E3711R | --- | --- |
| 5 | 2100 | 106 | 67 | 80 | 6060G0319R | 6060G3710R | 6060G0408R | 6060G3803R |
| | 2400 | | 50 | | 6060G0304R | 6060G3704R | 6060G0404R | 6060G3804R |
| 6 | 2400 | 112 | 50 | 80 | 6060H0306R | 6060H3707R | 6060H0404R | 6060H3807R |
| | 2700 | | 55 | | 6060H0302R | 6060H3702R | 6060H0402R | 6060H3802R |
| 7 | 2700 | 115 | 55 | 80 | 6060L0303R | 6060L3703R | 6060L0404R | 6060L3807R |
| | 3200 | | 66 | | 6060L0305R | 6060L3704R | 6060L0407R | 6060L3808R |
| 8 | 3000 | 121 | 62 | 80 | 6060M0306R | 6060M3705R | 6060M0405R | 6060M3811R |
| | 3500 | | 50 | | 6060M0307R | 6060M3703R | 6060M0407R | 6060M3809R |

The torque setting, assigned according to type and size of telescoping members, must never exceed the maximum torque of the driveline Mmax.



| Ref. | Size | Spare parts code | Description | Technical data |
|------|------|------------------|----------------|-----------------|
| 1 | | 432000002R05 | Bolt | M6x40 Cl. 8.8 |
| | | 432000047R05 | | M8x45 Cl. 8.8 |
| | | 432000053R05 | | M10x50 Cl. 8.8 |
| | | 432000124R05 | | M12x55 Cl. 8.8 |
| 2 | | 348017000R20 | Grease fitting | |
| 3 | | 403000001R10 | Push-pin kit | 1 3/8" Z6 - Z21 |
| 4 | | 408000048R02 | Taper pin | 1 3/8" Z6 - Z21 |
| | | 408000052R02 | | 1 3/4" Z6 - Z20 |

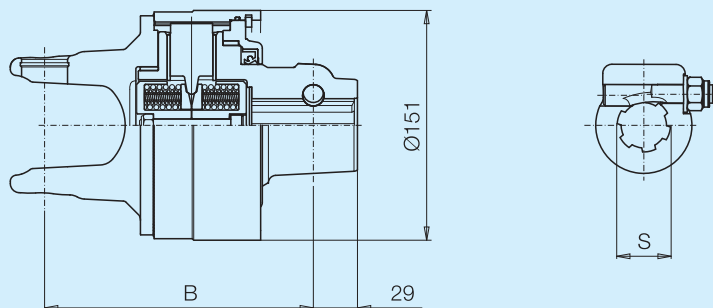


For primary drivelines, always install any torque limiter or overrunning clutch on the implement side.
 All rotating parts must be guarded.

Automatic torque limiter

100

LR23



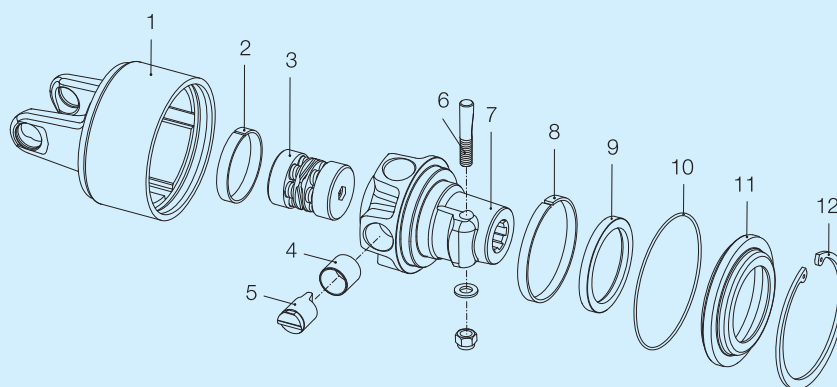
| Size | Torque Nm | B (mm) | | | | Spare parts code | | | |
|------|--------------|----------------|-----------------|----------------|-----------------|------------------|------------|------------|------------|
| | | S 1 3/8" Z6 | S 1 3/8" Z21 | S 1 3/4" Z6 | S 1 3/4" Z20 | 1 3/8" Z6 | 1 3/8" Z21 | 1 3/4" Z6 | 1 3/4" Z20 |
| 4 | *1200 | 172 | 172 | 172 | 172 | 6WE148003R | 6WE148037R | 6WE148004R | 6WE148038R |
| | 1500 | | | | | 6WE154003R | 6WE154037R | 6WE154004R | 6WE154038R |
| | 1700 | | | | | 6WE157003R | 6WE157037R | 6WE157004R | 6WE157038R |
| 5 | *1500 | 177 | 177 | 177 | 177 | 6WG154003R | 6WG154037R | 6WG154004R | 6WG154038R |
| | 1700 | | | | | 6WG157003R | 6WG157037R | 6WG157004R | 6WG157038R |
| | 1900 | | | | | 6WG159003R | 6WG159037R | 6WG159004R | 6WG159038R |
| | 2100 | | | | | 6WG161003R | 6WG161037R | 6WG161004R | 6WG161038R |
| 6 | *2100 | 184 | 184 | 184 | 184 | 6WH161003R | 6WH161037R | 6WH161004R | 6WH161038R |

*Maximum recommended settings for 1000 min⁻¹ velocity.



For primary drivelines, always install any torque limiter or overrunning clutch on the implement side.
All rotating parts must be guarded.

LR23



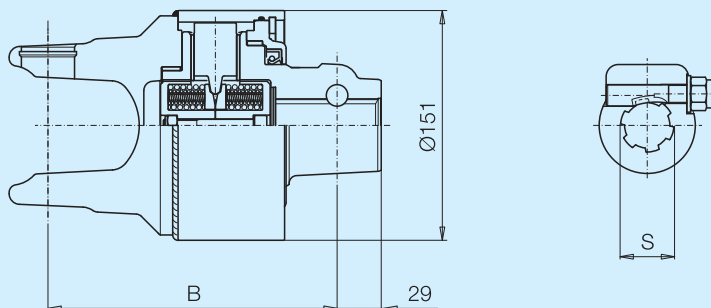
| Ref. | Size | Spare parts code | Description | Technical data |
|------|------|------------------|---------------------------------|-------------------|
| 1 | 4 | 4310E1151R | Outer housing + yoke | |
| | 5 | 4310G1151R | | |
| | 6 | 4310G1151R | | |
| 2 | | 240000205R02 | Bushing | |
| 3 | | 421154801R | Spring pack | 1200 Nm |
| | | 421155401R | | 1500 Nm |
| | | 421155701R | | 1700 Nm |
| | | 421155901R | | 1900 Nm |
| | | 421156101R | | 2100 Nm |
| 4 | | 258000100R05 | Bushing | |
| 5 | | 250000101R05 | Cam | |
| 6 | | 408000047R02 | Taper pin | 1 3/8" Z6 - Z21 |
| | | 408000052R02 | | 1 3/4" Z6 - Z20 |
| 7 | | 515150301R | Hub with taper pin and bushings | 1 3/8" Z6 |
| | | 515153701R | | 1 3/8" Z21 |
| | | 515150401R | | 1 3/4" Z6 |
| | | 515153801R | | 1 3/4" Z20 |
| 8 | | 240000201R02 | Bushing | |
| 9 | | 355006080R02 | Sealing ring | 80 x 100 x 10 mm |
| 10 | | 358000006R02 | O-ring | 139 x 2.6 mm |
| 11 | | 240000202R02 | Locking plate | |
| 12 | | 338000138R20 | Snap ring | 138 x 4 DIN 472/1 |



For primary drivelines, always install any torque limiter or overrunning clutch on the implement side.
 All rotating parts must be guarded.

Automatic torque limiter

LR24



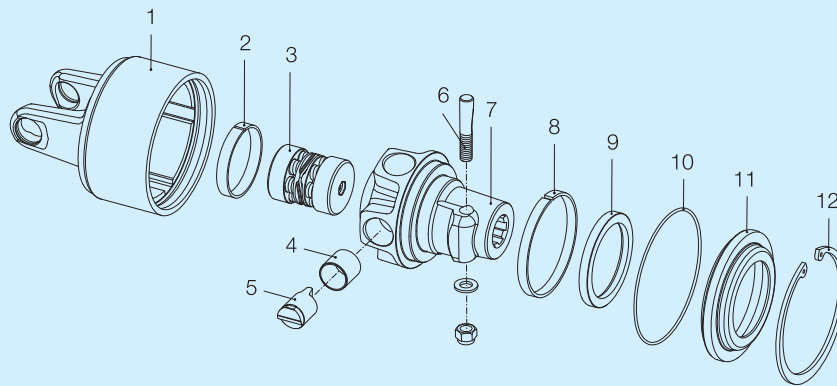
| Size | Torque Nm | B (mm) | | | | Spare parts code | | | |
|------|--------------|----------------|-----------------|----------------|-----------------|------------------|------------|------------|------------|
| | | S 1 3/8" Z6 | S 1 3/8" Z21 | S 1 3/4" Z6 | S 1 3/4" Z20 | 1 3/8" Z6 | 1 3/8" Z21 | 1 3/4" Z6 | 1 3/4" Z20 |
| 6 | 2600 | 184 | 184 | 184 | 184 | 6WH266003R | 6WH266037R | 6WH266004R | 6WH266038R |
| | 2900 | | | | | 6WH269003R | 6WH269037R | 6WH269004R | 6WH269038R |
| 7 | *2500 | 184 | 184 | 184 | 184 | 6WL265003R | 6WL265037R | 6WL265004R | 6WL265038R |
| | 3000 | | | | | 6WL270003R | 6WL270037R | 6WL270004R | 6WL270038R |
| 8 | *2500 | 192 | 192 | 192 | 192 | 6WM265003R | 6WM265037R | 6WM265004R | 6WM265038R |
| | 3000 | | | | | 6WM270003R | 6WM270037R | 6WM270004R | 6WM270038R |

*Maximum recommended settings for 1000 min⁻¹ velocity.



For primary drivelines, always install any torque limiter or overrunning clutch on the implement side.
All rotating parts must be guarded.

LR24



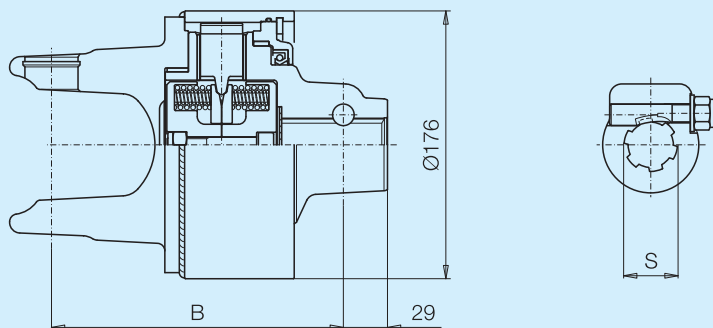
| Ref. | Size | Spare parts code | Description | Technical data |
|------|------|------------------|---------------------------------|-------------------|
| 1 | 6 | 431062152R | Outer housing + yoke | |
| | 7 | 4310L2152R | | |
| | 8 | 431082152R | | |
| 2 | | 240000205R02 | Bushing | |
| 3 | | 421166502R | Spring pack | 2500 Nm |
| | | 421166601R | | 2600 Nm |
| | | 421166902R | | 2900 Nm |
| | | 421167001R | | 3000 Nm |
| 4 | | 258000100R05 | Bushing | |
| 5 | | 250000108R05 | Cam | |
| 6 | | 408000047R02 | Taper pin | 1 3/8" Z6 - Z21 |
| | | 408000052R02 | | 1 3/4" Z6 - Z20 |
| 7 | | 515160301R | Hub with taper pin and bushings | 1 3/8" Z6 |
| | | 515163701R | | 1 3/8" Z21 |
| | | 515160401R | | 1 3/4" Z6 |
| | | 515163801R | | 1 3/4" Z20 |
| 8 | | 240000201R02 | Bushing | |
| 9 | | 355006080R02 | Sealing ring | 80 x 100 x 10 mm |
| 10 | | 358000006R02 | O-ring | 139 x 2.6 mm |
| 11 | | 240000202R02 | Locking plate | |
| 12 | | 338000138R20 | Snap ring | 138 x 4 DIN 472/1 |



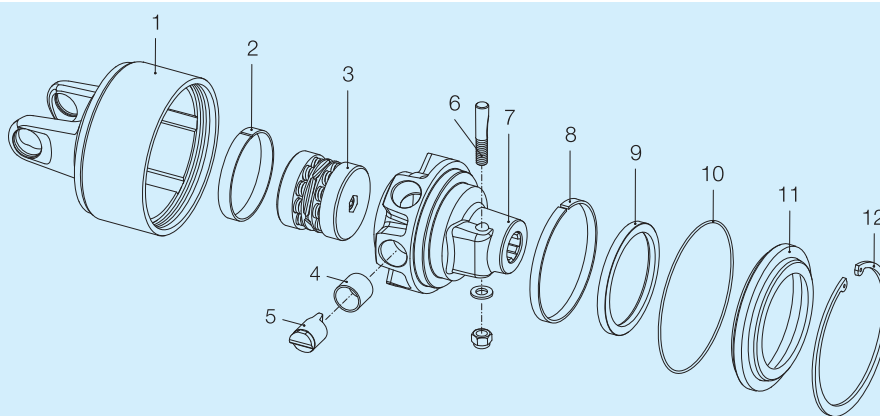
For primary drivelines, always install any torque limiter or overrunning clutch on the implement side.
 All rotating parts must be guarded.

Automatic torque limiter

LR35

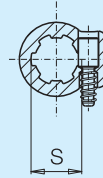
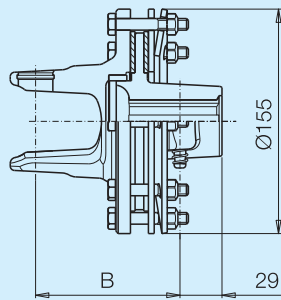


| Size | Torque Nm | B (mm) | | | | Spare parts code | | | |
|------|--------------|----------------|-----------------|----------------|-----------------|------------------|------------|------------|------------|
| | | S 1 3/8" Z6 | S 1 3/8" Z21 | S 1 3/4" Z6 | S 1 3/4" Z20 | 1 3/8" Z6 | 1 3/8" Z21 | 1 3/4" Z6 | 1 3/4" Z20 |
| 8 | 3500 | 192 | 192 | 192 | 192 | 6WM481003R | 6WM481037R | 6WM481004R | 6WM481038R |



| Ref. | Size | Spare parts code | Description | Technical data |
|------|------|------------------|---------------------------------|-------------------|
| 1 | 8 | 431084151R | Outer housing + yoke | |
| 2 | | 240000711R02 | Bushing | |
| 3 | | 421188101R | Spring pack | 3500 Nm |
| 4 | | 258000100R05 | Bushing | |
| 5 | | 250000101R05 | Cam | |
| 6 | | 408000047R02 | Taper pin | 1 3/8" Z6 - Z21 |
| | | 408000052R02 | | 1 3/4" Z6 - Z20 |
| 7 | | 515180301R | Hub with taper pin and bushings | 1 3/8" Z6 |
| | | 515183701R | | 1 3/8" Z21 |
| | | 515180401R | | 1 3/4" Z6 |
| | | 515183801R | | 1 3/4" Z20 |
| 8 | | 240000712R02 | Bushing | |
| 9 | | 355000105R02 | Sealing ring | 105 x 125 x 10 mm |
| 10 | | 358000007R02 | O-ring | 64.7 x 2.6 mm |
| 11 | | 240000710R02 | Locking plate | |
| 12 | | 338000162R20 | Snap ring | 162 x 4 DIN 472/1 |

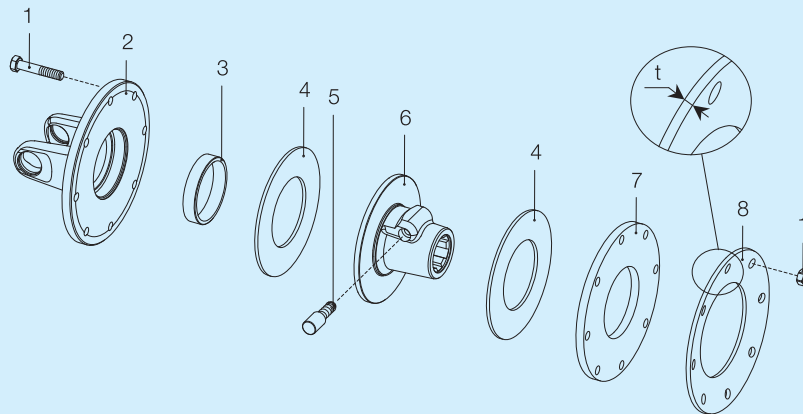
For primary drivelines, always install any torque limiter or overrunning clutch on the implement side.
All rotating parts must be guarded.



FV22
Adjustable setting

| Size | Torque Nm | B (mm) | | | | Spare parts code | | | |
|------|--------------|----------------|-----------------|----------------|-----------------|------------------|------------|-----------|------------|
| | | S 1 3/8" Z6 | S 1 3/8" Z21 | S 1 3/4" Z6 | S 1 3/4" Z20 | 1 3/8" Z6 | 1 3/8" Z21 | 1 3/4" Z6 | 1 3/4" Z20 |
| 1 | *400 | 92 | 92 | --- | --- | 661B24103R | 661B24137R | --- | --- |
| | 500 | | | | | 661B28103R | 661B28137R | --- | --- |
| 2 | *500 | 100 | 100 | --- | --- | 661C28103R | 661C28137R | --- | --- |
| | 600 | | | | | 661C32103R | 661C32137R | --- | --- |
| 43 | *600 | 101 | 101 | --- | --- | 661E32103R | 661E32137R | --- | --- |
| | 800 | | | | | 661E39103R | 661E39137R | --- | --- |
| 4 | 800 | 101 | 101 | --- | --- | 661E39103R | 661E39137R | --- | --- |

*Maximum recommended settings for 1000 min⁻¹ velocity.



| Ref. | Size | Spare parts code | Description | Technical data |
|------|------|------------------|-------------------|---------------------|
| 1 | | 432000003R08 | Bolt | M8 x 50 mm |
| 2 | 1 | 2530B8503R | Flange yoke | |
| | 2 | 2530C8503R | | |
| | 43-4 | 2530E8503R | | |
| 3 | | 258005320R02 | Bushing | |
| 4 | | 247006151R08 | Friction lining | D = 124 ; d = 67 mm |
| 5 | | 403000001R10 | Push-pin kit | 1 3/8" Z6 - Z21 |
| 6 | | 513850307R | Hub with push-pin | 1 3/8" Z6 |
| | | 513853707R | | 1 3/8" Z21 |
| 7 | | 2481A0001R02 | Pressure plate | Thickness = 4 mm |
| 8 | | 367005850R | Belleville spring | t = 3.75 mm |

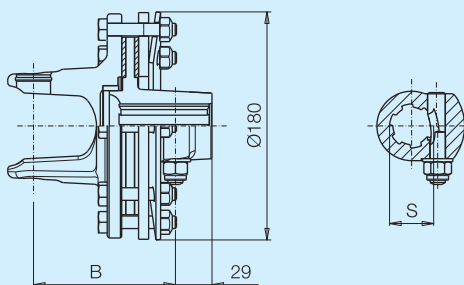
For primary drivelines, always install any torque limiter or overrunning clutch on the implement side.
All rotating parts must be guarded.

Friction torque limiters

100

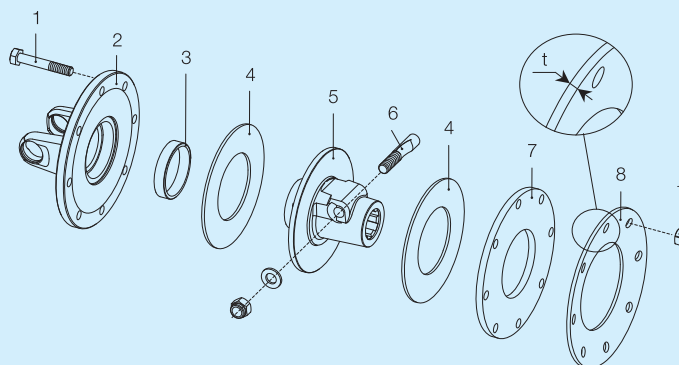
FV32

Adjustable setting



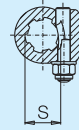
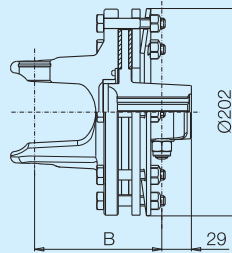
| Size | Torque Nm | B (mm) | | | | Spare parts code | | | |
|------|--------------|----------------|-----------------|----------------|-----------------|------------------|------------|-----------|------------|
| | | S 1 3/8" Z6 | S 1 3/8" Z21 | S 1 3/4" Z6 | S 1 3/4" Z20 | 1 3/8" Z6 | 1 3/8" Z21 | 1 3/4" Z6 | 1 3/4" Z20 |
| 4 | *900 | 113 | 113 | --- | --- | 661E41203R | 661E41237R | --- | --- |
| | 1000 | | | | | 661E44203R | 661E44237R | --- | --- |
| 5 | 900 | 117 | 117 | --- | --- | 661G41203R | 661G41237R | --- | --- |
| | 1000 | | | | | 661G44203R | 661G44237R | --- | --- |
| | *1100 | | | | | 661G46203R | 661G46237R | --- | --- |
| 6 | 900 | 124 | 124 | --- | --- | 661H41203R | 661H41237R | --- | --- |
| | 1000 | | | | | 661H44203R | 661H44237R | --- | --- |
| | *1100 | | | | | 661H46203R | 661H46237R | --- | --- |

*Maximum recommended settings for 1000 min⁻¹ velocity.



| Ref. | Size | Spare parts code | Description | Technical data |
|------|------|------------------|-------------------|---------------------|
| 1 | | 432000054R08 | Bolt | M10 x 55 mm |
| 2 | 4 | 253048602R | Flange yoke | |
| | 5 | 253058901R | | |
| | 6 | 253068903R | | |
| 3 | | 258005320R02 | Bushing | |
| 4 | | 247006251R08 | Friction lining | D = 141 ; d = 77 mm |
| 5 | | 515860305R | Hub with push pin | 1 3/8" Z6 |
| | | 515863705R | | 1 3/8" Z21 |
| 6 | | 408000047R02 | Taper pin | 1 3/8" Z6 - Z21 |
| 7 | | 248860007R02 | Pressure plate | Thickness = 8 mm |
| 8 | | 367008860R | Belleville spring | t = 3.75 mm |

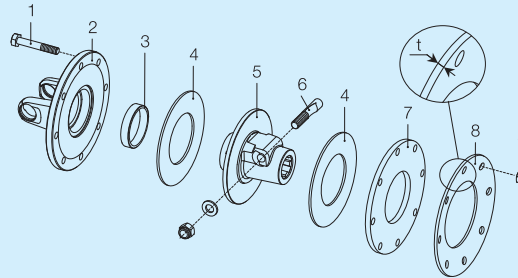
For primary drivelines, always install any torque limiter or overrunning clutch on the implement side. All rotating parts must be guarded.



FV42
Adjustable setting

| Size | Torque Nm | B (mm) | | | | Spare parts code | | | |
|------|--------------|----------------|-----------------|----------------|-----------------|------------------|------------|------------|------------|
| | | S 1 3/8" Z6 | S 1 3/8" Z21 | S 1 3/4" Z6 | S 1 3/4" Z20 | 1 3/8" Z6 | 1 3/8" Z21 | 1 3/4" Z6 | 1 3/4" Z20 |
| 5 | 1200 | 117 | 117 | 122 | 122 | 661G48403R | 661G48437R | 661G48404R | 661G48438R |
| 6 | *1200 | 125 | 125 | 130 | 130 | 661H48403R | 661H48437R | 661H48404R | 661H48438R |
| | 1350 | | | | | 661H51403R | 661H51437R | 661H51404R | 661H51438R |
| | 1450 | | | | | 661H53403R | 661H53437R | 661H53404R | 661H53438R |
| 7 | 1350 | 131 | 131 | 136 | 136 | 661L51403R | 661L51437R | 661L51404R | 661L51438R |
| | *1450 | | | | | 661L53403R | 661L53437R | 661L53404R | 661L53438R |
| | 1600 | | | | | 661L56403R | 661L56437R | 661L56404R | 661L56438R |
| | 1800 | | | | | 661L58403R | 661L58437R | 661L58404R | 661L58438R |
| 8 | 1350 | 133 | 133 | 138 | 138 | 661M51403R | 661M51437R | 661M51404R | 661M51438R |
| | *1450 | | | | | 661M53403R | 661M53437R | 661M53404R | 661M53438R |
| | 1600 | | | | | 661M56403R | 661M56437R | 661M56404R | 661M56438R |
| | 1800 | | | | | 661M58403R | 661M58437R | 661M58404R | 661M58438R |

*Maximum recommended settings for 1000 min⁻¹ velocity.



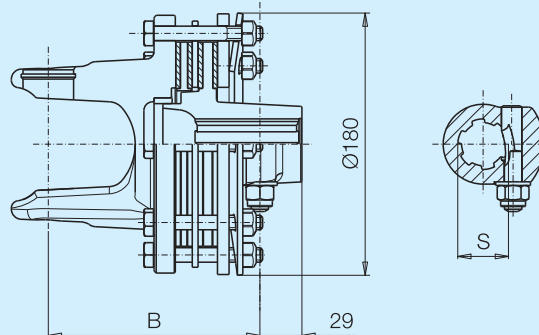
| Ref. | Size | Spare parts code | Description | Technical data |
|------|------|------------------|-------------------|---------------------|
| 1 | | 432000008R08 | Bolt | M10 x 60 mm |
| 2 | 5 | 253058701R | Flange yoke | |
| | 6 | 253069001R | | |
| | 7 | 253078702R | | |
| | 8 | 253089001R | | |
| 3 | | 258005320R02 | Bushing | |
| 4 | | 247006351R08 | Friction lining | D = 162 ; d = 85 mm |
| 5 | | 515870305R | Hub with push pin | 1 3/8" Z6 |
| | | 515873705R | | 1 3/8" Z21 |
| | | 515870405R | | 1 3/4" Z6 |
| | | 515873805R | | 1 3/4" Z20 |
| 6 | | 408000047R02 | Taper pin | 1 3/8" Z6 - Z21 |
| | | 408000046R02 | | 1 3/4" Z6 - Z20 |
| 7 | | 248870007R | Pressure plate | Thickness = 8 mm |
| 8 | | 367009870R | Belleville spring | t = 4.25 mm |

Friction torque limiters

100

FV34

Adjustable setting

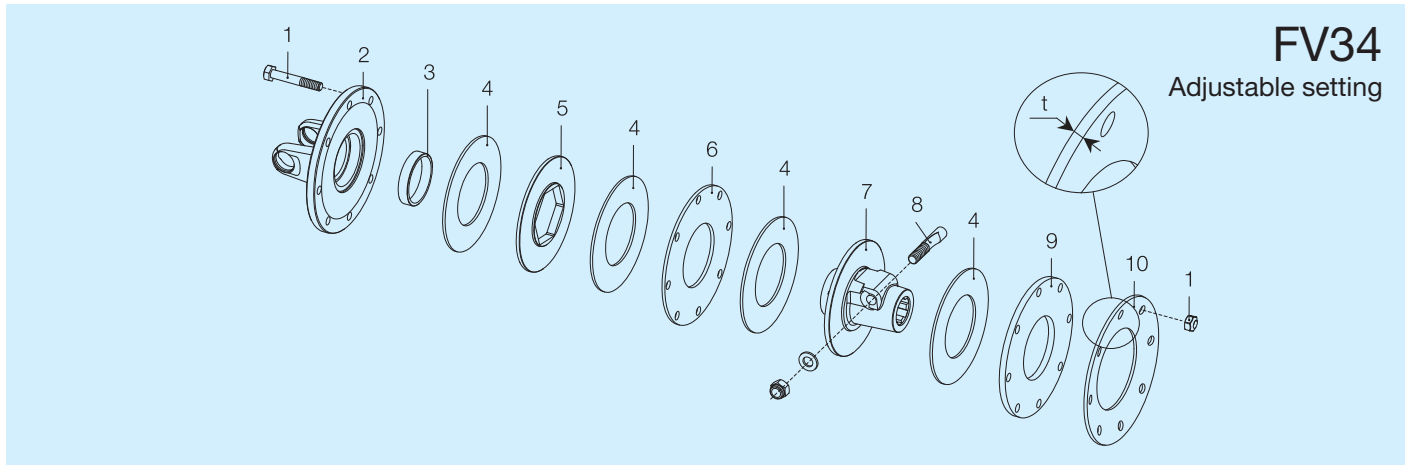


| Size | Torque Nm | B (mm) | | | | Spare parts code | | | |
|------|--------------|----------------|-----------------|----------------|-----------------|------------------|------------|------------|------------|
| | | S 1 3/8" Z6 | S 1 3/8" Z21 | S 1 3/4" Z6 | S 1 3/4" Z20 | 1 3/8" Z6 | 1 3/8" Z21 | 1 3/4" Z6 | 1 3/4" Z20 |
| 5 | 1200 | 133 | 133 | 138 | 138 | 661G48303R | 661G48337R | 661G48304R | 661G48338R |
| 6 | *1200 | 140 | 140 | 145 | 145 | 661H48303R | 661H48337R | 661H48304R | 661H48338R |
| | 1350 | | | | | 661H51303R | 661H51337R | 661H51304R | 661H51338R |
| | 1450 | | | | | 661H53303R | 661H53337R | 661H53304R | 661H53338R |
| 7 | 1350 | 146 | 146 | 151 | 151 | 661L51303R | 661L51337R | 661L51304R | 661L51338R |
| | *1450 | | | | | 661L53303R | 661L53337R | 661L53304R | 661L53338R |
| | 1600 | | | | | 661L56303R | 661L56337R | 661L56304R | 661L56338R |
| | 1800 | | | | | 661L58303R | 661L58337R | 661L58304R | 661L58338R |
| 8 | *1800 | 148 | 148 | 153 | 153 | 661M58303R | 661M58337R | 661M58304R | 661M58338R |
| | 2000 | | | | | 661M60303R | 661M60337R | 661M60304R | 661M60338R |


*Maximum recommended settings for 1000 min⁻¹ velocity.



For primary drivelines, always install any torque limiter or overrunning clutch on the implement side.
All rotating parts must be guarded.



| Ref. | Size | Spare parts code | Description | Technical data |
|------|------|------------------|-------------------|---------------------|
| 1 | | 432000114R08 | Bolt | M10 x 75 mm |
| 2 | 5 | 253058901R | Flange yoke | |
| | 6 | 253068903R | | |
| | 7 | 253078601R | | |
| | 8 | 253088903R | | |
| 3 | | 258005320R02 | Bushing | |
| 4 | | 247006251R08 | Friction lining | D = 141 ; d = 77 mm |
| 5 | | 248727702R02 | Driving plate | |
| 6 | | 248860001R02 | Inner plate | Thickness = 4 mm |
| 7 | | 515890305R | Hub with push pin | 1 3/8" Z6 |
| | | 515893705R | | 1 3/8" Z21 |
| | | 515890405R | | 1 3/4" Z6 |
| | | 515893805R | | 1 3/4" Z20 |
| 8 | | 408000047R02 | Taper pin | 1 3/8" Z6 - Z21 |
| | | 408000049R02 | | 1 3/4" Z6 - Z20 |
| 9 | | 248860007R02 | Pressure plate | Thickness = 8 mm |
| 10 | | 367008860R | Belleville spring | t = 3.75 mm |

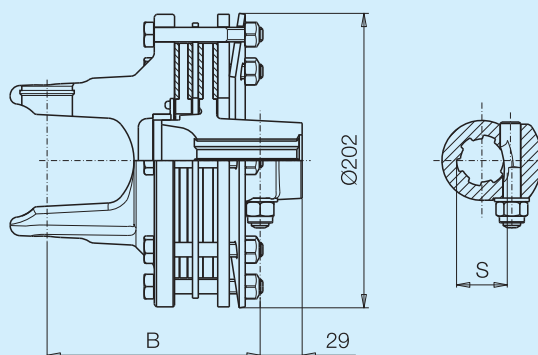
 For primary drivelines, always install any torque limiter or overrunning clutch on the implement side.
 All rotating parts must be guarded.

Friction torque limiters

100


FV44

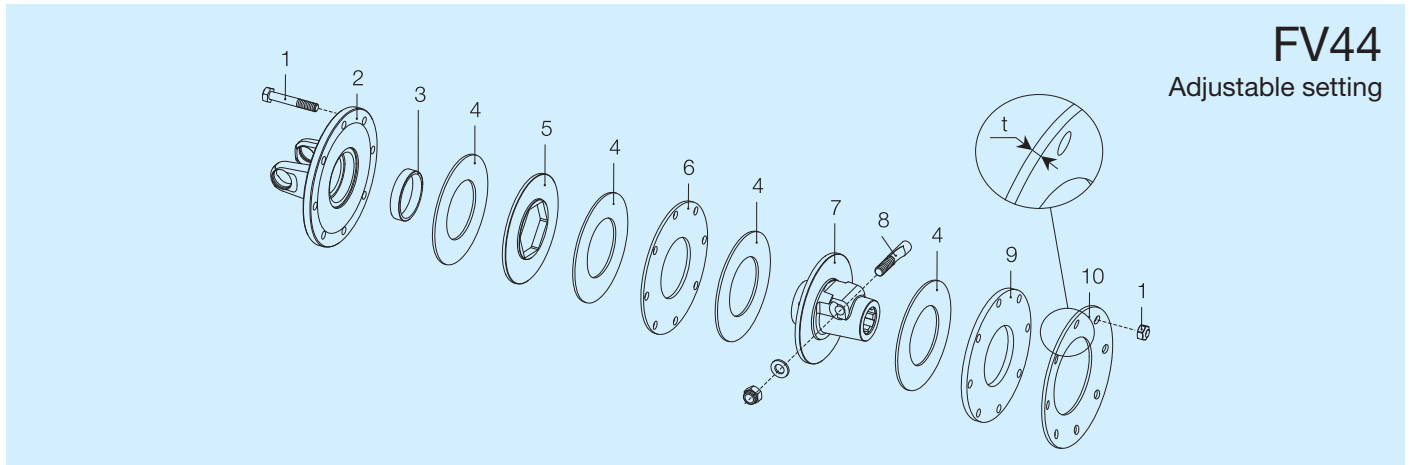
Adjustable setting



| Size | Torque Nm | B (mm) | | | | Spare parts code | | | |
|------|--------------|----------------|-----------------|----------------|-----------------|------------------|------------|------------|------------|
| | | S 1 3/8" Z6 | S 1 3/8" Z21 | S 1 3/4" Z6 | S 1 3/4" Z20 | 1 3/8" Z6 | 1 3/8" Z21 | 1 3/4" Z6 | 1 3/4" Z20 |
| 7 | 1800 | 147 | 147 | 152 | 152 | 661L58503R | 661L58537R | 661L58504R | 661L58538R |
| 8 | *1800 | 149 | 149 | 154 | 154 | 661M58503R | 661M58537R | 661M58504R | 661M58538R |
| | 2000 | | | | | 661M60503R | 661M60537R | 661M60504R | 661M60538R |
| | 2200 | | | | | 661M62503R | 661M62537R | 661M62504R | 661M62538R |


*Maximum recommended settings for 1000 min⁻¹ velocity.

 For primary drivelines, always install any torque limiter or overrunning clutch on the implement side. All rotating parts must be guarded.



FV44
Adjustable setting

| Ref. | Size | Spare parts code | Description | Technical data |
|------|------|------------------|-------------------|---------------------|
| 1 | | 432000114R08 | Bolt | M10 x 75 mm |
| 2 | 7 | 253078702R | Flange yoke | |
| | 8 | 253089001R | | |
| 3 | | 258005320R02 | Bushing | |
| 4 | | 247006351R08 | Friction lining | D = 162 ; d = 85 mm |
| 5 | | 248737702R02 | Driving plate | |
| 6 | | 248870011R02 | Inner plate | Thickness = 4 mm |
| 7 | | 515900305R | Hub with push pin | 1 3/8" Z6 |
| | | 515903705R | | 1 3/8" Z21 |
| | | 515900405R | | 1 3/4" Z6 |
| | | 515903805R | | 1 3/4" Z20 |
| 8 | | 408000047R02 | Taper pin | 1 3/8" Z6 - Z21 |
| | | 408000046R02 | | 1 3/4" Z6 - Z20 |
| 9 | | 248870007R | Pressure plate | Thickness = 8 mm |
| 10 | | 367009870R | Belleville spring | t = 4.25 mm |

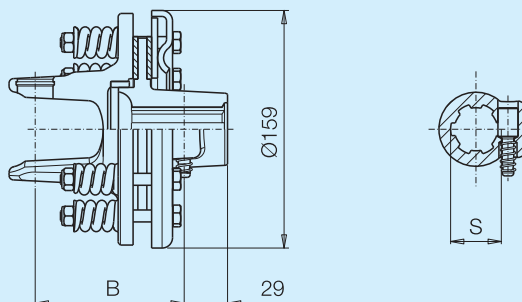
 For primary drivelines, always install any torque limiter or overrunning clutch on the implement side.
 All rotating parts must be guarded.

Friction torque limiters

100

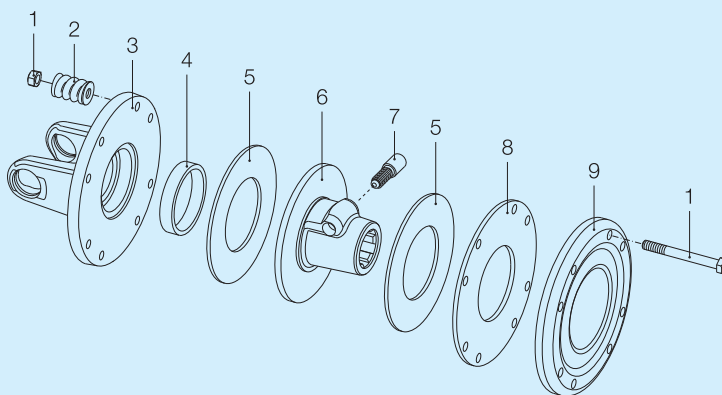
FFV22

Adjustable setting



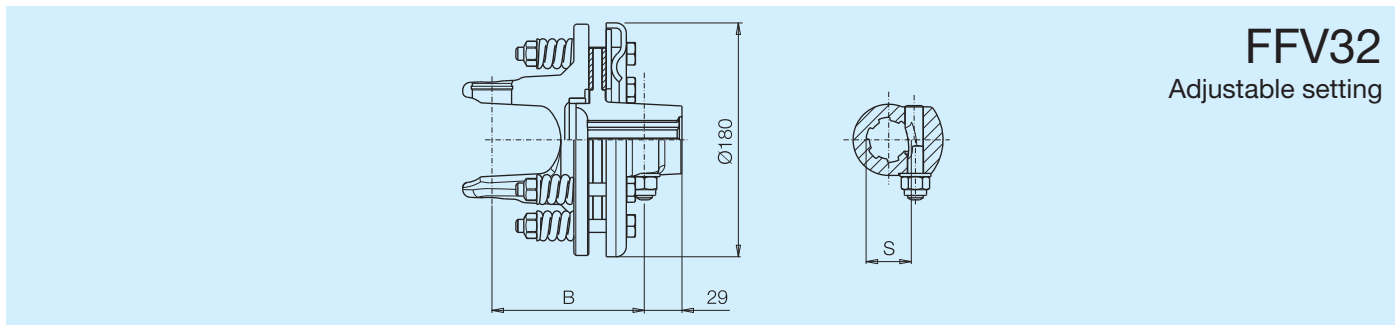
| Size | Torque Nm | B (mm) | | | | Spare parts code | | | |
|------|--------------|----------------|-----------------|----------------|-----------------|------------------|------------|-----------|------------|
| | | S 1 3/8" Z6 | S 1 3/8" Z21 | S 1 3/4" Z6 | S 1 3/4" Z20 | 1 3/8" Z6 | 1 3/8" Z21 | 1 3/4" Z6 | 1 3/4" Z20 |
| 1 | *400 | 92 | 92 | --- | --- | 635B24103R | 635B24137R | --- | --- |
| | 500 | | | | | 635B28103R | 635B28137R | --- | --- |
| 2 | *500 | 100 | 100 | --- | --- | 635C28103R | 635C28137R | --- | --- |
| | 600 | | | | | 635C32103R | 635C32137R | --- | --- |
| 43 | *600 | 101 | 101 | --- | --- | 635E32103R | 635E32137R | --- | --- |
| | 800 | | | | | 635E39103R | 635E39137R | --- | --- |
| 4 | 800 | 101 | 101 | | | 635E39103R | 635E39137R | --- | --- |

*Maximum recommended settings for 1000 min⁻¹ velocity.



| Ref. | Size | Spare parts code | Description | Technical data |
|------|------|------------------|-------------------|---------------------|
| 1 | | 432000031R08 | Bolt | M8 x 75 mm |
| 2 | | 351015001R08 | Coil springs | f = 6 mm |
| 3 | 1 | 2530B1A05R | Flange yoke | |
| | 2 | 2530C1A05R | | |
| | 43-4 | 2530E1A05R | | |
| 4 | | 258005320R02 | Bushing | |
| 5 | | 247006151R08 | Friction lining | D = 124 ; d = 67 mm |
| 6 | | 513850307R | Hub with push-pin | 1 3/8" Z6 |
| | | 513853707R | | 1 3/8" Z21 |
| 7 | | 403000001R10 | Push-pin kit | 1 3/8" Z6 - Z21 |
| 8 | | 2481A0007R02 | Inner plate | Thickness = 4 mm |
| 9 | | 2481A0006R02 | Pressure plate | |

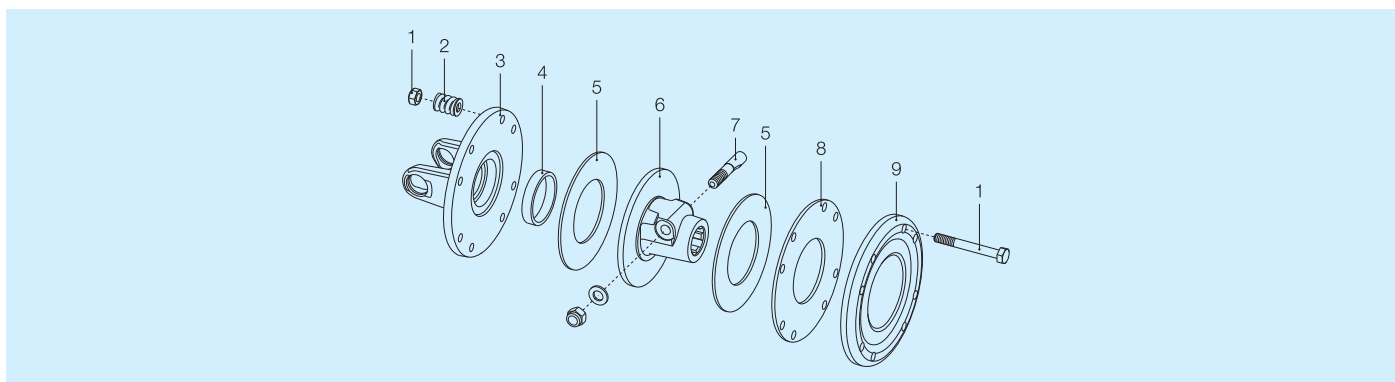
For primary drivelines, always install any torque limiter or overrunning clutch on the implement side. All rotating parts must be guarded.



FFV32
Adjustable setting

| Size | Torque Nm | B (mm) | | | | Spare parts code | | | |
|------|--------------|----------------|-----------------|----------------|-----------------|------------------|------------|-----------|------------|
| | | S 1 3/8" Z6 | S 1 3/8" Z21 | S 1 3/4" Z6 | S 1 3/4" Z20 | 1 3/8" Z6 | 1 3/8" Z21 | 1 3/4" Z6 | 1 3/4" Z20 |
| 4 | *900 | 113 | 113 | --- | --- | 635E41203R | 635E41237R | --- | --- |
| | 1000 | | | | | 635E44203R | 635E44237R | --- | --- |
| 5 | 900 | 117 | 117 | --- | --- | 635G41203R | 635G41237R | --- | --- |
| | 1000 | | | | | 635G44203R | 635G44237R | --- | --- |
| | *1100 | | | | | 635G46203R | 635G46237R | --- | --- |
| 6 | 900 | 124 | 124 | --- | --- | 635H41203R | 635H41237R | --- | --- |
| | 1000 | | | | | 635H44203R | 635H44237R | --- | --- |
| | *1100 | | | | | 635H46203R | 635H46237R | --- | --- |

*Maximum recommended settings for 1000 min⁻¹ velocity.



| Ref. | Size | Spare parts code | Description | Technical data |
|------|------|------------------|-------------------|---------------------|
| 1 | | 432000006R08 | Bolt | M10 x 85 mm |
| 2 | | 351022370R08 | Coil springs | f = 6 mm |
| 3 | 4 | 2530E1C05R | Flange yoke | |
| | 5 | 2530G1C05R | | |
| | 6 | 2530H1C05R | | |
| 4 | | 258005320R02 | Bushing | |
| 5 | | 247006251R08 | Friction lining | D = 141 ; d = 77 mm |
| 6 | | 515860305R | Hub with push pin | 1 3/8" Z6 |
| | | 515863705R | | 1 3/8" Z21 |
| 7 | | 408000047R02 | Taper pin | 1 3/8" Z6 - Z21 |
| 8 | | 2481C0007R02 | Inner plate | Thickness = 4 mm |
| 9 | | 248220007R02 | Pressure plate | |

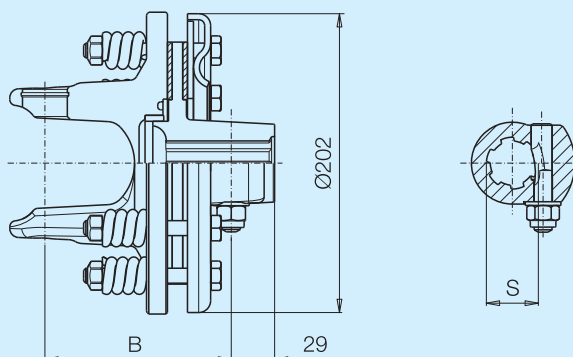
For primary drivelines, always install any torque limiter or overrunning clutch on the implement side.
 All rotating parts must be guarded.

Friction torque limiters

100

FFV42

Adjustable setting



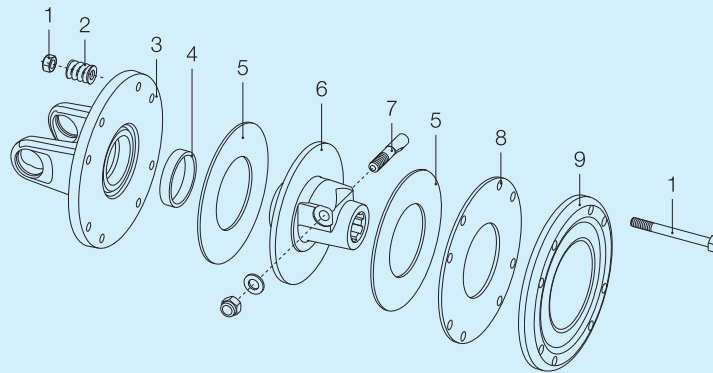
| Size | Torque Nm | B (mm) | | | | Spare parts code | | | |
|------|--------------|----------------|-----------------|----------------|-----------------|------------------|------------|------------|------------|
| | | S 1 3/8" Z6 | S 1 3/8" Z21 | S 1 3/4" Z6 | S 1 3/4" Z20 | 1 3/8" Z6 | 1 3/8" Z21 | 1 3/4" Z6 | 1 3/4" Z20 |
| 5 | 1200 | 117 | 117 | 122 | 122 | 635G48403R | 635G48437R | 635G48404R | 635G48438R |
| 6 | *1200 | 125 | 125 | 130 | 130 | 635H48403R | 635H48437R | 635H48404R | 635H48438R |
| | 1350 | | | | | 635H51403R | 635H51437R | 635H51404R | 635H51438R |
| | 1450 | | | | | 635H53403R | 635H53437R | 635H53404R | 635H53438R |
| 7 | 1350 | 131 | 131 | 136 | 136 | 635L51403R | 635L51437R | 635L51404R | 635L51438R |
| | *1450 | | | | | 635L53403R | 635L53437R | 635L53404R | 635L53438R |
| | 1600 | | | | | 635L56403R | 635L56437R | 635L56404R | 635L56438R |
| | 1800 | | | | | 635L58403R | 635L58437R | 635L58404R | 635L58438R |
| 8 | 1350 | 133 | 133 | 138 | 138 | 635M51403R | 635M51437R | 635M51404R | 635M51438R |
| | *1450 | | | | | 635M53403R | 635M53437R | 635M53404R | 635M53438R |
| | 1600 | | | | | 635M56403R | 635M56437R | 635M56404R | 635M56438R |
| | 1800 | | | | | 635M58403R | 635M58437R | 635M58404R | 635M58438R |

*Maximum recommended settings for 1000 min⁻¹ velocity.



For primary drivelines, always install any torque limiter or overrunning clutch on the implement side.
All rotating parts must be guarded.

FFV42
 Adjustable setting



| Ref. | Size | Spare parts code | Description | Technical data |
|------|------|------------------|-------------------|---------------------|
| 1 | | 432000006R08 | Bolt | M10 x 85 mm |
| 2 | | 351013370R08 | Coil springs | f = 7 mm |
| 3 | 5 | 2530G1E05R | Flange yoke | |
| | 6 | 2530H1E05R | | |
| | 7 | 2530L1E05R | | |
| | 8 | 2530M1E05R | | |
| 4 | | 258005320R02 | Bushing | |
| 5 | | 247006351R08 | Friction lining | D = 162 ; d = 85 mm |
| 6 | | 515870305R | Hub with push pin | 1 3/8" Z6 |
| | | 515873705R | | 1 3/8" Z21 |
| | | 515870405R | | 1 3/4" Z6 |
| | | 515873805R | | 1 3/4" Z20 |
| 7 | | 408000047R02 | Taper pin | 1 3/8" Z6 - Z21 |
| | | 408000046R02 | | 1 3/4" Z6 - Z20 |
| 8 | | 2481E0007R02 | Inner plate | Thickness = 4 mm |
| 9 | | 248230006R02 | Pressure plate | |



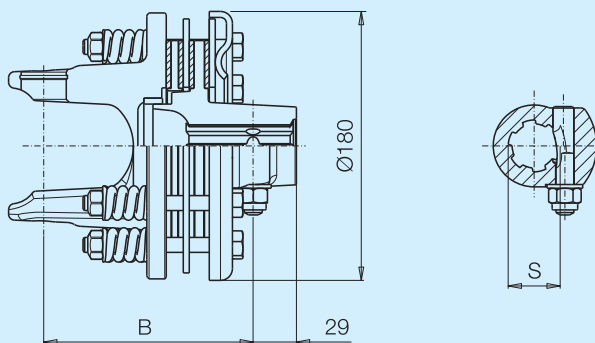
For primary drivelines, always install any torque limiter or overrunning clutch on the implement side.
 All rotating parts must be guarded.

Friction torque limiters

100

FFV34

Adjustable setting

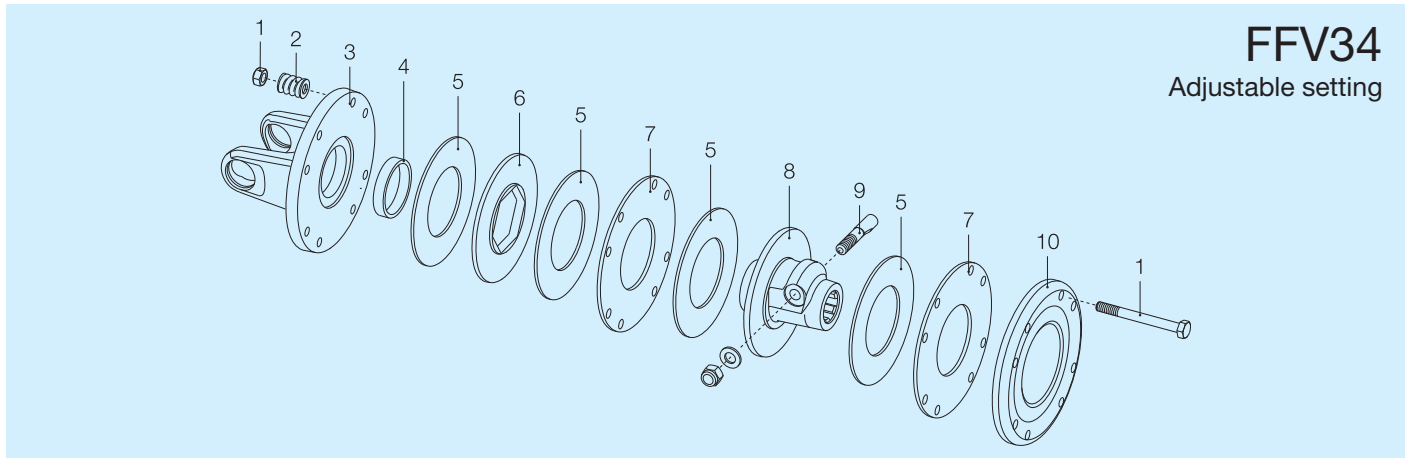


| Size | Torque Nm | B (mm) | | | | Spare parts code | | | |
|------|--------------|----------------|-----------------|----------------|-----------------|------------------|------------|------------|------------|
| | | S 1 3/8" Z6 | S 1 3/8" Z21 | S 1 3/4" Z6 | S 1 3/4" Z20 | 1 3/8" Z6 | 1 3/8" Z21 | 1 3/4" Z6 | 1 3/4" Z20 |
| 5 | 1200 | 133 | 133 | 138 | 138 | 635G48303R | 635G48337R | 635G48304R | 635G48338R |
| 6 | *1200 | 140 | 140 | 145 | 145 | 635H48303R | 635H48337R | 635H48304R | 635H48338R |
| | 1350 | | | | | 635H51303R | 635H51337R | 635H51304R | 635H51338R |
| | 1450 | | | | | 635H53303R | 635H53337R | 635H53304R | 635H53338R |
| 7 | 1350 | 146 | 146 | 151 | 151 | 635L51303R | 635L51337R | 635L51304R | 635L51338R |
| | *1450 | | | | | 635L53303R | 635L53337R | 635L53304R | 635L53338R |
| | 1600 | | | | | 635L56303R | 635L56337R | 635L56304R | 635L56338R |
| | 1800 | | | | | 635L58303R | 635L58337R | 635L58304R | 635L58338R |
| 8 | *1800 | 148 | 148 | 153 | 153 | 635M58303R | 635M58337R | 635M58304R | 635M58338R |
| | 2000 | | | | | 635M60303R | 635M60337R | 635M60304R | 635M60338R |

*Maximum recommended settings for 1000 min⁻¹ velocity.




For primary drivelines, always install any torque limiter or overrunning clutch on the implement side. All rotating parts must be guarded.



FFV34
Adjustable setting

| Ref. | Size | Spare parts code | Description | Technical data |
|------|------|------------------|--------------------|---------------------|
| 1 | | 432000007R08 | Bolt | M10 x 100 mm |
| 2 | | 351022370R08 | Coil springs | f = 6 mm |
| 3 | 5 | 2530G1C05R | Flange yoke | |
| | 6 | 2530H1C05R | | |
| | 7 | 2530L1C05R | | |
| | 8 | 2530M1C05R | | |
| 4 | | 258005320R02 | Bushing | |
| 5 | | 247006251R08 | Friction lining | D = 141 ; d = 77 mm |
| 6 | | 248727702R02 | Driving disc | |
| 7 | | 2481C0007R02 | Inner plate | Thickness = 4 mm |
| 8 | | 515890305R | Hub with taper pin | 1 3/8" Z6 |
| | | 515893705R | | 1 3/8" Z21 |
| | | 515890405R | | 1 3/4" Z6 |
| | | 515893805R | | 1 3/4" Z20 |
| 9 | | 408000047R02 | Taper pin | 1 3/8" Z6 - Z21 |
| | | 408000049R02 | | 1 3/4" Z6 - Z20 |
| 10 | | 248220007R02 | Pressure plate | |

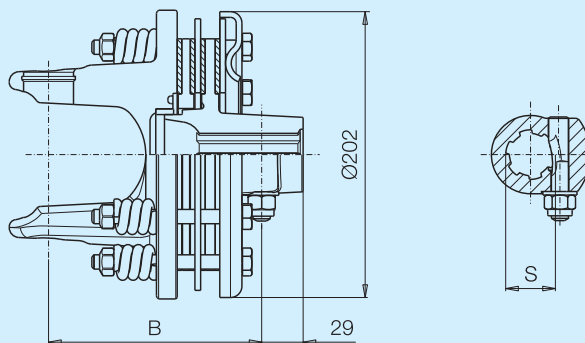
 For primary drivelines, always install any torque limiter or overrunning clutch on the implement side.
 All rotating parts must be guarded.

Friction torque limiters

100

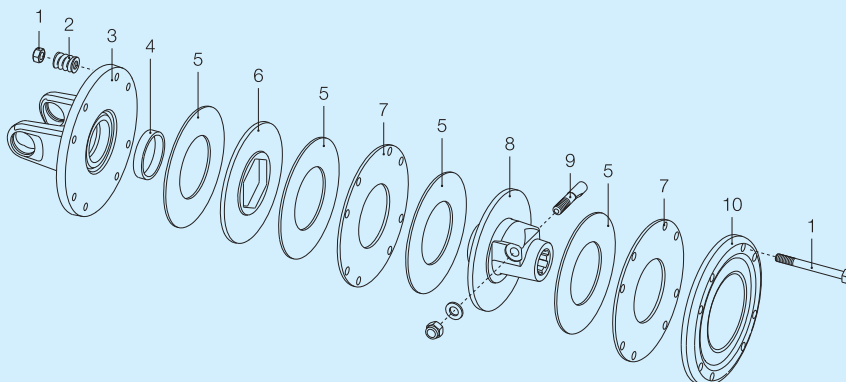
FFV44

Adjustable setting

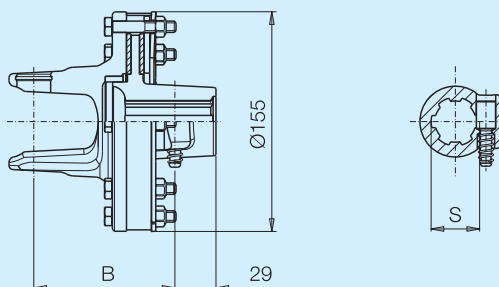


| Size | Torque Nm | B (mm) | | | | Spare parts code | | | |
|------|--------------|----------------|-----------------|----------------|-----------------|------------------|------------|------------|------------|
| | | S 1 3/8" Z6 | S 1 3/8" Z21 | S 1 3/4" Z6 | S 1 3/4" Z20 | 1 3/8" Z6 | 1 3/8" Z21 | 1 3/4" Z6 | 1 3/4" Z20 |
| 7 | 1800 | 147 | 147 | 152 | 152 | 635L58503R | 635L58537R | 635L58504R | 635L58538R |
| 8 | *1800 | 149 | 149 | 154 | 154 | 635M58503R | 635M58537R | 635M58504R | 635M58538R |
| | 2000 | | | | | 635M60503R | 635M60537R | 635M60504R | 635M60538R |
| | 2200 | | | | | 635M62503R | 635M62537R | 635M62504R | 635M62538R |

*Maximum recommended settings for 1000 min⁻¹ velocity.



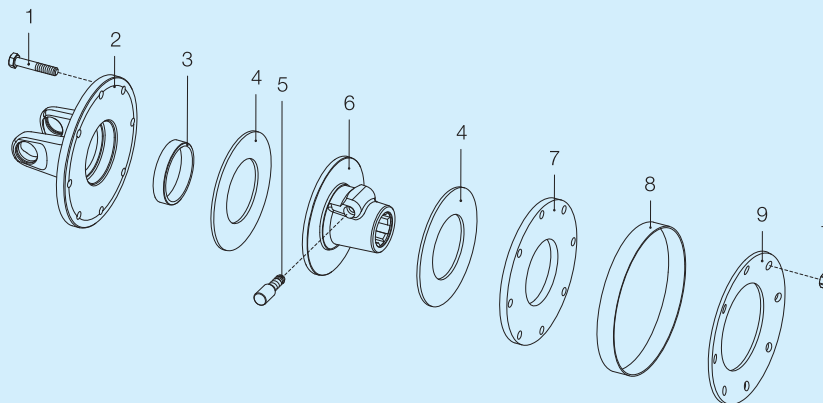
| Ref. | Size | Spare parts code | Description | Technical data |
|------|------|------------------|--------------------|---------------------|
| 1 | | 432000122R08 | Bolt | M10 x 105 mm |
| 2 | | 351013370R08 | Coil springs | f = 7 mm |
| 3 | 7 | 2530L1E05R | Flange yoke | |
| | 8 | 2530M1E05R | | |
| 4 | | 258005320R02 | Bushing | |
| 5 | | 247006351R08 | Friction lining | D = 162 ; d = 85 mm |
| 6 | | 248737702R02 | Driving disc | |
| 7 | | 2481E0007R02 | Inner plate | Thickness = 4 mm |
| 8 | | 515900305R | Hub with taper pin | 1 3/8" Z6 |
| | | 515903705R | | 1 3/8" Z21 |
| | | 515900405R | | 1 3/4" Z6 |
| | | 515903805R | | 1 3/4" Z20 |
| 9 | | 408000047R02 | Taper pin | 1 3/8" Z6 - Z21 |
| | | 408000046R02 | | 1 3/4" Z6 - Z20 |
| 10 | | 248230006R02 | Pressure plate | |



FT22
 Non-adjustable setting

| Size | Torque Nm | B (mm) | | | | Spare parts code | | | |
|------|--------------|----------------|-----------------|----------------|-----------------|------------------|------------|-----------|------------|
| | | S 1 3/8" Z6 | S 1 3/8" Z21 | S 1 3/4" Z6 | S 1 3/4" Z20 | 1 3/8" Z6 | 1 3/8" Z21 | 1 3/4" Z6 | 1 3/4" Z20 |
| 1 | *400 | 92 | 92 | --- | --- | 663B24103R | 663B24137R | --- | --- |
| | 500 | | | | | 663B28103R | 663B28137R | --- | --- |
| 2 | *500 | 100 | 100 | --- | --- | 663C28103R | 663C28137R | --- | --- |
| | 600 | | | | | 663C32103R | 663C32137R | --- | --- |
| 43 | *600 | 101 | 101 | --- | --- | 663E32103R | 663E32137R | --- | --- |
| | 800 | | | | | 663E39103R | 663E39137R | --- | --- |
| 4 | 800 | 101 | 101 | --- | --- | 663E39103R | 663E39137R | --- | --- |

*Maximum recommended settings for 1000 min⁻¹ velocity.



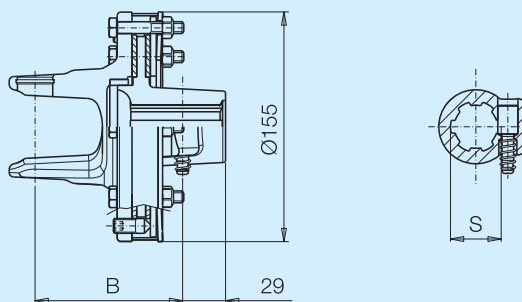
| Ref. | Size | Spare parts code | Description | Technical data |
|------|------|------------------|-------------------|---------------------|
| 1 | | 432000047R08 | Bolt | M8 x 75 mm |
| 2 | 1 | 2530B8503R | Flange yoke | |
| | 2 | 2530C8503R | | |
| | 43-4 | 2530E8503R | | |
| 3 | | 258005320R02 | Bushing | |
| 4 | | 247006151R08 | Friction lining | D = 124 ; d = 67 mm |
| 5 | | 403000001R10 | Push-pin kit | 1 3/8" Z6 - Z21 |
| 6 | | 513850307R | Hub with push-pin | 1 3/8" Z6 |
| | | 513853707R | | 1 3/8" Z21 |
| 7 | | 2481A0002R02 | Pressure plate | Thickness = 4 mm |
| 8 | | 240001059R02 | Adjustment band | |
| 9 | | 367FT220A | Belleville spring | 400 Nm |
| | | 367FT220C | | 500 Nm |
| | | 367FT220D | | 600 Nm |
| | | 367FT220E | | 800 Nm |

Friction torque limiters

100

FT22R

Non-adjustable setting

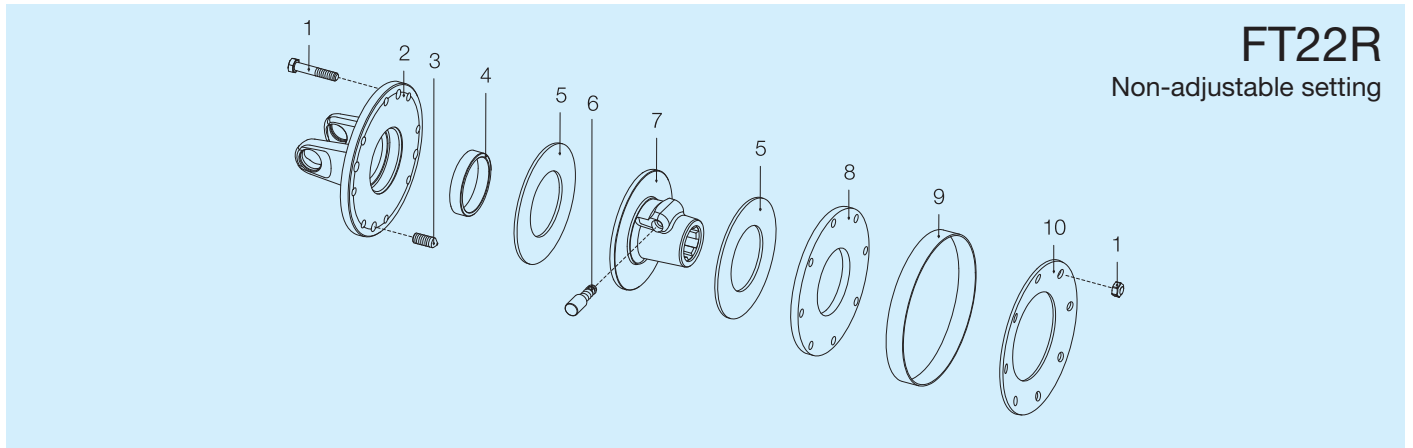


| Size | Torque Nm | B (mm) | | | | Spare parts code | | | |
|------|--------------|----------------|-----------------|----------------|-----------------|------------------|------------|-----------|------------|
| | | S 1 3/8" Z6 | S 1 3/8" Z21 | S 1 3/4" Z6 | S 1 3/4" Z20 | 1 3/8" Z6 | 1 3/8" Z21 | 1 3/4" Z6 | 1 3/4" Z20 |
| 1 | *400 | 92 | 92 | --- | --- | 663B24A03R | 663B24A37R | --- | --- |
| | 500 | | | | | 663B28A03R | 663B28A37R | --- | --- |
| 2 | *500 | 100 | 100 | --- | --- | 663C28A03R | 663C28A37R | --- | --- |
| | 600 | | | | | 663C32A03R | 663C32A37R | --- | --- |
| 43 | *600 | 101 | 101 | --- | --- | 663E32A03R | 663E32A37R | --- | --- |
| | 800 | | | | | 663E39A03R | 663E39A37R | --- | --- |
| 4 | 800 | 101 | 101 | --- | --- | 663E39A03R | 663E39A37R | --- | --- |


*Maximum recommended settings for 1000 min⁻¹ velocity.



For primary drivelines, always install any torque limiter or overrunning clutch on the implement side.
All rotating parts must be guarded.

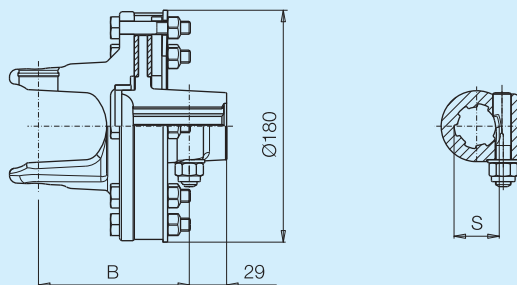


| Ref. | Size | Spare parts code | Description | Technical data |
|------|------|------------------|-------------------------------|---------------------|
| 1 | | 432000047R08 | Bolt | M8 x 45 mm |
| 2 | 1 | 2530B8504R | Flange yoke | |
| | 2 | 2530C8504R | | |
| | 43-4 | 2530E8504R | | |
| 3 | | 310001300R04 | Special socket head set screw | M10 x 25 mm |
| 4 | | 258005320R02 | Bushing | |
| 5 | | 247006151R08 | Friction lining | D = 124 ; d = 67 mm |
| 6 | | 403000001R10 | Push-pin kit | 1 3/8" Z6 - Z21 |
| 7 | | 513850307R | Hub with push-pin | 1 3/8" Z6 |
| | | 513853707R | | 1 3/8" Z21 |
| 8 | | 2481A0002R02 | Pressure plate | Thickness = 4 mm |
| 9 | | 240001059R02 | Adjustment band | |
| 10 | | 367FT220A | Belleville spring | 400 Nm |
| | | 367FT220C | | 500 Nm |
| | | 367FT220D | | 600 Nm |
| | | 367FT220E | | 800 Nm |

 For primary drivelines, always install any torque limiter or overrunning clutch on the implement side.
 All rotating parts must be guarded.

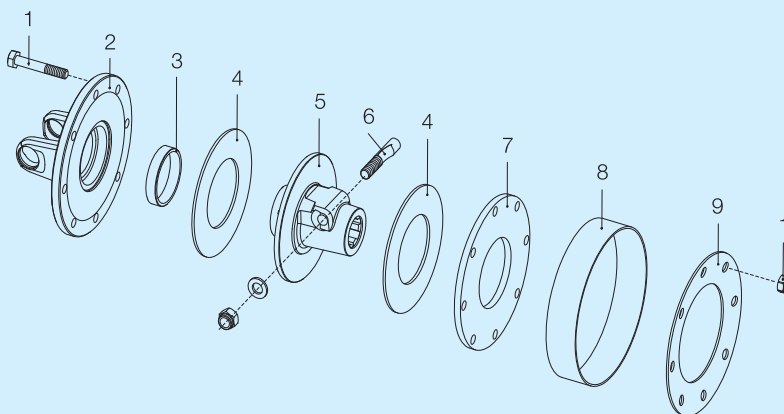
FT32

Non-adjustable setting



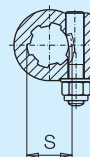
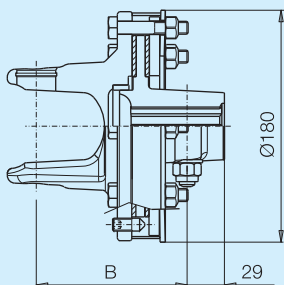
| Size | Torque Nm | B (mm) | | | | Spare parts code | | | |
|------|--------------|----------------|-----------------|----------------|-----------------|------------------|------------|-----------|------------|
| | | S 1 3/8" Z6 | S 1 3/8" Z21 | S 1 3/4" Z6 | S 1 3/4" Z20 | 1 3/8" Z6 | 1 3/8" Z21 | 1 3/4" Z6 | 1 3/4" Z20 |
| 4 | *900 | 113 | 113 | --- | --- | 663E41203R | 663E41237R | --- | --- |
| | 1000 | | | | | 663E44203R | 663E44237R | --- | --- |
| 5 | 900 | 117 | 117 | --- | --- | 663G41203R | 663G41237R | --- | --- |
| | 1000 | | | | | 663G44203R | 663G44237R | --- | --- |
| | *1100 | | | | | 663G46203R | 663G46237R | --- | --- |

*Maximum recommended settings for 1000 min⁻¹ velocity.



| Ref. | Size | Spare parts code | Description | Technical data |
|------|------|------------------|--------------------|---------------------|
| 1 | | 432000054R08 | Bolt | M10 x 85 mm |
| 2 | 4 | 253048602R | Flange yoke | |
| | 5 | 253058901R | | |
| 3 | | 258005320R02 | Bushing | |
| 4 | | 247006251R08 | Friction lining | D = 141 ; d = 77 mm |
| 5 | | 515860305R | Hub with taper pin | 1 3/8" Z6 |
| | | 515863705R | | 1 3/8" Z21 |
| 6 | | 408000047R02 | Taper pin | 1 3/8" Z6 - Z21 |
| 7 | | 248860005R02 | Pressure plate | Thickness = 8 mm |
| 8 | | 240000213R02 | Adjustment band | |
| 9 | | 367FT320A | Belleville spring | 900 Nm |
| | | 367FT320C | | 1000 Nm |
| | | 367FT320D | | 1100 Nm |

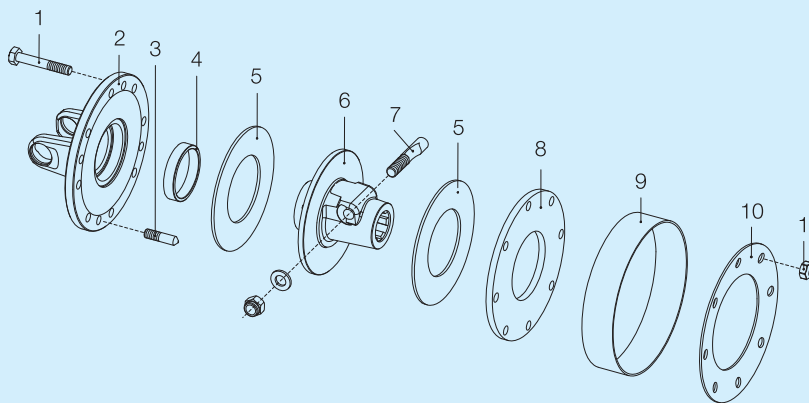
For primary drivelines, always install any torque limiter or overrunning clutch on the implement side.
 All rotating parts must be guarded.



FT32R
 Non-adjustable setting

| Size | Torque Nm | B (mm) | | | | Spare parts code | | | |
|------|--------------|----------------|-----------------|----------------|-----------------|------------------|------------|-----------|------------|
| | | S 1 3/8" Z6 | S 1 3/8" Z21 | S 1 3/4" Z6 | S 1 3/4" Z20 | 1 3/8" Z6 | 1 3/8" Z21 | 1 3/4" Z6 | 1 3/4" Z20 |
| 4 | *900 | 113 | 113 | --- | --- | 663E41C03R | 663E41C37R | --- | --- |
| | 1000 | | | | | 663E44C03R | 663E44C37R | --- | --- |
| 5 | 900 | 117 | 117 | --- | --- | 663G41C03R | 663G41C37R | --- | --- |
| | 1000 | | | | | 663G44C03R | 663G44C37R | --- | --- |
| | *1100 | | | | | 663G46C03R | 663G46C37R | --- | --- |

*Maximum recommended settings for 1000 min⁻¹ velocity.



| Ref. | Size | Spare parts code | Description | Technical data |
|------|------|------------------|-------------------------------|---------------------|
| 1 | | 432000054R08 | Bolt | M10 x 55 mm |
| 2 | 4 | 2530E8605R | Flange yoke | |
| | 5 | 2530G8605R | | |
| 3 | | 310001300R04 | Special socket head set screw | M10 x 25 mm |
| 4 | | 258005320R02 | Bushing | |
| 5 | | 247006251R08 | Friction lining | D = 141 ; d = 77 mm |
| 6 | | 515860305R | Hub with taper pin | 1 3/8" Z6 |
| | | 515863705R | | 1 3/8" Z21 |
| 7 | | 408000047R02 | Taper pin | 1 3/8" Z6 - Z21 |
| 8 | | 248860005R02 | Pressure plate | Thickness = 8 mm |
| 9 | | 240000213R02 | Adjustment band | |
| 10 | | 367FT320A | Belleville spring | 900 Nm |
| | | 367FT320C | | 1000 Nm |
| | | 367FT320D | | 1100 Nm |

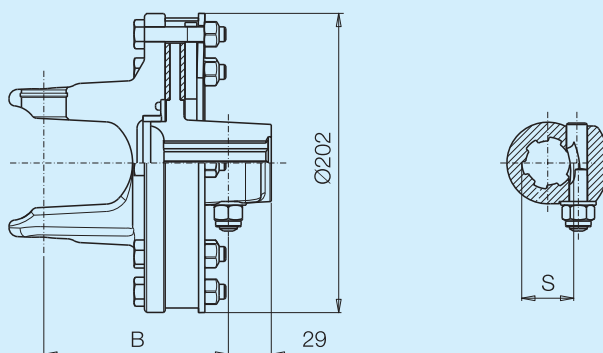
For primary drivelines, always install any torque limiter or overrunning clutch on the implement side.
 All rotating parts must be guarded.

Friction torque limiters

100


FT42

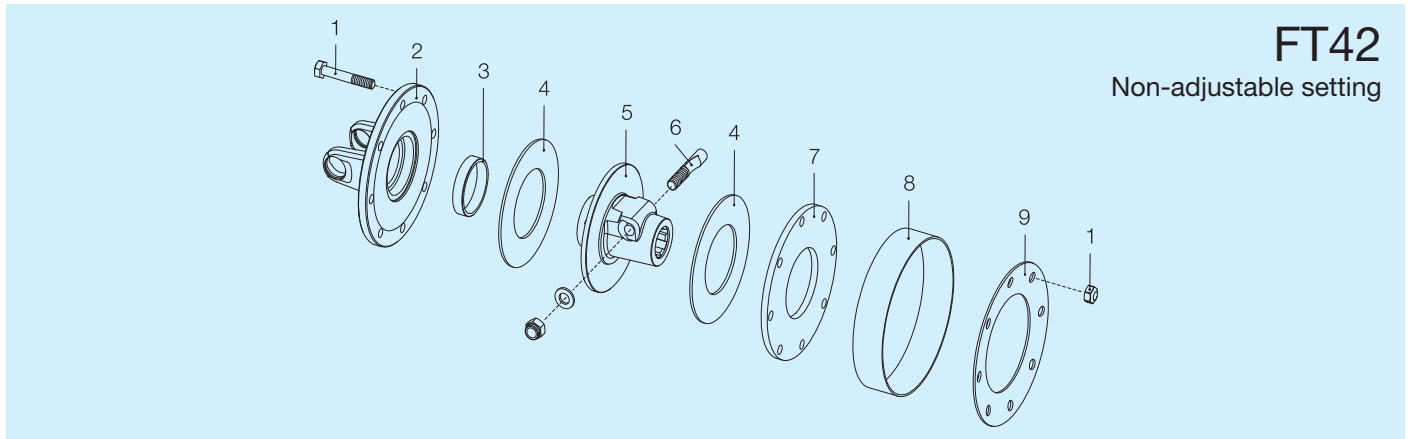
Non-adjustable setting



| Size | Torque Nm | B (mm) | | | | Spare parts code | | | |
|------|--------------|----------------|-----------------|----------------|-----------------|------------------|------------|------------|------------|
| | | S 1 3/8" Z6 | S 1 3/8" Z21 | S 1 3/4" Z6 | S 1 3/4" Z20 | 1 3/8" Z6 | 1 3/8" Z21 | 1 3/4" Z6 | 1 3/4" Z20 |
| 5 | 1200 | 117 | 117 | 122 | 122 | 663G48403R | 663G48437R | 663G48404R | 663G48438R |
| | 1450 | 125 | 125 | 130 | 130 | 663H48403R | 663H48437R | 663H48404R | 663H48438R |
| 7 | *1450 | 131 | 131 | 136 | 136 | 663L53403R | 663L53437R | 663L53404R | 663L53438R |
| | 1800 | | | | | 663L58403R | 663L58437R | 663L58404R | 663L58438R |

*Maximum recommended settings for 1000 min⁻¹ velocity.


 For primary drivelines, always install any torque limiter or overrunning clutch on the implement side. All rotating parts must be guarded.



FT42

Non-adjustable setting

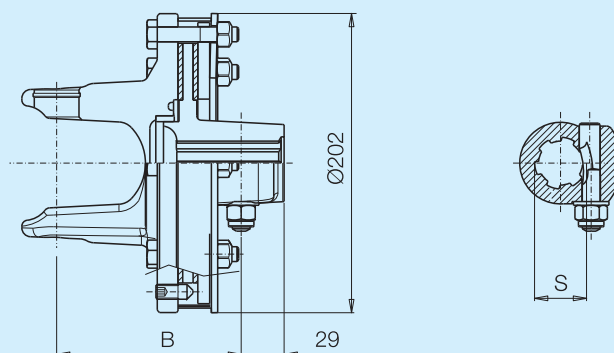
| Ref. | Size | Spare parts code | Description | Technical data |
|------|------|------------------|--------------------|---------------------|
| 1 | | 432000054R08 | Bolt | M10 x 55 mm |
| 2 | 5 | 253058701R | Flange yoke | |
| | 6 | 253069001R | | |
| | 7 | 253078702R | | |
| 3 | | 258005320R02 | Bushing | |
| 4 | | 247006351R08 | Friction lining | D = 162 ; d = 85 mm |
| 5 | | 515870305R | Hub with taper pin | 1 3/8" Z6 |
| | | 515873705R | | 1 3/8" Z21 |
| | | 515870405R | | 1 3/4" Z6 |
| | | 515873805R | | 1 3/4" Z20 |
| 6 | | 408000047R02 | Taper pin | 1 3/8" Z6 - Z21 |
| | | 408000046R02 | | 1 3/4" Z6 - Z20 |
| 7 | | 248870005R | Pressure plate | Thickness = 8 mm |
| 8 | | 240000214R02 | Adjustment band | |
| 9 | | 367FT420A | Belleville spring | 1200 Nm |
| | | 367FT420C | | 1450 Nm |
| | | 367FT420D | | 1800 Nm |

 For primary drivelines, always install any torque limiter or overrunning clutch on the implement side.
 All rotating parts must be guarded.

Friction torque limiters


FT42R

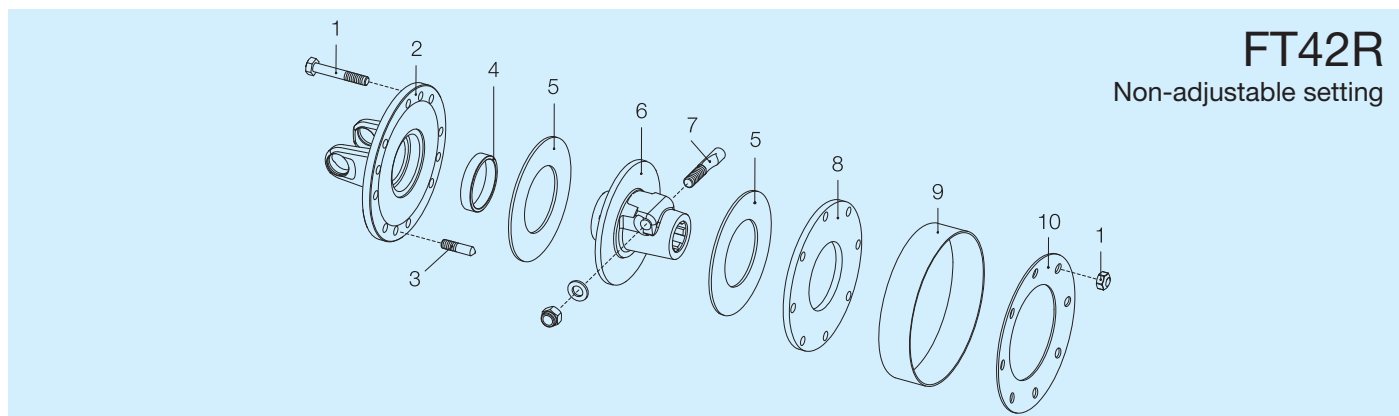
Non-adjustable setting



| Size | Torque Nm | B (mm) | | | | Spare parts code | | | |
|------|--------------|----------------|-----------------|----------------|-----------------|------------------|------------|------------|------------|
| | | S 1 3/8" Z6 | S 1 3/8" Z21 | S 1 3/4" Z6 | S 1 3/4" Z20 | 1 3/8" Z6 | 1 3/8" Z21 | 1 3/4" Z6 | 1 3/4" Z20 |
| 5 | 1200 | 117 | 117 | 122 | 122 | 663G48F03R | 663G48F37R | 663G48F04R | 663G48F38R |
| 6 | *1200 | 125 | 125 | 130 | 130 | 663H48F03R | 663H48F37R | 663H48F04R | 663H48F38R |
| | 1450 | | | | | 663H53F03R | 663H53F37R | 663H53F04R | 663H53F38R |
| 7 | *1450 | 131 | 131 | 136 | 136 | 663L53F03R | 663L53F37R | 663L53F04R | 663L53F38R |
| | 1800 | | | | | 663L58F03R | 663L58F37R | 663L58F04R | 663L58F38R |

*Maximum recommended settings for 1000 min⁻¹ velocity.

 For primary drivelines, always install any torque limiter or overrunning clutch on the implement side. All rotating parts must be guarded.



FT42R
 Non-adjustable setting

| Ref. | Size | Spare parts code | Description | Technical data |
|------|------|------------------|-------------------------------|---------------------|
| 1 | | 432000054R08 | Bolt | M10 x 55 mm |
| 2 | 5 | 2530G8705R | Flange yoke | |
| | 6 | 2530H8705R | | |
| | 7 | 2530L8705R | | |
| 3 | | 310001300R04 | Special socket head set screw | M10 x 25 mm |
| 4 | | 258005320R02 | Bushing | |
| 5 | | 247006351R08 | Friction lining | D = 162 ; d = 85 mm |
| 6 | | 515870305R | Hub with taper pin | 1 3/8" Z6 |
| | | 515873705R | | 1 3/8" Z21 |
| | | 515870405R | | 1 3/4" Z6 |
| | | 515873805R | | 1 3/4" Z20 |
| 7 | | 408000047R02 | Taper pin | 1 3/8" Z6 - Z21 |
| | | 408000046R02 | | 1 3/4" Z6 - Z20 |
| 8 | | 248870005R | Pressure plate | Thickness = 8 mm |
| 9 | | 240000214R02 | Adjustment band | |
| 10 | | 367FT420A | Belleville spring | 1200 Nm |
| | | 367FT420C | | 1450 Nm |
| | | 367FT420D | | 1800 Nm |



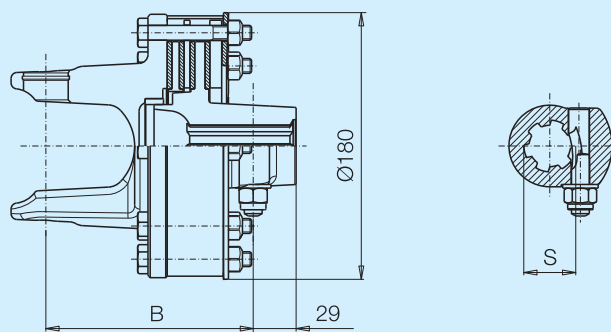
For primary drivelines, always install any torque limiter or overrunning clutch on the implement side.
 All rotating parts must be guarded.

Friction torque limiters

100


FT34

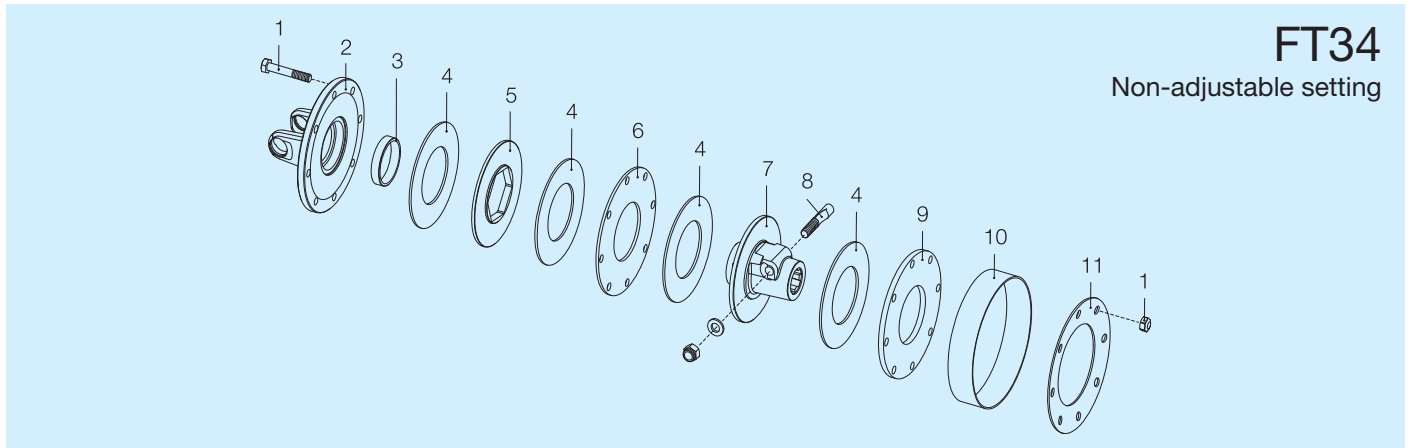
Non-adjustable setting




| Size | Torque Nm | B (mm) | | | | Spare parts code | | | |
|------|--------------|----------------|-----------------|----------------|-----------------|------------------|------------|------------|------------|
| | | S 1 3/8" Z6 | S 1 3/8" Z21 | S 1 3/4" Z6 | S 1 3/4" Z20 | 1 3/8" Z6 | 1 3/8" Z21 | 1 3/4" Z6 | 1 3/4" Z20 |
| 5 | 1200 | 133 | 133 | 138 | 138 | 663G48303R | 663G48337R | 663G48304R | 663G48338R |
| 6 | *1200 | 140 | 140 | 145 | 145 | 663H48303R | 663H48337R | 663H48304R | 663H48338R |
| | 1450 | | | | | 663H53303R | 663H53337R | 663H53304R | 663H53338R |
| 7 | *1450 | 146 | 146 | 151 | 151 | 663L53303R | 663L53337R | 663L53304R | 663L53338R |
| | 1800 | | | | | 663L58303R | 663L58337R | 663L58304R | 663L58338R |

*Maximum recommended settings for 1000 min⁻¹ velocity.

 For primary drivelines, always install any torque limiter or overrunning clutch on the implement side. All rotating parts must be guarded.



| Ref. | Size | Spare parts code | Description | Technical data |
|------|------|------------------|--------------------|---------------------|
| 1 | | 432000045R08 | Bolt | M10 x 65 mm |
| 2 | 5 | 253058901R | Flange yoke | |
| | 6 | 253068903R | | |
| | 7 | 253078601R | | |
| 3 | | 258005320R02 | Bushing | |
| 4 | | 247006251R08 | Friction lining | D = 141 ; d = 77 mm |
| 5 | | 248727702R02 | Driving disc | |
| 6 | | 248860001R02 | Inner disc | Thickness = 4 mm |
| 7 | | 515890305R | Hub with taper pin | 1 3/8" Z6 |
| | | 515893705R | | 1 3/8" Z21 |
| | | 515890405R | | 1 3/4" Z6 |
| | | 515893805R | | 1 3/4" Z20 |
| 8 | | 408000047R02 | Taper pin | 1 3/8" Z6 - Z21 |
| | | 408000049R02 | | 1 3/4" Z6 - Z20 |
| 9 | | 248860005R02 | Pressure plate | Thickness = 8 mm |
| 10 | | 240000218R02 | Adjustment band | |
| 11 | | 367FT340A | Belleville spring | 1200 Nm |
| | | 367FT340C | | 1450 Nm |
| | | 367FT340D | | 1800 Nm |

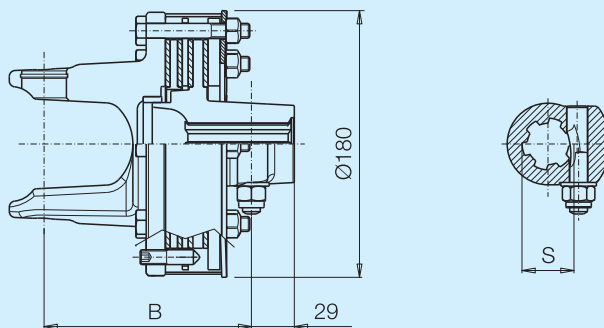
 For primary drivelines, always install any torque limiter or overrunning clutch on the implement side. All rotating parts must be guarded.

Friction torque limiters

100


FT34R

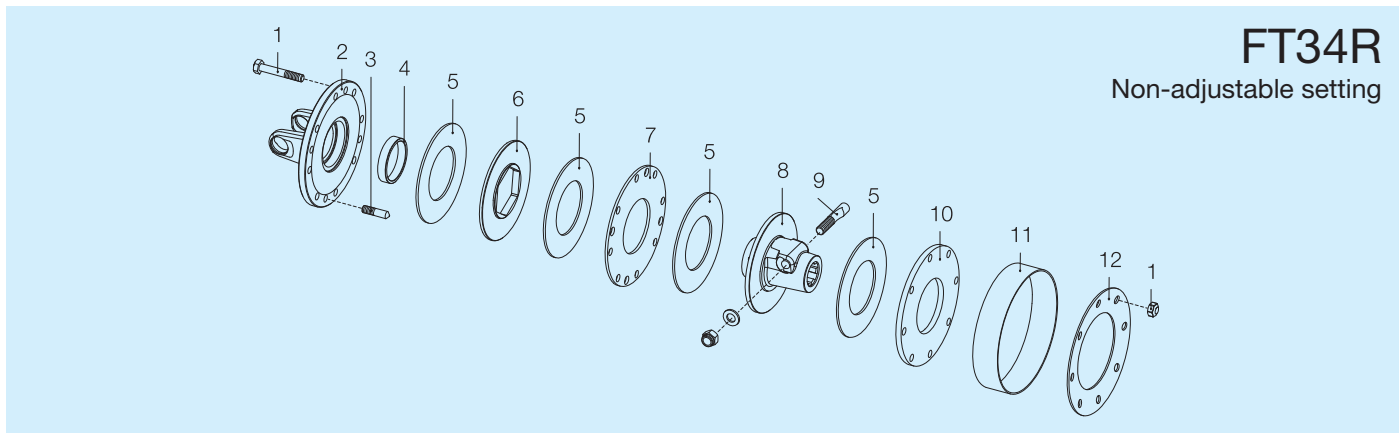
Non-adjustable setting



| Size | Torque Nm | B (mm) | | | | Spare parts code | | | |
|------|--------------|----------------|-----------------|----------------|-----------------|------------------|------------|------------|------------|
| | | S 1 3/8" Z6 | S 1 3/8" Z21 | S 1 3/4" Z6 | S 1 3/4" Z20 | 1 3/8" Z6 | 1 3/8" Z21 | 1 3/4" Z6 | 1 3/4" Z20 |
| 5 | 1200 | 133 | 133 | 138 | 138 | 663G48E03R | 663G48E37R | 663G48E04R | 663G48E38R |
| | *1200 | 140 | 140 | 145 | 145 | 663H48E03R | 663H48E37R | 663H48E04R | 663H48E38R |
| 1450 | 663H53E03R | | | | | 663H53E37R | 663H53E04R | 663H53E38R | |
| 7 | *1450 | 146 | 146 | 151 | 151 | 663L53E03R | 663L53E37R | 663L53E04R | 663L53E38R |
| | 1800 | | | | | 663L58E03R | 663L58E37R | 663L58E04R | 663L58E38R |

*Maximum recommended settings for 1000 min⁻¹ velocity.

 For primary drivelines, always install any torque limiter or overrunning clutch on the implement side. All rotating parts must be guarded.



| Ref. | Size | Spare parts code | Description | Technical data |
|------|------|------------------|-------------------------------|---------------------|
| 1 | | 432000045R08 | Bolt | M10 x 65 mm |
| 2 | 5 | 2530G8605R | Flange yoke | |
| | 6 | 2530H8605R | | |
| | 7 | 2530L8605R | | |
| 3 | | 310001301R04 | Special socket head set screw | M10 x 40 mm |
| 4 | | 258005320R02 | Bushing | |
| 5 | | 247006251R08 | Friction lining | D = 141 ; d = 77 mm |
| 6 | | 248727702R02 | Driving disc | |
| 7 | | 248860006R02 | Inner disc | Thickness = 4 mm |
| 8 | | 515890305R | Hub with taper pin | 1 3/8" Z6 |
| | | 515893705R | | 1 3/8" Z21 |
| | | 515890405R | | 1 3/4" Z6 |
| | | 515893805R | | 1 3/4" Z20 |
| 9 | | 408000047R02 | Taper pin | 1 3/8" Z6 - Z21 |
| | | 408000049R02 | | 1 3/4" Z6 - Z20 |
| 10 | | 248860005R02 | Pressure plate | Thickness = 8 mm |
| 11 | | 240000218R02 | Adjustment band | |
| 12 | | 367FT340A | Belleville spring | 1200 Nm |
| | | 367FT340C | | 1450 Nm |
| | | 367FT340D | | 1800 Nm |



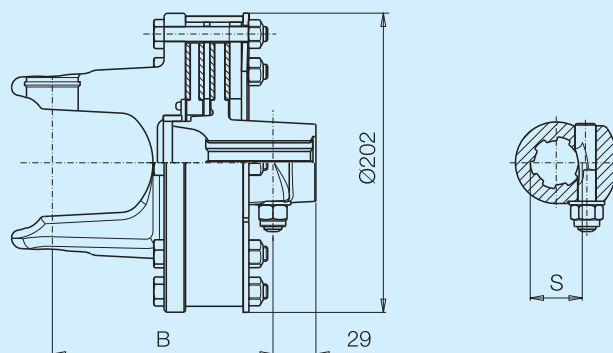
For primary drivelines, always install any torque limiter or overrunning clutch on the implement side.
 All rotating parts must be guarded.

Friction torque limiters

100


FT44

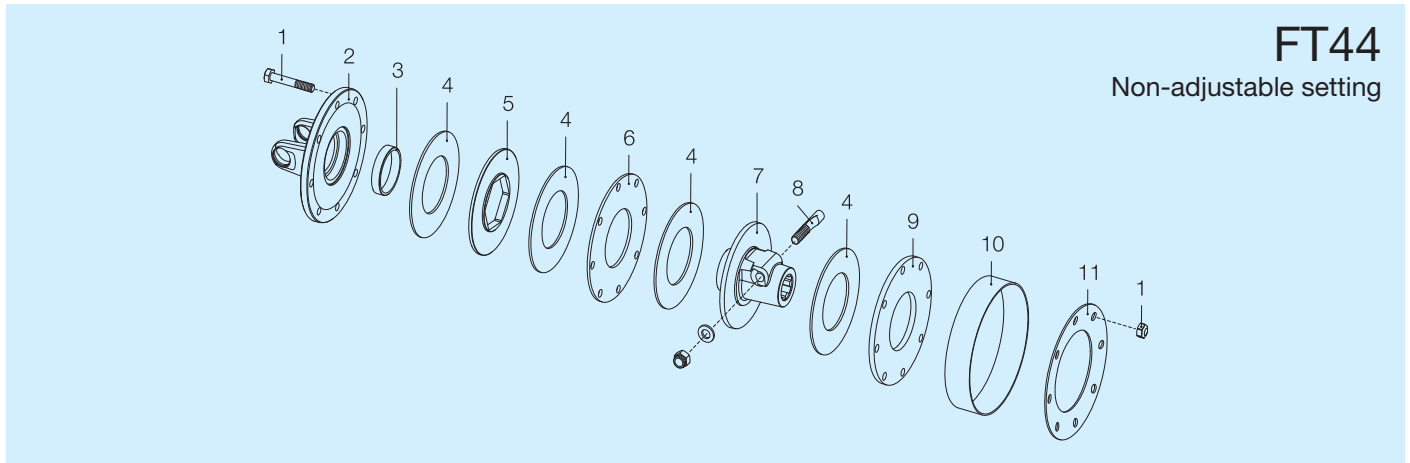
Non-adjustable setting




| Size | Torque Nm | B (mm) | | | | Spare parts code | | | |
|------|--------------|----------------|-----------------|----------------|-----------------|------------------|------------|------------|------------|
| | | S 1 3/8" Z6 | S 1 3/8" Z21 | S 1 3/4" Z6 | S 1 3/4" Z20 | 1 3/8" Z6 | 1 3/8" Z21 | 1 3/4" Z6 | 1 3/4" Z20 |
| 7 | 1800 | 147 | 147 | 152 | 152 | 663L58503R | 663L58537R | 663L58504R | 663L58538R |
| 8 | *1800 | 149 | 149 | 154 | 154 | 663M58503R | 663M58537R | 663M58504R | 663M58538R |
| | 2200 | | | | | 663M62503R | 663M62537R | 663M62504R | 663M62538R |

*Maximum recommended settings for 1000 min⁻¹ velocity.

 For primary drivelines, always install any torque limiter or overrunning clutch on the implement side. All rotating parts must be guarded.



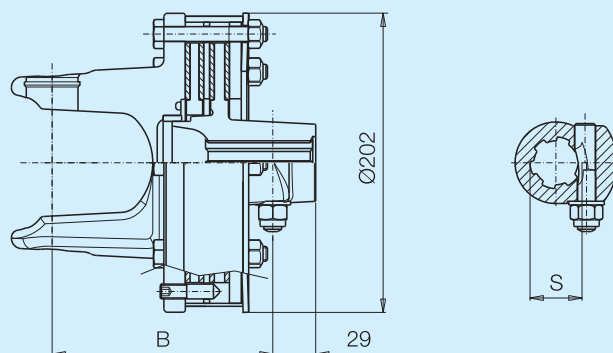
| Ref. | Size | Spare parts code | Description | Technical data |
|------|------|------------------|--------------------|---------------------|
| 1 | | 432000100R08 | Bolt | M10 x 55 mm |
| 2 | 7 | 253078702R | Flange yoke | |
| | 8 | 253089001R | | |
| 3 | | 258005320R02 | Bushing | |
| 4 | | 247006351R08 | Friction lining | D = 162 ; d = 85 mm |
| 5 | | 248737702R02 | Driving disc | |
| 6 | | 248870011R02 | Inner disc | Thickness = 4 mm |
| 7 | | 515900305R | Hub with taper pin | 1 3/8" Z6 |
| | | 515903705R | | 1 3/8" Z21 |
| | | 515900405R | | 1 3/4" Z6 |
| | | 515903805R | | 1 3/4" Z20 |
| 8 | | 408000047R02 | Taper pin | 1 3/8" Z6 - Z21 |
| | | 408000046R02 | | 1 3/4" Z6 - Z20 |
| 9 | | 248870005R | Pressure plate | Thickness = 8 mm |
| 10 | | 240000219R02 | Adjustment band | |
| 11 | | 367FT440A | Belleville spring | 1800 Nm |
| | | 367FT440C | | 2200 Nm |

 For primary drivelines, always install any torque limiter or overrunning clutch on the implement side.
 All rotating parts must be guarded.

Friction torque limiters


FT44R

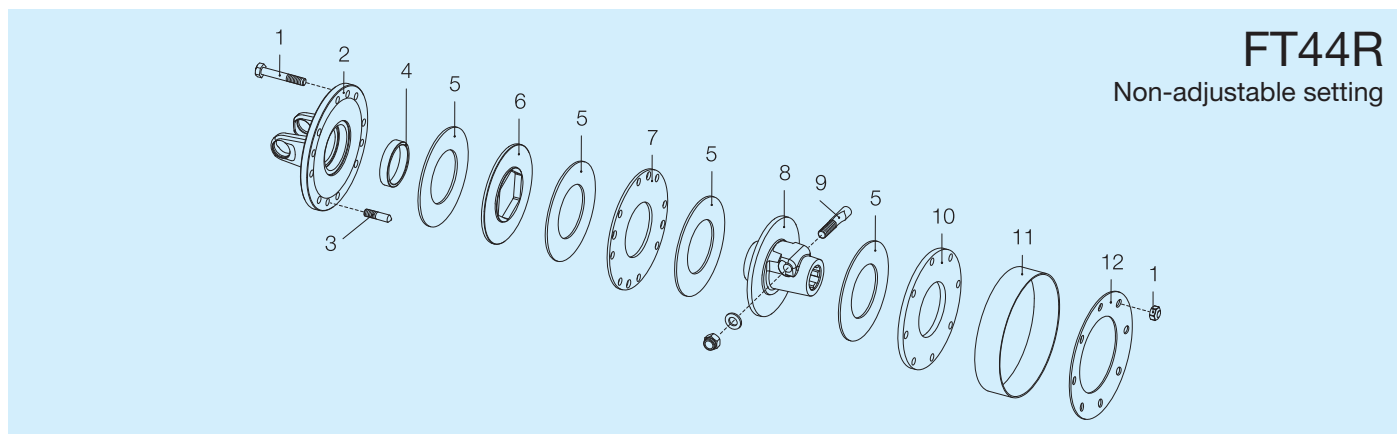
Non-adjustable setting



| Size | Torque Nm | B (mm) | | | | Spare parts code | | | |
|------|--------------|----------------|-----------------|----------------|-----------------|------------------|------------|------------|------------|
| | | S 1 3/8" Z6 | S 1 3/8" Z21 | S 1 3/4" Z6 | S 1 3/4" Z20 | 1 3/8" Z6 | 1 3/8" Z21 | 1 3/4" Z6 | 1 3/4" Z20 |
| 7 | 1800 | 147 | 147 | 152 | 152 | 663L58G03R | 663L58G37R | 663L58G04R | 663L58G38R |
| 8 | *1800 | 149 | 149 | 154 | 154 | 663M58G03R | 663M58G37R | 663M58G04R | 663M58G38R |
| | 2200 | | | | | 663M62G03R | 663M62G37R | 663M62G04R | 663M62G38R |

*Maximum recommended settings for 1000 min⁻¹ velocity.

 For primary drivelines, always install any torque limiter or overrunning clutch on the implement side. All rotating parts must be guarded.



FT44R

Non-adjustable setting

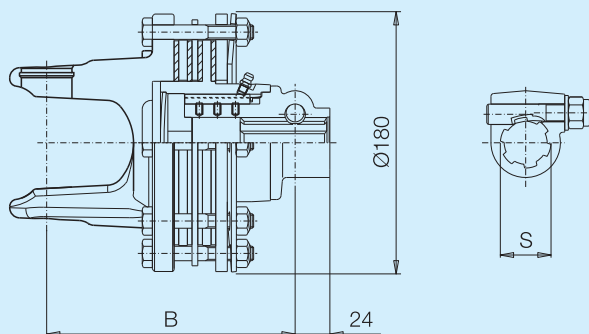
| Ref. | Size | Spare parts code | Description | Technical data |
|------|------|------------------|-------------------------------|---------------------|
| 1 | | 432000100R08 | Bolt | M10 x 70 mm |
| 2 | 7 | 2530L8705R | Flange yoke | |
| | 8 | 2530M8705R | | |
| 3 | | 310001301R04 | Special socket head set screw | M10 x 40 mm |
| 4 | | 258005320R02 | Bushing | |
| 5 | | 247006351R08 | Friction lining | D = 162 ; d = 85 mm |
| 6 | | 248737702R02 | Driving plate | |
| 7 | | 248870013R02 | Inner disc | Thickness = 4 mm |
| 8 | | 515900305R | Hub with taper pin | 1 3/8" Z6 |
| | | 515903705R | | 1 3/8" Z21 |
| | | 515900405R | | 1 3/4" Z6 |
| | | 515903805R | | 1 3/4" Z20 |
| 9 | | 408000047R02 | Taper pin | 1 3/8" Z6 - Z21 |
| | | 408000046R02 | | 1 3/4" Z6 - Z20 |
| 10 | | 248870005R | Pressure plate | Thickness = 8 mm |
| 11 | | 240000219R02 | Adjustment band | |
| 12 | | 367FT440A | Belleville spring | 1800 Nm |
| | | 367FT440C | | 2200 Nm |



For primary drivelines, always install any torque limiter or overrunning clutch on the implement side.
 All rotating parts must be guarded.


FNV34

Adjustable setting

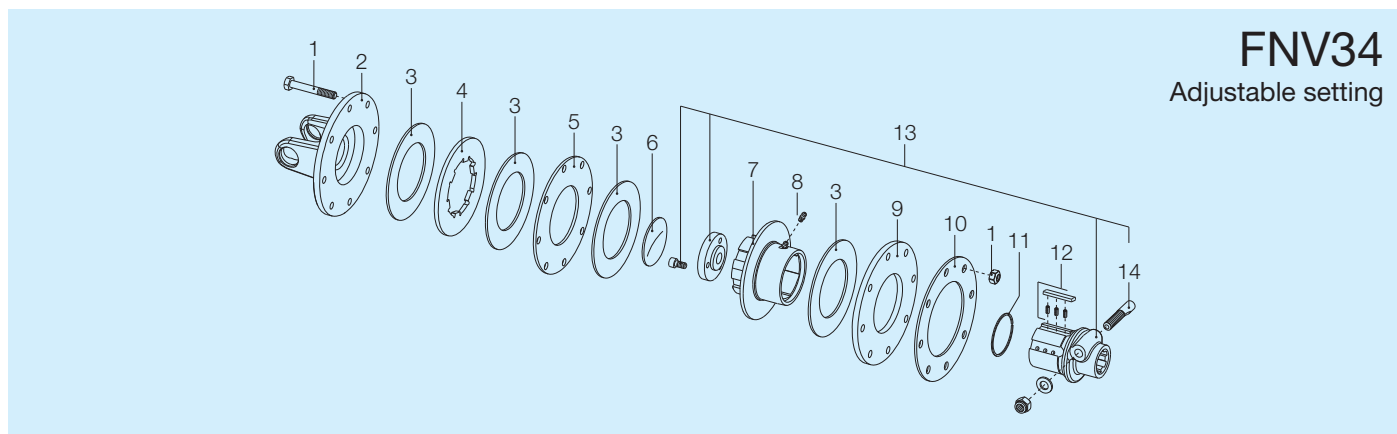


| Size | Torque Nm | B (mm) | | | | Spare parts code | | | |
|------|--------------|----------------|-----------------|----------------|-----------------|------------------|------------|-----------|------------|
| | | S 1 3/8" Z6 | S 1 3/8" Z21 | S 1 3/4" Z6 | S 1 3/4" Z20 | 1 3/8" Z6 | 1 3/8" Z21 | 1 3/4" Z6 | 1 3/4" Z20 |
| 5 | 1200 | 158 | 158 | --- | --- | 665G48103R | 665G48137R | --- | --- |
| 6 | *1200 | 166 | 166 | --- | --- | 665H48103R | 665H48137R | --- | --- |
| | 1350 | | | | | 665H51103R | 665H51137R | --- | --- |
| | 1450 | | | | | 665H53103R | 665H53137R | --- | --- |
| 7 | 1350 | 172 | 172 | --- | --- | 665L51103R | 665L51137R | --- | --- |
| | *1450 | | | | | 665L53103R | 665L53137R | --- | --- |
| | 1600 | | | | | 665L56103R | 665L56137R | --- | --- |
| | 1800 | | | | | 665L58103R | 665L58137R | --- | --- |
| S9 | *1800 | 174 | 174 | --- | --- | 665M58103R | 665M58137R | --- | --- |
| | 2000 | | | | | 665M60103R | 665M60137R | --- | --- |

*Maximum recommended settings for 1000 min⁻¹ velocity.

 For primary drivelines, always install any torque limiter or overrunning clutch on the implement side. All rotating parts must be guarded.

SERIES OUT OF PRODUCTION - ONLY AVAILABLE AS SPARE PARTS
100 Combination friction torque limiter and overrunning clutch



FNV34
Adjustable setting

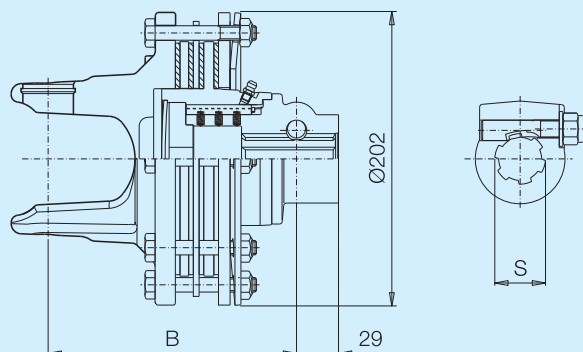
| Ref. | Size | Spare parts code | Description | Technical data |
|------|------|------------------|-----------------------------|---------------------|
| 1 | | 432000114R08 | Bolt | M 10 x 75 mm |
| 2 | 5 | 2530G1L01R | Flange yoke | |
| | 6 | 2530H1L01R | | |
| | 7 | 2530L1L01R | | |
| | 8 | 2530M1L01R | | |
| 3 | | 247000054R08 | Friction lining | D = 140 ; d = 85 mm |
| 4 | | 2481L0003R02 | Driving plate | |
| 5 | | 2481L0001R02 | Inner plate | Thickness = 4 mm |
| 6 | | 240000746R05 | Locking plate | |
| 7 | | 4271L0101R | Overrunning clutch housing | |
| 8 | | 348017000R20 | Grease fitting | |
| 9 | | 2481L0005R02 | Pressure plate | Thickness = 8 mm |
| 10 | | 367008860R | Belleville spring | 1200 Nm |
| 11 | | 339002060R20 | Snap ring | |
| 12 | | 4211L0001R06 | Pawl + springs kit | |
| 13 | | 5151L0351R | Hub, plug and taper pin kit | 1 3/8" Z6 |
| | | 5151L3751R | | 1 3/8" Z21 |
| 14 | | 408000047R02 | Taper pin | 1 3/8" Z6 - Z21 |



For primary drivelines, always install any torque limiter or overrunning clutch on the implement side.
 All rotating parts must be guarded.


FNV44

Adjustable setting

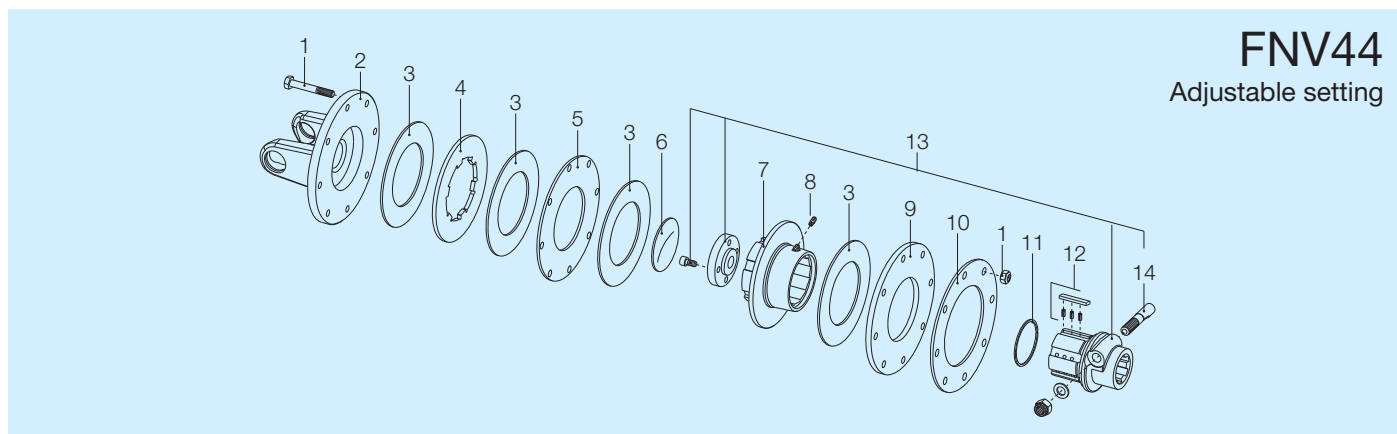


| Size | Torque Nm | B (mm) | | | | Spare parts code | | | |
|------|--------------|----------------|-----------------|----------------|-----------------|------------------|------------|------------|------------|
| | | S 1 3/8" Z6 | S 1 3/8" Z21 | S 1 3/4" Z6 | S 1 3/4" Z20 | 1 3/8" Z6 | 1 3/8" Z21 | 1 3/4" Z6 | 1 3/4" Z20 |
| 7 | 1800 | 172 | 172 | 172 | 172 | 665L58203R | 665L58237R | 665L58204R | 665L58238R |
| 8 | *1800 | 174 | 174 | 174 | 174 | 665M58203R | 665M58237R | 665M58204R | 665M58238R |
| | 2000 | | | | | 665M60203R | 665M60237R | 665M60204R | 665M60238R |
| | 2200 | | | | | 665M62203R | 665M62237R | 665M62204R | 665M62238R |

*Maximum recommended settings for 1000 min⁻¹ velocity.

 For primary drivelines, always install any torque limiter or overrunning clutch on the implement side. All rotating parts must be guarded.

SERIES OUT OF PRODUCTION - ONLY AVAILABLE AS SPARE PARTS
100 Combination friction torque limiter and overrunning clutch



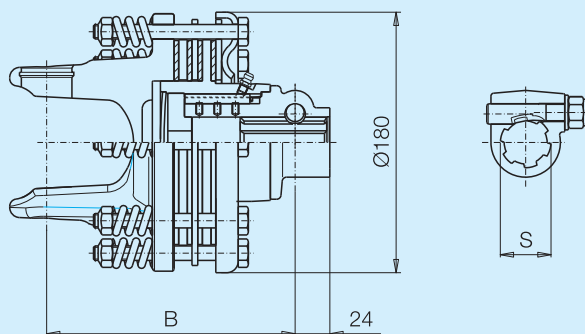
| Ref. | Size | Spare parts code | Description | Technical data | | |
|------|------|------------------|----------------------------|---------------------|-----------------------------|------------|
| 1 | | 432000114R08 | Bolt | M 10 x 75 mm | | |
| 2 | 7 | 2530L1M01R | Flange yoke | | | |
| | 8 | 2530M1M01R | | | | |
| 3 | | 247000061R08 | Friction lining | D = 160 ; d = 97 mm | | |
| 4 | | 2481M0001R02 | Driving plate | | | |
| 5 | | 2481M0002R02 | Inner plate | Thickness = 4 mm | | |
| 6 | | 240000748R05 | Locking plate | | | |
| 7 | | 4271M0101R | Overrunning clutch housing | | | |
| 8 | | 348017000R20 | Grease fitting | | | |
| 9 | | 2481H0004R02 | Pressure plate | Thickness = 8 mm | | |
| 10 | | 367009870R | Belleville spring | | | |
| 11 | | 339002068R20 | Snap ring | | | |
| 13 | | 4211L0001R06 | Pawl + springs kit | | | |
| | | 5151M0351R | | | Hub, plug and taper pin kit | 1 3/8" Z6 |
| | | 5151M3751R | | | | 1 3/8" Z21 |
| | | 5151M0451R | | | | 1 3/4" Z6 |
| 14 | | 5151M3851R | | 1 3/4" Z20 | | |
| | | 408000047R02 | Taper pin | 1 3/8" Z6 - Z21 | | |
| | | 408000046R02 | | 1 3/4" Z6 - Z20 | | |



For primary drivelines, always install any torque limiter or overrunning clutch on the implement side.
 All rotating parts must be guarded.


FFNV34

Adjustable setting



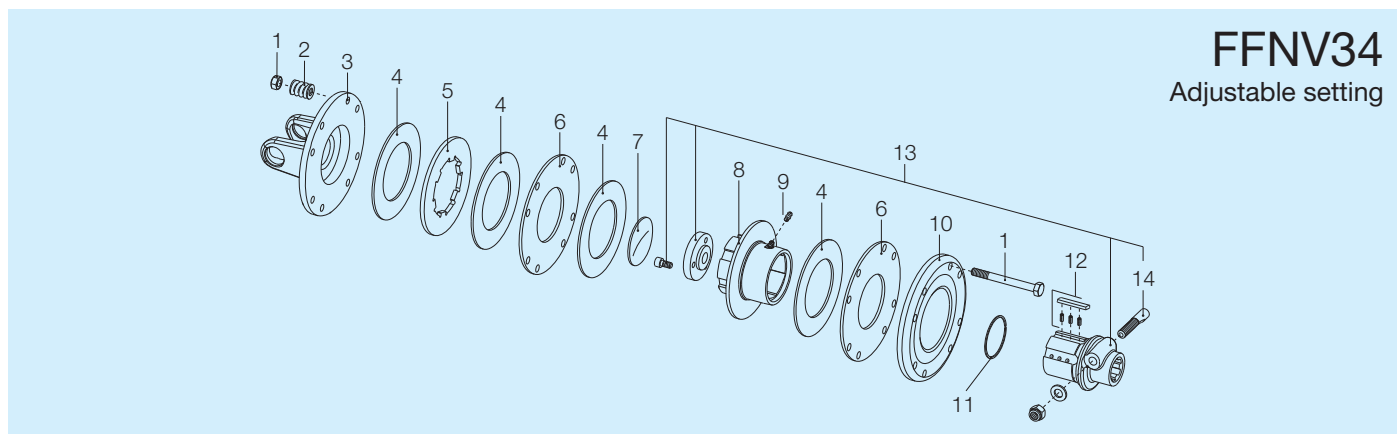
| Size | Torque Nm | B (mm) | | | | Spare parts code | | | |
|------|--------------|----------------|-----------------|----------------|-----------------|------------------|------------|-----------|------------|
| | | S 1 3/8" Z6 | S 1 3/8" Z21 | S 1 3/4" Z6 | S 1 3/4" Z20 | 1 3/8" Z6 | 1 3/8" Z21 | 1 3/4" Z6 | 1 3/4" Z20 |
| 5 | 1200 | 158 | 158 | --- | --- | 667G48103R | 667G48137R | --- | --- |
| 6 | *1200 | 166 | 166 | --- | --- | 667H48103R | 667H48137R | --- | --- |
| | 1350 | | | | | 667H51103R | 667H51137R | --- | --- |
| | 1450 | | | | | 667H53103R | 667H53137R | --- | --- |
| 7 | 1350 | 172 | 172 | --- | --- | 667L51103R | 667L51137R | --- | --- |
| | *1450 | | | | | 667L53103R | 667L53137R | --- | --- |
| | 1600 | | | | | 667L56103R | 667L56137R | --- | --- |
| | 1800 | | | | | 667L58103R | 667L58137R | --- | --- |
| 8 | *1800 | 174 | 174 | --- | --- | 667M58103R | 667M58137R | --- | --- |
| | 2000 | | | | | 667M60103R | 667M60137R | --- | --- |

*Maximum recommended settings for 1000 min⁻¹ velocity.

 For primary drivelines, always install any torque limiter or overrunning clutch on the implement side. All rotating parts must be guarded.

SERIES OUT OF PRODUCTION - ONLY AVAILABLE AS SPARE PARTS

100 Combination friction torque limiter and overrunning clutch



FFNV34
Adjustable setting

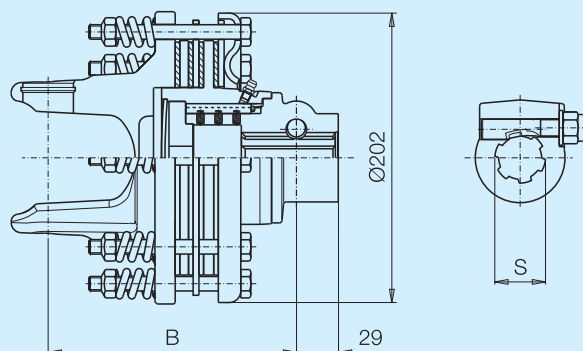
| Ref. | Size | Spare parts code | Description | Technical data |
|------|------|------------------|-----------------------------|---------------------|
| 1 | | 432000007R08 | Bolt | M10 x 100 mm |
| 2 | | 351022370R08 | Coil spring | f = 6 mm |
| 3 | 5 | 2530G1L05R | Flange yoke | |
| | 6 | 2530H1L05R | | |
| | 7 | 2530L1L05R | | |
| | 8 | 2530M1L05R | | |
| 4 | | 247000054R08 | Friction lining | D = 140 ; d = 85 mm |
| 5 | | 2481L0003R02 | Driving plate | |
| 6 | | 2481L0007R02 | Inner plate | Thickness = 4 mm |
| 7 | | 240000746R05 | Locking plate | |
| 8 | | 4271L0101R | Overrunning clutch housing | |
| 9 | | 348017000R20 | Grease fitting | |
| 10 | | 248220007R02 | Pressure plate | |
| 11 | | 339002060R20 | Snap ring | |
| 12 | | 4211L0001R06 | Pawl + springs kit | |
| | | | | |
| 13 | | 5151L0351R | Hub, plug and taper pin kit | 1 3/8" Z6 |
| | | 5151L3751R | | 1 3/8" Z21 |
| 14 | | 408000047R02 | Taper pin | 1 3/8" Z6 - Z21 |



For primary drivelines, always install any torque limiter or overrunning clutch on the implement side.
All rotating parts must be guarded.


FFNV44

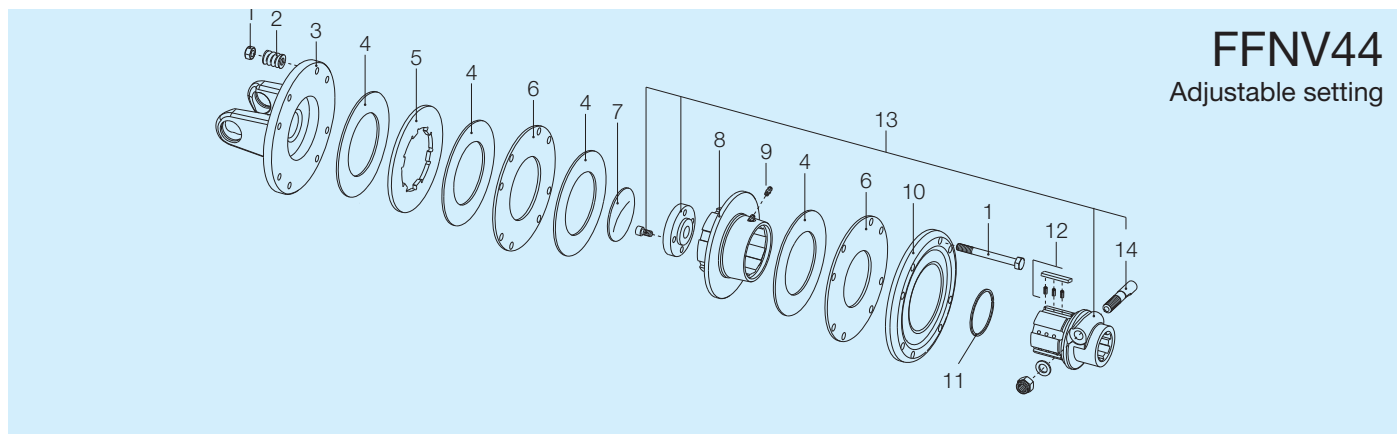
Adjustable setting



| Size | Torque Nm | B (mm) | | | | Spare parts code | | | |
|------|--------------|----------------|-----------------|----------------|-----------------|------------------|------------|------------|------------|
| | | S 1 3/8" Z6 | S 1 3/8" Z21 | S 1 3/4" Z6 | S 1 3/4" Z20 | 1 3/8" Z6 | 1 3/8" Z21 | 1 3/4" Z6 | 1 3/4" Z20 |
| 7 | 1800 | 172 | 172 | 172 | 172 | 667L58203R | 667L58237R | 667L58204R | 667L58238R |
| 8 | *1800 | 174 | 174 | 174 | 174 | 667M58203R | 667M58237R | 667M58204R | 667M58238R |
| | 2000 | | | | | 667M60203R | 667M60237R | 667M60204R | 667M60238R |
| | 2200 | | | | | 667M62203R | 667M62237R | 667M62204R | 667M62238R |

*Maximum recommended settings for 1000 min⁻¹ velocity.

 For primary drivelines, always install any torque limiter or overrunning clutch on the implement side. All rotating parts must be guarded.



FFNV44
Adjustable setting

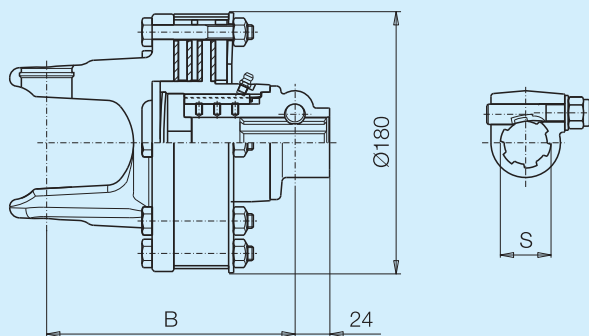
| Ref. | Size | Spare parts code | Description | Technical data |
|------|------|------------------|-----------------------------|---------------------|
| 1 | | 432000122R08 | Bolt | M10 x 105 mm |
| 2 | | 351013370R08 | Coil spring | f = 7 mm |
| 3 | 7 | 2530L1M05R | Flange yoke | |
| | 8 | 2530M1M05R | | |
| 4 | | 247000061R08 | Friction lining | D = 160 ; d = 97 mm |
| 5 | | 2481M0001R02 | Driving plate | |
| 6 | | 2481M0007R02 | Inner plate | Thickness = 4 mm |
| 7 | | 240000748R05 | Locking plate | |
| 8 | | 4271M0101R | Overrunning clutch housing | |
| 9 | | 348017000R20 | Grease fitting | |
| 10 | | 248230006R02 | Pressure plate | |
| 11 | | 339002068R20 | Snap ring | |
| 13 | | 5151M0351R | Hub, plug and taper pin kit | 1 3/8" Z6 |
| | | 5151M3751R | | 1 3/8" Z21 |
| | | 5151M0451R | | 1 3/4" Z6 |
| | | 5151M3851R | | 1 3/4" Z20 |
| 14 | | 408000047R02 | Taper pin | 1 3/8" Z6 - Z21 |
| | | 408000046R02 | | 1 3/4" Z6 - Z20 |



For primary drivelines, always install any torque limiter or overrunning clutch on the implement side.
All rotating parts must be guarded.


FNT34

Non-adjustable setting



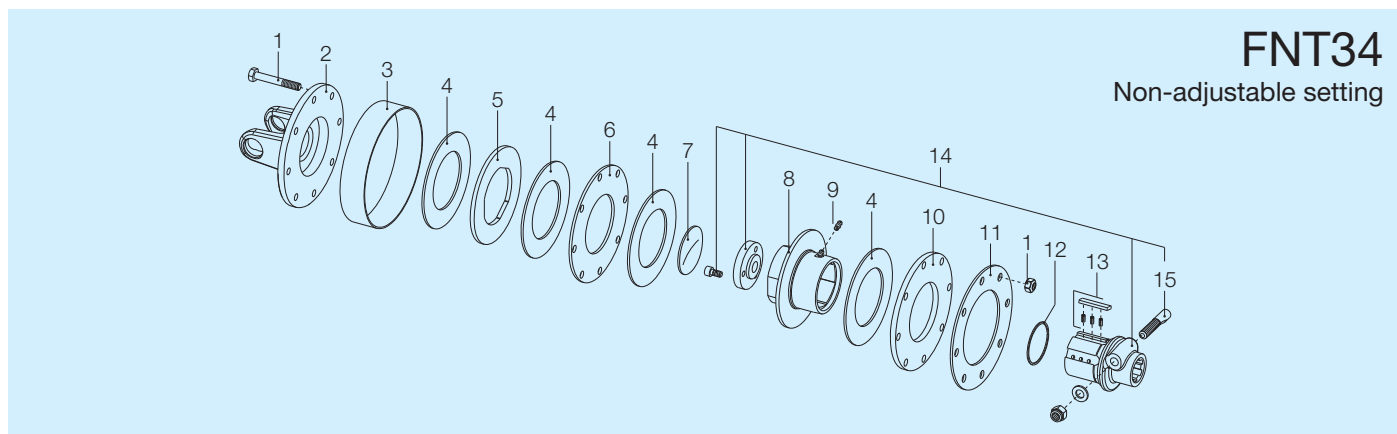
| Size | Torque Nm | B (mm) | | | | Spare parts code | | | |
|------|--------------|----------------|-----------------|----------------|-----------------|------------------|------------|-----------|------------|
| | | S 1 3/8" Z6 | S 1 3/8" Z21 | S 1 3/4" Z6 | S 1 3/4" Z20 | 1 3/8" Z6 | 1 3/8" Z21 | 1 3/4" Z6 | 1 3/4" Z20 |
| 5 | 1200 | 158 | 158 | --- | --- | 658G48103R | 658G48137R | --- | --- |
| 6 | *1200 | 166 | 166 | --- | --- | 658H48103R | 658H48137R | --- | --- |
| | 1450 | | | | | 658H53103R | 658H53137R | --- | --- |
| 7 | *1450 | 172 | 172 | --- | --- | 658L53103R | 658L53137R | --- | --- |
| | 1800 | | | | | 658L58103R | 658L58137R | --- | --- |
| 8 | *1800 | 174 | 174 | --- | --- | 658M58103R | 658M58137R | --- | --- |

*Maximum recommended settings for 1000 min⁻¹ velocity.

 For primary drivelines, always install any torque limiter or overrunning clutch on the implement side. All rotating parts must be guarded.

SERIES OUT OF PRODUCTION - ONLY AVAILABLE AS SPARE PARTS

100 Combination friction torque limiter and overrunning clutch



FNT34

Non-adjustable setting

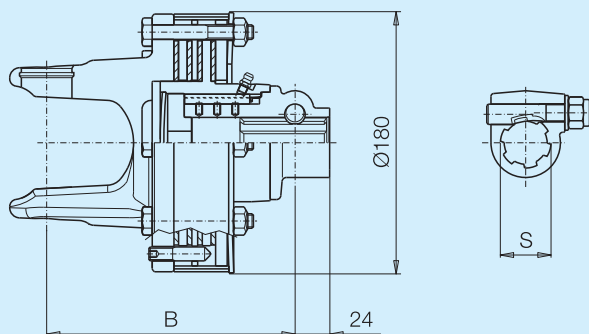
| Ref. | Size | Spare parts code | Description | Technical data |
|------|------|------------------|-----------------------------|---------------------|
| 1 | | 432000100R08 | Bolt | M10 x 65 mm |
| 2 | 5 | 2530G1L01R | Flange yoke | |
| | 6 | 2530H1L01R | | |
| | 7 | 2530L1L01R | | |
| | 8 | 2530M1L01R | | |
| 3 | | 240000218R02 | Adjustment band | |
| 4 | | 247000054R08 | Friction lining | D = 140 ; d = 85 mm |
| 5 | | 2481L0003R02 | Driving plate | |
| 6 | | 2481L0001R02 | Inner plate | Thickness = 4 mm |
| 7 | | 240000746R05 | Locking plate | |
| 8 | | 4271L0101R | Overrunning clutch housing | |
| 9 | | 348017000R20 | Grease fitting | |
| 10 | | 2481L0002R02 | Pressure plate | Thickness = 8 mm |
| 11 | | 367FT340A | Belleville spring | 1200 Nm |
| | | 367FT340C | | 1450 Nm |
| | | 367FT340D | | 1800 Nm |
| 12 | | 339002060R20 | Snap ring | |
| 13 | | 4211L0001R06 | Pawl + springs kit | |
| 14 | | 5151L0351R | Hub, plug and taper pin kit | 1 3/8" Z6 |
| | | 5151L3751R | | 1 3/8" Z21 |
| 15 | | 408000047R02 | Taper pin | 1 3/8" Z6 - Z21 |



For primary drivelines, always install any torque limiter or overrunning clutch on the implement side.
All rotating parts must be guarded.

FNT34R

Non-adjustable setting



| Size | Torque Nm | B (mm) | | | | Spare parts code | | | |
|------|--------------|----------------|-----------------|----------------|-----------------|------------------|------------|-----------|------------|
| | | S 1 3/8" Z6 | S 1 3/8" Z21 | S 1 3/4" Z6 | S 1 3/4" Z20 | 1 3/8" Z6 | 1 3/8" Z21 | 1 3/4" Z6 | 1 3/4" Z20 |
| 5 | 1200 | 158 | 158 | --- | --- | 658G48203R | 658G48237R | --- | --- |
| 6 | *1200 | 166 | 166 | --- | --- | 658H48203R | 658H48237R | --- | --- |
| | 1450 | | | | | 658H53203R | 658H53237R | --- | --- |
| 7 | *1450 | 172 | 172 | --- | --- | 658L53203R | 658L53237R | --- | --- |
| | 1800 | | | | | 658L58203R | 658L58237R | --- | --- |
| 8 | *1800 | 174 | 174 | --- | --- | 658M58203R | 658M58237R | --- | --- |

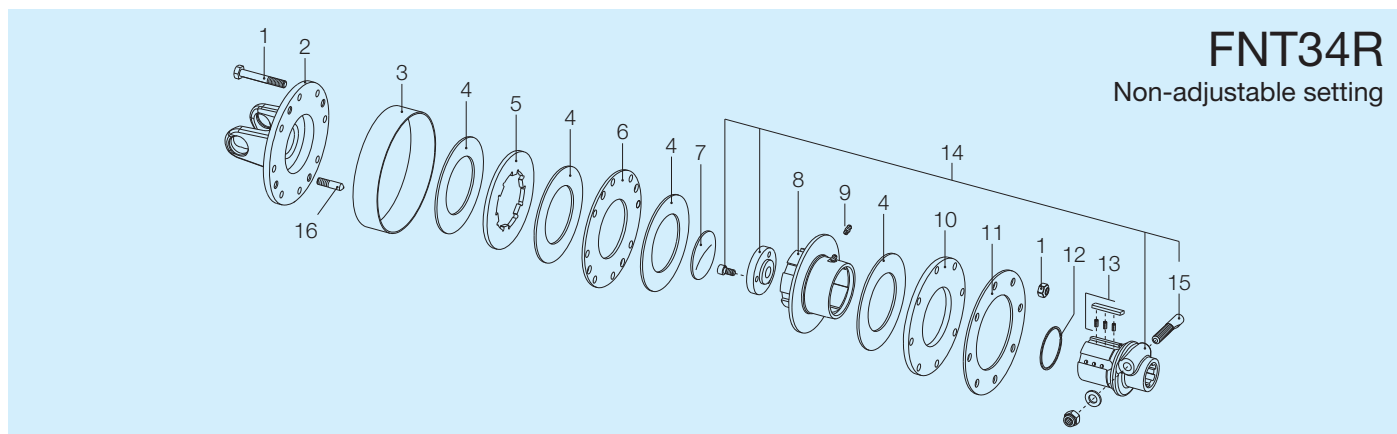
*Maximum recommended settings for 1000 min⁻¹ velocity.



For primary drivelines, always install any torque limiter or overrunning clutch on the implement side.
All rotating parts must be guarded.

SERIES OUT OF PRODUCTION - ONLY AVAILABLE AS SPARE PARTS

100 Combination friction torque limiter and overrunning clutch



FNT34R

Non-adjustable setting

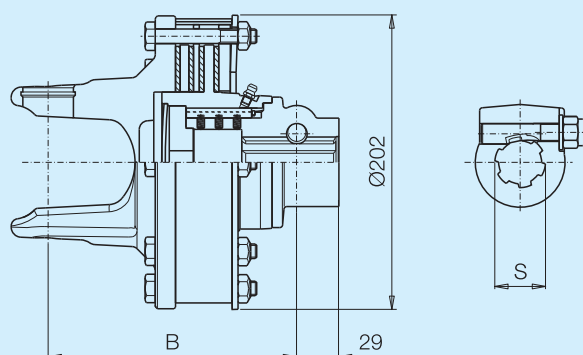
| Ref. | Size | Spare parts code | Description | Technical data |
|------|------|------------------|-------------------------------|---------------------|
| 1 | | 432000100R08 | Bolt | M10 x 70 mm |
| 2 | 5 | 2530G1L02R | Flange yoke | |
| | 6 | 2530H1L02R | | |
| | 7 | 2530L1L02R | | |
| | 8 | 2530M1L02R | | |
| 3 | | 240000218R02 | Adjustment band | |
| 4 | | 247000054R08 | Friction lining | D = 140 ; d = 85 mm |
| 5 | | 2481L0003R02 | Driving plate | |
| 6 | | 2481L0004R02 | Inner plate | Thickness = 4 mm |
| 7 | | 240000746R05 | Locking plate | |
| 8 | | 4271L0101R | Overrunning clutch housing | |
| 9 | | 348017000R20 | Grease fitting | |
| 10 | | 2481L0002R02 | Pressure plate | Thickness = 8 mm |
| 11 | | 367FT340A | Belleville spring | 1200 Nm |
| | | 367FT340C | | 1450 Nm |
| | | 367FT340D | | 1800 Nm |
| 12 | | 339002060R20 | Snap ring | |
| 13 | | 4211L0001R06 | Pawl + spring kit | |
| 14 | | 5151L0351R | Hub, plug and taper pin kit | 1 3/8" Z6 |
| | | 5151L3751R | | 1 3/8" Z21 |
| 15 | | 408000047R02 | Taper pin | 1 3/8" Z6 - Z21 |
| 16 | | 310001301R04 | Special socket head set screw | M 10 x 40 mm |



For primary drivelines, always install any torque limiter or overrunning clutch on the implement side.
All rotating parts must be guarded.


FNT44

Non-adjustable setting

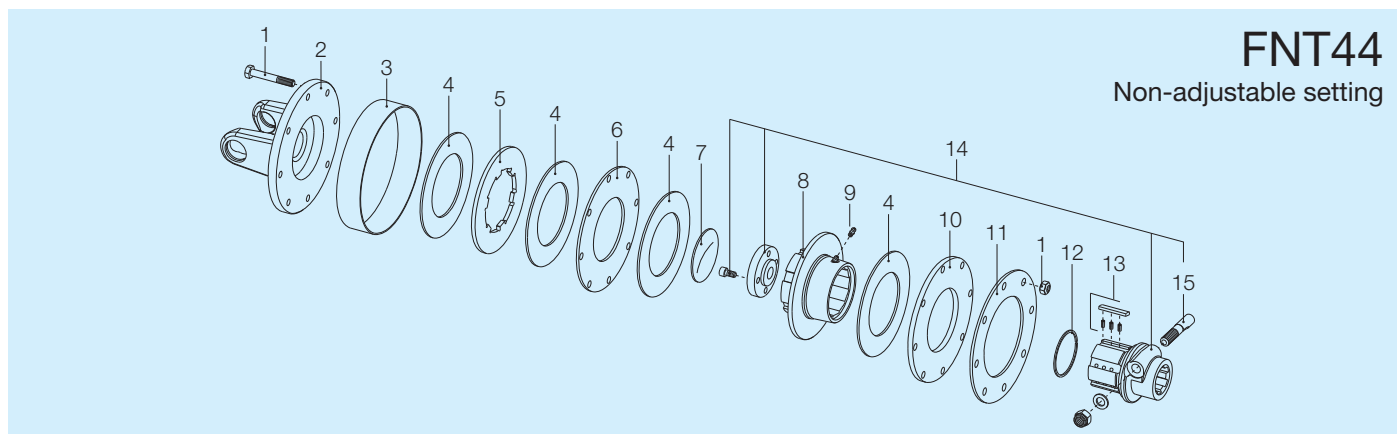


| Size | Torque Nm | B (mm) | | | | Spare parts code | | | |
|------|--------------|----------------|-----------------|----------------|-----------------|------------------|------------|------------|------------|
| | | S 1 3/8" Z6 | S 1 3/8" Z21 | S 1 3/4" Z6 | S 1 3/4" Z20 | 1 3/8" Z6 | 1 3/8" Z21 | 1 3/4" Z6 | 1 3/4" Z20 |
| 7 | 1800 | 172 | 172 | 172 | 172 | 658L58303R | 658L58337R | 658L58304R | 658L58338R |
| 8 | *1800 | 174 | 174 | 174 | 174 | 658M58303R | 658M58337R | 658M58304R | 658M58338R |
| | 2200 | | | | | 658M62303R | 658M62337R | 658M62304R | 658M62338R |

*Maximum recommended settings for 1000 min⁻¹ velocity.

 For primary drivelines, always install any torque limiter or overrunning clutch on the implement side.
 All rotating parts must be guarded.

SERIES OUT OF PRODUCTION - ONLY AVAILABLE AS SPARE PARTS
100 Combination friction torque limiter and overrunning clutch



FNT44

Non-adjustable setting

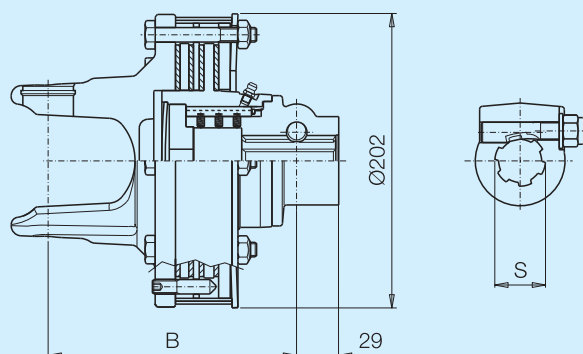
| Ref. | Size | Spare parts code | Description | Technical data |
|------|------|------------------|-----------------------------|---------------------|
| 1 | | 432000100R08 | Bolt | M 10 x 70 mm |
| 2 | 7 | 2530L1M01R | Flange yoke | |
| | 8 | 2530M1M01R | | |
| 3 | | 240000219R02 | Adjustment band | |
| 4 | | 247000061R08 | Friction lining | D = 160 ; d = 97 mm |
| 5 | | 2481M0001R02 | Driving plate | |
| 6 | | 2481M0002R02 | Inner plate | Thickness = 4 mm |
| 7 | | 240000748R05 | Locking plate | |
| 8 | | 4271M0101R | Overrunning clutch plug | |
| 9 | | 348017000R20 | Grease fitting | |
| 10 | | 2481H0003R02 | Pressure plate | Thickness = 8 mm |
| 11 | | 367FT440A | Belleville spring | 1800 Nm |
| | | 367FT440C | | 2200 Nm |
| 12 | | 339002068R20 | Snap ring | |
| 13 | | 4211L0001R06 | Pawl + springs kit | |
| 14 | | 5151M0351R | Hub, plug and taper pin kit | 1 3/8" Z6 |
| | | 5151M3751R | | 1 3/8" Z21 |
| | | 5151M0451R | | 1 3/4" Z6 |
| | | 5151M3851R | | 1 3/4" Z20 |
| 15 | | 408000047R02 | Taper pin | 1 3/8" Z6 - Z21 |
| | | 408000046R02 | | 1 3/4" Z6 - Z20 |



For primary drivelines, always install any torque limiter or overrunning clutch on the implement side.
 All rotating parts must be guarded.


FNT44R

Non-adjustable setting

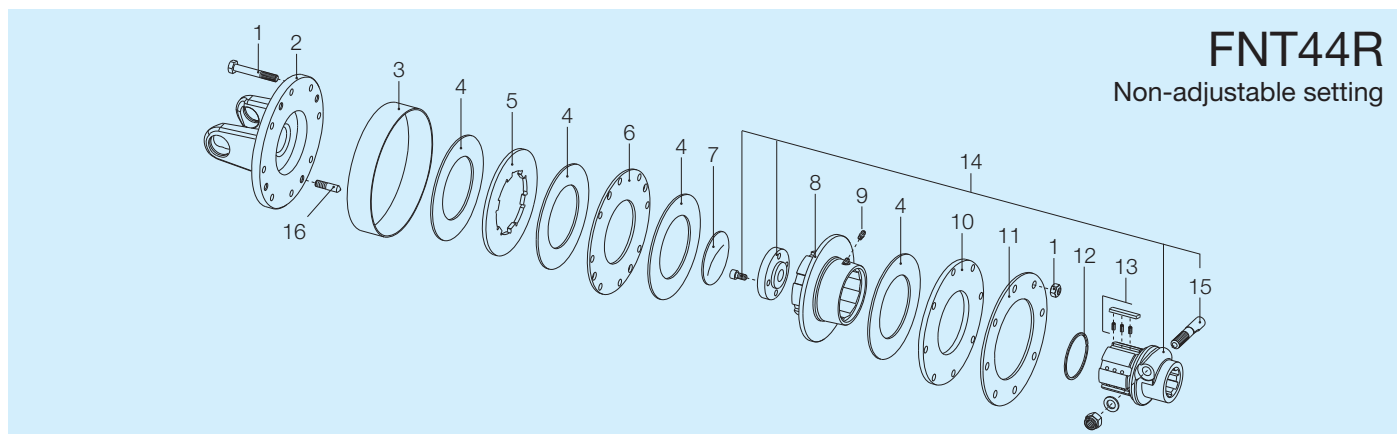


| Size | Torque Nm | B (mm) | | | | Spare parts code | | | |
|------|--------------|----------------|-----------------|----------------|-----------------|------------------|------------|------------|------------|
| | | S 1 3/8" Z6 | S 1 3/8" Z21 | S 1 3/4" Z6 | S 1 3/4" Z20 | 1 3/8" Z6 | 1 3/8" Z21 | 1 3/4" Z6 | 1 3/4" Z20 |
| 7 | 1800 | 172 | 172 | 172 | 172 | 658L58403R | 658L58437R | 658L58404R | 658L58438R |
| 8 | *1800 | 174 | 174 | 174 | 174 | 658M58403R | 658M58437R | 658M58404R | 658M58438R |
| | 2200 | | | | | 658M62403R | 658M62437R | 658M62404R | 658M62438R |

*Maximum recommended settings for 1000 min⁻¹ velocity.

 For primary drivelines, always install any torque limiter or overrunning clutch on the implement side. All rotating parts must be guarded.

SERIES OUT OF PRODUCTION - ONLY AVAILABLE AS SPARE PARTS
100 Combination friction torque limiter and overrunning clutch



FNT44R

Non-adjustable setting

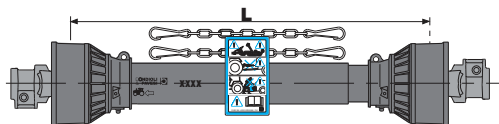
| Ref. | Size | Spare parts code | Description | Technical data |
|------|------|------------------|-------------------------------|---------------------|
| 1 | | 432000100R08 | Bolt | M 10 x 70 mm |
| 2 | 7 | 2530L1M02R | Flange yoke | |
| | 8 | 2530M1M02R | | |
| 3 | | 240000219R02 | Adjustment band | |
| 4 | | 247000061R08 | Friction lining | D = 160 ; d = 97 mm |
| 5 | | 2481M0001R02 | Driving plate | |
| 6 | | 2481M0003R02 | Inner plate | Thickness = 4 mm |
| 7 | | 240000748R05 | Locking plate | |
| 8 | | 4271M0101R | Overrunning clutch plug | |
| 9 | | 348017000R20 | Grease fitting | |
| 10 | | 2481H0003R02 | Pressure plate | Thickness = 8 mm |
| 11 | | 367FT440A | Belleville spring | 1800 Nm |
| | | 367FT440C | | 2200 Nm |
| 12 | | 339002068R20 | Snap ring | |
| 13 | | 4211L0001R06 | Pawl + springs kit | |
| 14 | | 5151M0351R | Hub, plug and taper pin kit | 1 3/8" Z6 |
| | | 5151M3751R | | 1 3/8" Z21 |
| | | 5151M0451R | | 1 3/4" Z6 |
| | | 5151M3851R | | 1 3/4" Z20 |
| 15 | | 408000047R02 | Taper pin | 1 3/8" Z6 - Z21 |
| | | 408000046R02 | | 1 3/4" Z6 - Z20 |
| 16 | | 310001301R04 | Special socket head set screw | M 10 x 40 mm |



For primary drivelines, always install any torque limiter or overrunning clutch on the implement side.
 All rotating parts must be guarded.

Shield kits

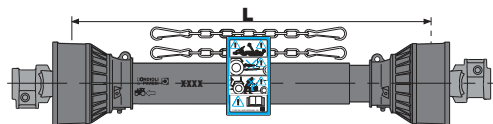
100
400



| Code | 086 | 121 |
|---------------|-------------|-------------|
| Length L (mm) | 860 | 1210 |
| 1 | 5F01086FFFX | 5F01121FFFX |
| 2 | 5F02086FFFX | 5F02121FFFX |
| 3 | --- | --- |
| 43 | 5F43086FFFX | 5F43121FFFX |
| 4 | 5F04086FFFX | 5F04121FFFX |
| 5 | 5F05086FFFX | 5F05121FFFX |
| 6 | 5F06086FFFX | 5F06121FFFX |
| 7 | 5F07086FFFX | 5F07121FFFX |
| 8 | 5F08086FFFX | 5F08121FFFX |
| 9 | --- | --- |
| 10 | --- | --- |

For North America, replace the "FX" in the codes above with "UC".
For Japan, replace the "FX" in the codes above with "JP".

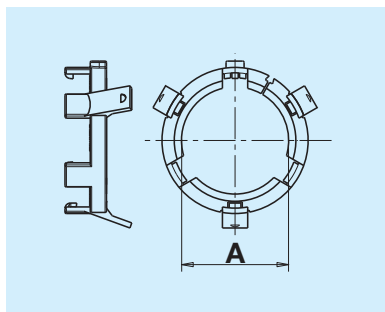
650



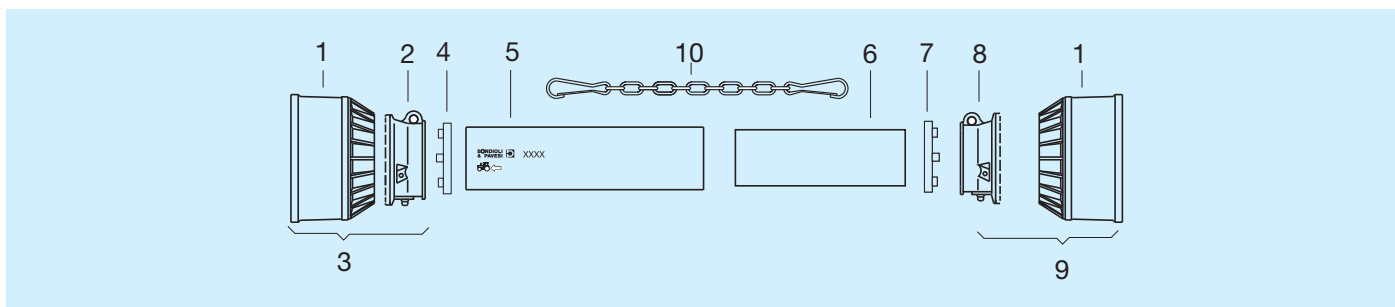
| Code | 086 | 121 |
|---------------|----------------|----------------|
| Length L (mm) | 860 | 1210 |
| 652 | 5F02086R1652FX | 5F02121R1652FX |
| 654 | 5F04086R1654FX | 5F04121R1654FX |
| 656 | 5F06086R1656FX | 5F06121R1656FX |
| 658 | 5F08086R1658FX | 5F08121R1658FX |

For North America, replace the "FX" in the codes above with "UC".
For Japan, replace the "FX" in the codes above with "JP".

Shield bearing support rings



| | Inner tube | | Outer tube | |
|------|------------|--------------|------------|--------------|
| | A mm | | A mm | |
| 1 | 30,4 | 255010006R02 | 40,4 | 255010005R02 |
| 2 | 40,4 | 255020006R02 | 47,4 | 255020005R02 |
| 43-4 | 46,4 | 255040006R02 | 53,4 | 255040005R02 |
| 5 | 53,4 | 255050006R02 | 62,4 | 255050005R02 |
| 6-7 | 59,4 | 255060006R02 | 68,4 | 255060005R02 |
| 8 | 68,4 | 255080006R02 | 80,4 | 255080005R02 |

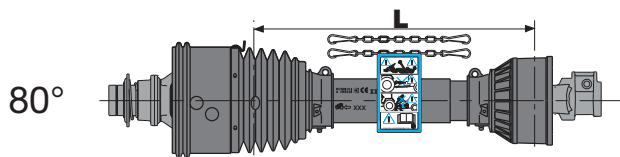


| Size | 1* | 2 | 3* | 4 | 5 L= 086 | 6 L= 086 | 7 | 8 | 9 | 10 |
|---------|-----------|-----------|-----------|--------------|-----------|-----------|--------------|-----------|-----------|--------------|
| 1 | 219010001 | 517010011 | 517010030 | 255010005R02 | 236660694 | 236650694 | 255010006R02 | 517010012 | 517010020 | 252000001R02 |
| 2 | | | | 255020005R02 | | | | | | |
| 3 43 | 219040001 | 517040011 | 517040030 | 255040005R02 | 236680676 | 236670676 | 255040006R02 | 517040012 | 517040020 | |
| 4 | | | | | | | | | | |
| 5 | | | | 255050005R02 | | | 255050006R02 | | | |
| 6 | 219050001 | 517050011 | 517050030 | 255060005R02 | 236830650 | 236820650 | 255060006R02 | 517050012 | 517050020 | |
| 7 | | | | | | | | | | |
| 8 | 219080005 | 517080111 | 517080130 | | | | | 517080112 | 517080120 | |
| 9 | | | | 255080005R02 | 236850602 | 236840602 | 255080006R02 | | | |
| 10 | 219080001 | 517080011 | 517080030 | | | | | 517080012 | 517080020 | |

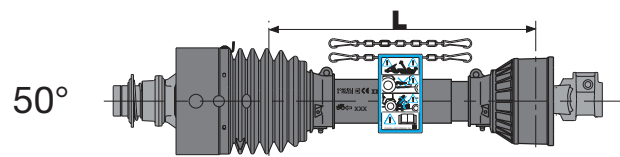
* Standard (#1) style end cone

Shield kits

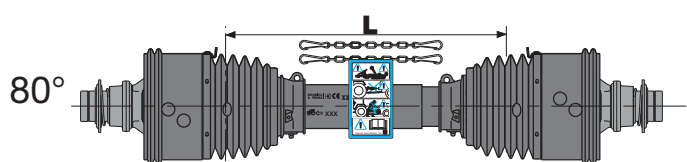
100



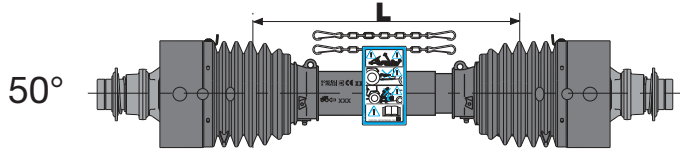
| Code | 086 | 121 |
|---------------|-------------|-------------|
| Length L (mm) | 860 | 1210 |
| 4 | 5F04086W1FX | 5F04121W1FX |
| 6 | 5F06086W1FX | 5F06121W1FX |
| 8 | 5F08086W1FX | 5F08121W1FX |



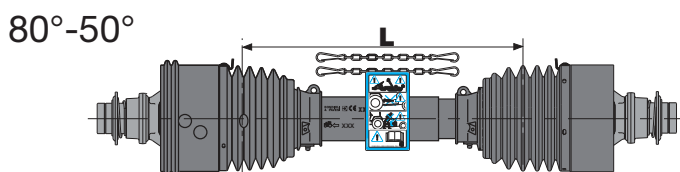
| Code | 086 | 121 |
|---------------|-------------|-------------|
| Length L (mm) | 860 | 1210 |
| 4 | 5F04086K1FX | 5F04121K1FX |
| 6 | 5F06086K1FX | 5F06121K1FX |
| 8 | 5F08086K1FX | 5F08121K1FX |



| Code | 086 | 121 |
|---------------|-------------|-------------|
| Length L (mm) | 860 | 1210 |
| 4 | 5F04086WWFX | 5F04121WWFX |
| 6 | 5F06086WWFX | 5F06121WWFX |
| 8 | 5F08086WWFX | 5F08121WWFX |



| Code | 086 | 121 |
|---------------|-------------|-------------|
| Length L (mm) | 860 | 1210 |
| 4 | 5F04086KKFX | 5F04121KKFX |
| 6 | 5F06086KKFX | 5F06121KKFX |
| 8 | 5F08086KKFX | 5F08121KKFX |



| Code | 086 | 121 |
|---------------|-------------|-------------|
| Length L (mm) | 860 | 1210 |
| 4 | 5F04086WKFX | 5F04121WKFX |
| 6 | 5F06086WKFX | 5F06121WKFX |
| 8 | 5F08086WKFX | 5F08121WKFX |

For North America, replace the "FX" in the codes above with "UC". For Japan, replace the "FX" in the codes above with "JP".

The Machinery Directive (2006/42/CE) requires that the implement be equipped with an implement input connection shield fixed to the implement.

Standard EN1553 requires the implement input connection shield completely encircle the shaft, but allow for installation and articulation of the driveline. Standards EN 12965 and ANSI/ASABE S604 requires the IIC shield provide at least 50 mm of overlap with the integral driveline guard in the straight position.

The tractor master shield, the integral driveline guard, and the implement input connection shield constitute an interactive guarding system according to ANSI/ASABE S604 standard.

Bondioli & Pavesi recommends the use of proper shields and guards for drivelines, tractors, and implements. Damaged or missing components must be replaced with original spare parts, correctly installed,

before using the driveline.

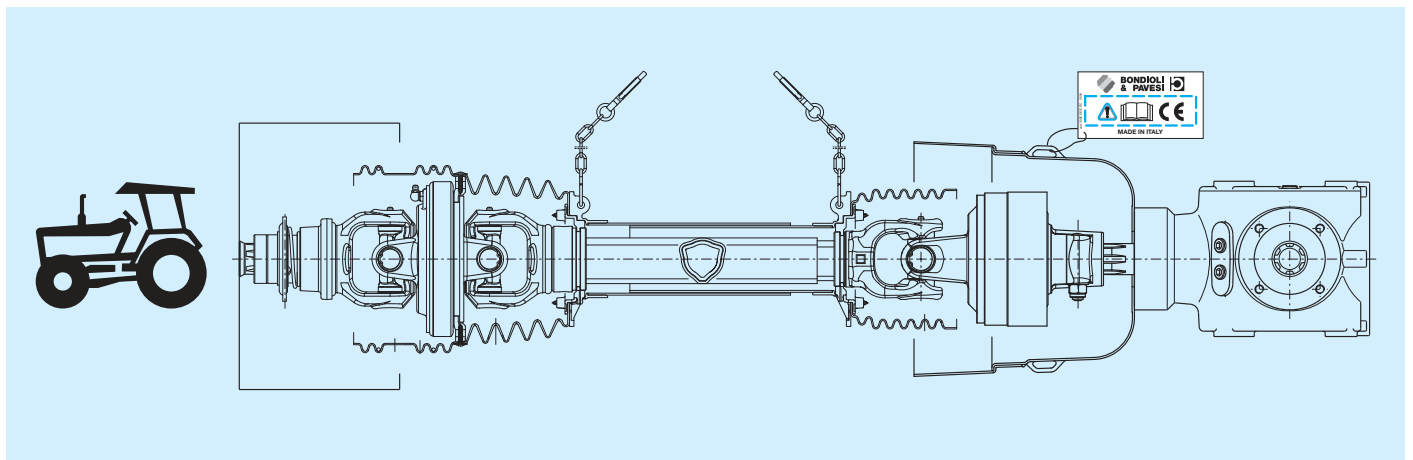
Damaged or missing components must be replaced with original spare parts, correctly installed, before using the driveline.

Bondioli & Pavesi recommends the manufacturers of implements apply labels that clearly state the need to keep safety shields in place and in proper working order.

Manufacturers are also recommended to include in their operating manuals a list of the shields and safety labels, as well as their position on the machine and their code numbers for ordering replacements.

In compliance with ASAE S493 standards, the implement manufacturer shall provide safety sign(s) and instructions stating that guards must be kept in place and the machine should not be operated with guards opened or removed.

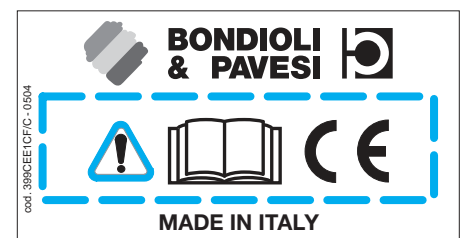
Standard EN 1553 requires a label be used to draw attention to possible risks when the guard is unlocked, opened, or removed.



The oval shape implement input connection shields can be supplied in heat-resistant plastic upon customer request. This material maintains its strength at elevated temperatures. Shields made of heat-resistant plastic can be used to guard devices operating at temperatures higher than normal, such as friction torque limiters working in heavy duty conditions. Basic information for safe and correct use of the driveline and

shielding are shown in the catalogues and on the instruction sheet included with the implement input connection shield.

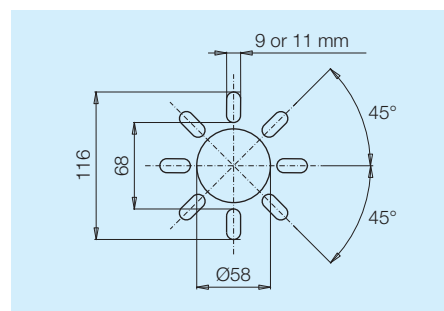
Add the suffix CE to the shield code to specify the instruction sheet for CEE-EFTA countries. Add the extra charge of 0,53 Euro, for CF implement input connection shields provided with instruction sheet including the Declaration of Conformity according to the CEE standards.



Circular shape implement input connection shields

CF implement input connection shields with circular shape are available in three different sizes with or without fixing slots. The flat fixing surface has a diameter of 120 mm, the slots are 24 mm long and 9 or 11 mm wide. It's recommendable that the implement manufacturer provide for a solid and

sturdy mounting by screws and washers on the flat bottom surface. Flexible extensions, available in two different lengths, can be attached to the rigid body to increase the overlap with the driveline guard and allow joint articulation.



| | | | |
|---|--|--|--|
| | <p>Rigid cone</p> | <p>Cone with medium band</p> | <p>Cone with long band</p> |
| <p>Code</p> <p>without slots</p> <p>with slots 9x24</p> <p>with slots 11x24</p> | <p>21901CE</p> <p>219000F09CE</p> <p>219000F11CE</p> | <p>41701CE</p> <p>517000F01CE</p> <p>517000F03CE</p> | <p>41711CE</p> <p>517000F02CE</p> <p>517000F04CE</p> |
| | <p>Rigid cone</p> | <p>Cone with medium band</p> | <p>Cone with long band</p> |
| <p>Code</p> <p>without slots</p> <p>with slots 9x24</p> <p>with slots 11x24</p> | <p>21902CE</p> <p>219000G09CE</p> <p>219000G11CE</p> | <p>41702CE</p> <p>517000G01CE</p> <p>517000G03CE</p> | <p>41712CE</p> <p>517000G02CE</p> <p>517000G04CE</p> |
| | <p>Rigid cone</p> | <p>Cone with medium band</p> | <p>Cone with long band</p> |
| <p>Code</p> <p>without slots</p> <p>with slots 9x24</p> <p>with slots 11x24</p> | <p>21903CE</p> <p>219000H09CE</p> <p>219000H11CE</p> | <p>41703CE</p> <p>517000H01CE</p> <p>517000H03CE</p> | <p>41713CE</p> <p>517000H02CE</p> <p>517000H04CE</p> |

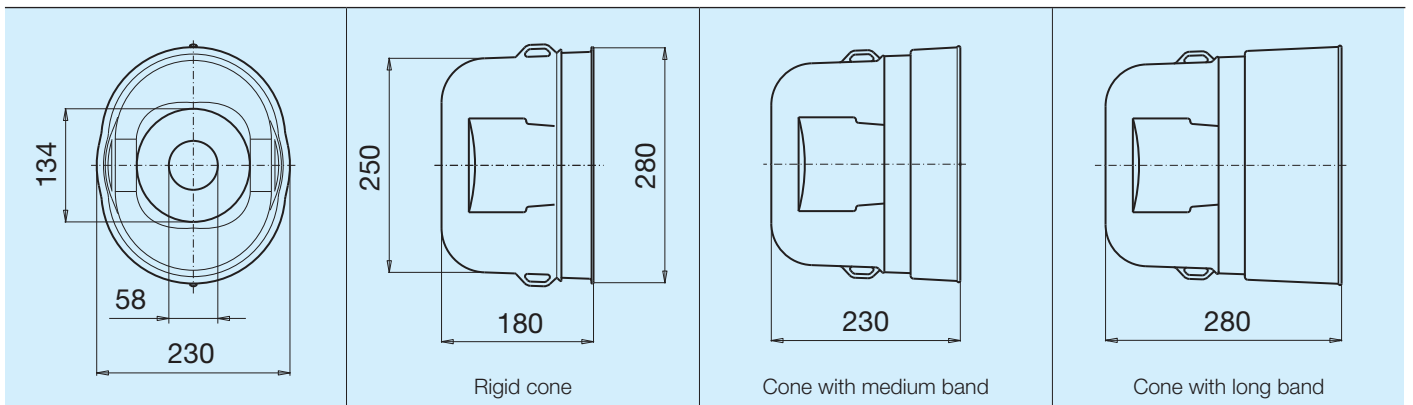
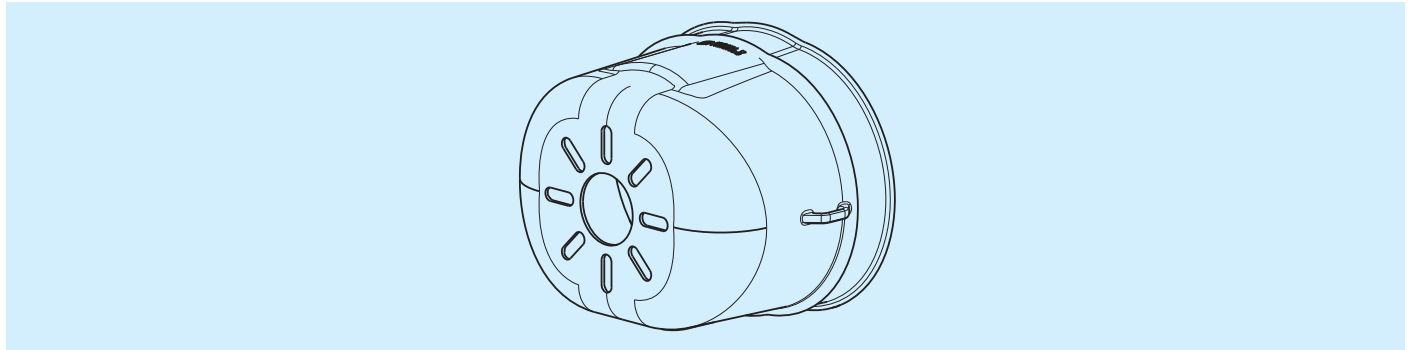
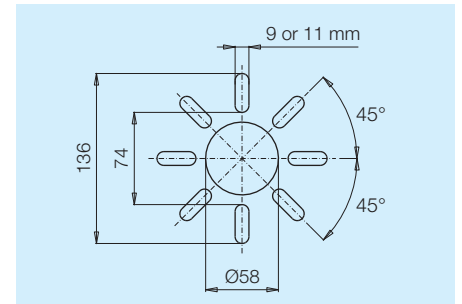
Oval shape implement input connection shields

CF IIC shields with oval shape are available in only one size with or without fixing slots. The flat fixing surface has a diameter of 134 mm, the slots are 31 mm long and 9 or 11 mm wide.

It's recommendable that the implement manufacturer provide for a solid and sturdy mounting by screws and washers on the flat bottom surface.

Flexible extensions, available in two different lengths, can be attached to the rigid body to increase the overlap with the drive-line guard and allow joint articulation.

Oval shape IIC shields can be supplied with one or two windows that give access for the installation of the driveline or checking that is properly secured.



Oval implement input connection shields without access windows

| | | | | |
|------|------------------|-------------|-------------|-------------|
| Code | without slots | 21904CE | 41704CE | 41714CE |
| | with slots 9x31 | 219000A09CE | 517000A01CE | 517000A02CE |
| | with slots 11x31 | 219000A11CE | 517000A03CE | 517000A04CE |

Oval implement input connection shields with one access window

| | | | | |
|------|------------------|-------------|-------------|-------------|
| Code | without slots | 2190401CE | 4170401CE | 4171401CE |
| | with slots 9x31 | 219000C19CE | 517000C01CE | 517000C02CE |
| | with slots 11x31 | 219000C21CE | 517000C03CE | 517000C04CE |

Oval implement input connection shields with two access windows

| | | | | |
|------|------------------|-------------|-------------|-------------|
| Code | without slots | 2190402CE | 4170402CE | 4171402CE |
| | with slots 9x31 | 219000E19CE | 517000E01CE | 517000E02CE |
| | with slots 11x31 | 219000E21CE | 517000E03CE | 517000E04CE |

This page is intentionally blank

Commercial Companies



★ Headquarters

■ Production Units

● Commercial Companies

| | |
|--------------------------|--|
| ● ARGENTINA | TECNO TRANSMISION INTERNACIONAL S.A. Gral. José Maria Paz, 665 - 2300 RAFAELA (Santa Fe') Tel./fax 03492 424134 - E-mail tti@arnet.com.ar |
| ● AUSTRALIA | BYPY TRANSMISSIONS 3/16-20 Dingley Avenue - Dandenon SOUTH, Vic. 3175 Tel. (03) 9794 5889 - Telefax (03) 9794 0272 - E-mail bypy@bypy.com.au |
| ● BALGARIJA | BONDIOLI & PAVESI SALES & LOGISTICS S.p.A. - RDM Mechanical Division Via 23 Aprile, 35/a - 46029 SUZZARA (MN) - ITALY Tel. 03765141 - Telefax 0376514444 - E-mail bypy@bypy.it |
| ● BELARUS | JSC PMI GROUP 18, Pinskaya st. - 220073 MINSK Tel. 017 3369458 - Telefax 017 3369459 - E-mail uvs@pmi.by |
| ● BELGIQUE | BONDIOLI & PAVESI FRANCE S.A. 1, rue Panhard - B.P.1 - 91830 LE COUDRAY MONTCEAUX (FRANCE) Tél. 01.64.93.84.63 - Telefax 01.64.93.94.46 - E-mail bondiolipavesi@bypy.fr |
| | DANI-TECH BV Energieweg 39 A - 2382 NC ZOETERWOUDE (NEDERLAND) Tel. (071) 5417704 - Telefax (071) 5419106 - E-mail infonl@dani-tech.com |
| ○ BRASIL AMERICA DO SUL | BPN TRANSMISSÕES Ltda. Estrada dos Romeiros, 42.501, Portão B- SANTANA DE PARNAIBA / SP Cep. 06501-001 Tel. 55 11 4154 9037 - Telefax 55 11 4154 9013 - E-mail bpn@bpntransmissoes.com.br |
| | BP COMPONENTES HIDRÁULICOS E MECÂNICOS Ltda. Rua Domênico Martins Mezzomo , 184 - CEP - 95030 230 CAXIAS DO SUL-RS Tel. 55 54 3211 8900 - Telefax 55 54 3211 8907 - E-mail vendas@bypy.com.br |
| ● ČESKÁ REPUBLIKA | BONDIOLI & PAVESI GmbH DEUTSCHLAND D-64521 GROSS-GERAU - Im Neugrund, 8 - DEUTSCHLAND - Tel (06152) 9816/0 - Telefax (06152) 9816/65 E-mail info@bypy.de - Postfach 1125 D-64501 GROSS-GERAU |
| ○ CHINA (P.R.C.) | BONDIOLI & PAVESI HYDRAULIC AND MECHANICAL COMPONENT (HANGZHOU) CO. LTD. N°420 of Beitang East Road, Xinjie Town, Xiaoshan District, HANGZHOU CITY, 311217 Zhejiang Province - Tel. (0571) 83508180 - Telefax (0571) 83508178 - 83508177 E-mail customer_service@bypychina.com |
| ○ DANMARK | DANI-TECH A/S Bredholm, 4 - DK 6100 HADERSLEV Tel. 76 342300 - Telefax 76 342301 - E-mail infodk@dani-tech.com |
| ○ DEUTSCHLAND ÖSTERREICH | BONDIOLI & PAVESI GmbH DEUTSCHLAND D-64521 GROSS-GERAU - Im Neugrund, 8 - Tel (06152) 9816/0 - Telefax (06152) 9816/65 E-mail info@bypy.de - Postfach 1125 D-64501 GROSS-GERAU |
| ● EESTI | KONEKESKO EESTI AS Põrguvälja Tee 3a, Pildiküla, Rae Vald - 75308 HARJUMAA Tel. (0605) 9106 - Telefax (0605) 9101 - E-mail heido.rebane@kesko.ee |
| ● ELLADA | E.M.EX. S.p.a. 2° km, Simmachikis Str. - 570 08 P.S 233 - Ionia - THESSALONIKI Tel. (2310) 784560 / 784786 - Telefax (2310) 784787 - E-mail emex@the.forthnet.gr |
| ○ ESPAÑA PORTUGAL | BONDIOLI Y PAVESI IBERICA S.A. Autopista de Barcelona PG. Malpica, CL.F. n°1 - 50057 ZARAGOZA Tel. 976 588 150 - Telefax 976 574 927 - E-mail bondiolipavesi@bypy-iberica.com |
| ○ FRANCE | BONDIOLI & PAVESI FRANCE S.A. 1, rue Panhard - B.P.1 - 91830 LE COUDRAY MONTCEAUX Tél. 01.64.93.84.63 - Telefax 01.64.93.94.46 - E-mail bondiolipavesi@bypy.fr |
| ○ INDIA | BONDIOLI & PAVESI INDIA PVT. LTD. D 510, TTC Industrial Area, MIDC - Opposite Everest Nivara Infotech Park TURBHE, NAVI MUMBAI 400703 - Maharashtra Tel. (022) 32250355 - E-mail info@bypyindia.com |
| ● IRAN | BARCHINKAR INDUSTRIAL CO. INC Flat N°6, N°3, East Baghcheh Poonak St. - Sadeqieh 2nd Square - TEHRAN Tel. 021 44431183 - 44427675 - Telefax 021 44437997 - E-mail barchinkar@barchinkarco.com |
| ● EIRE | CLASIT BEECHER 31 A, Euro Business Park - Little Island - CO. CORK Tel. 021 4524661 - Telefax 021 4524662 - E-mail sales@a-h.ie |
| ○ ITALIA | BONDIOLI & PAVESI SALES & LOGISTICS S.p.A. Via 23 Aprile, 35/a - 46029 SUZZARA (MN) Tel. 03765141 - Telefax 0376514444 - E-mail bypy@bypy.it |
| ● NIPPON | SAPPORO OVERSEAS CONSULTANT Co.Ltd. Soc Bldg. Kita-4, Nishi-11, Chuo-Ku, SAPPORO 060-0004 - Mail: SAPPORO C.P.O. BOX 187. SAPPORO 060-8693 Tel. 011-231- 6547 - Telefax 011-231- 6595 - E-mail soc@pop02.odn.ne.jp |

| | |
|---|---|
| ● LATVIJA | KONEKESKO LATVIJA SIA Rubenu ceļš 46C, JELGAVA LV-3002 Tel. 063001762 - Telefax 063001702 - E-mail ivars.pupols@kesko.lv |
| ● LIETUVA | UAB KONEKESKO LIETUVA Verslo G. 9 - LT - 54311 KUMPIU K. KAUNO R. Tel. 05 2477412 - Telefax 05 2477411 - E-mail valdas.serapinas@kesko.lt |
| ● MAGYARORSZÁG | BONDIOLI & PAVESI GmbH DEUTSCHLAND D-64521 GROSS-GERAU - Im Neugrund, 8 - DEUTSCHLAND - Tel (06152) 9816/0 - Telefax (06152) 9816/65 E-mail info@bypy.de - Postfach 1125 D-64501 GROSS-GERAU |
| ○ NEDERLAND | DANI-TECH BV Energieweg 41 A - 2382 NC ZOETERWOUDE Tel. (071) 5417704 - Telefax (071) 5419106 - E-mail infol@dani-tech.com |
| ● NEW ZEALAND | FARMGARD 21 Andrew Baxter Drive, Mangere Manukau 2022 P.O.Box 13-354 - AUCKLAND Tel. (09) 275-5555 - Telefax (09) 256-0866 - E-mail sales@farmgard.co.nz |
| ● NORGE | EGIL ENG & CO. AS Jernkroken 7 - 0976 OSLO Tel. (022) 90 05 60 - Telefax (022) 16 15 55 - E-mail mekanikk@egileng.no |
| ○ POLSKA | BONDIOLI & PAVESI Sp.zo.o. PL-76 200 SLUPSK - ul. Poznanska 71 Tel. 0-59 / 8412832 - Telefax 0-59 / 8427269 - E mail biuro@bondiolipavesi.pl |
| ● ROMÂNIA | RIMAGRA SRL Str. Dumbravei, 7B - 610202 PIATRA NEAMT Tel. 0233 210583 - Telefax 0233 232375 - E mail office@sirca.com.ro |
| ○ ROSSIJSKAJA FEDERACIJA | BONDIOLI & PAVESI LTD. RUSSIA Skobeleva M.D. st.,2 - 350900 KRASNODAR Tel. 861 225 94 32 - Telefax 861 225 94 12 - E-mail info@bypy.ru |
| ● SCHWEIZ | SAHLI AG Oberdorfstrasse, 17 - CH - 8934 KNONAU Tel. 044-768 54 54 - Telefax 044-768 54 88 - E-mail info@sahli-ag.ch |
| ● SLOVENIJA | BONDIOLI & PAVESI GmbH DEUTSCHLAND D-64521 GROSS-GERAU - Im Neugrund 8 - DEUTSCHLAND - Tel. (06152) 9816/0 Telefax (06152) 9816/65 E-mail info@bypy.de - Postfach 1125 D-64501 GROSS-GERAU |
| ● SLOVENSKO | BONDIOLI & PAVESI GmbH DEUTSCHLAND D-64521 GROSS-GERAU - Im Neugrund, 8 - DEUTSCHLAND - Tel (06152) 9816/0 - Telefax (06152) 9816/65 E-mail info@bypy.de - Postfach 1125 D-64501 GROSS-GERAU |
| ● SOUTH AFRICA | SPRAY NOZZLE LTD Allandale Business Park - 1685 HALFWAY HOUSE - Gauteng - P.O. BOX 2369 Tel. (011) 805 9191 - Telefax (011) 805 9366 - E-mail sales@spraynozzle.co.za |
| ● MAKEDONIJA ● SRBIJA ● CRNA GORA ● HRVATSKA | BONDIOLI & PAVESI SALES & LOGISTICS S.p.A. - RDM Mechanical Division Via 23 Aprile, 35/a - 46029 SUZZARA (MN) - ITALY Tel. 03765141 - Telefax 0376514444 - E-mail bypy@bypy.it |
| ● SUOMI | AHLSSELL OY Oppipojantie 8 - 60100 SEINÄJOKI - Tel. 020 747 1320 - Telefax 020 747 1321 - E-mail rejjo.paaso@ahsell.fi |
| | RAUTAKESKO LTD P.O. BOX 786 - 33101 TAMPERE - Tel. 01053 032 - E-mail kari.pyykkonen@kesko.fi |
| ○ SVERIGE | DANI-TECH A/S Kantyxegatan 23 - 21376 MALMO - Tel. 046 233060 - Telefax 046 233069 - E-mail infose@dani-tech.com |
| ● TURCHIYE | TIMSAN TARIM Esensehir Mahallesi Bostanciyolu Caddei - Kuru Sokak No:28/B Yukari Dudullu - Ümraniye - ISTANBUL Tel. 0216 499 71 90-91 - Telefax 0216 499 71 89 - E-mail timsan@timsantarim.com.tr |
| ● PRATHET THAI | K&O ENGINEERING CO.LTD 59/166 Soi Raminthra 103/1, Raminthra Road, Kannayao - BANGKOK 10230 Tel. 662 9179125-6 - Telefax 662 9179131 - E-mail korn_o@koe.cyfencemail.com |
| ● UNITED KINGDOM | KRAMP UK LTD Pegasus Road, Stratton Business Park - London Road, BIGGLEWADE Bedfordshire SG18 8QB Tel. 0 1767 602600 - Telefax 0 1767 602620 |
| ○ UKRAJINA | BONDIOLI I PAVESI UKRAINE L.L.C. Grushevskogo street, 134B - 47470 smt. VELYKI BIRKY -Ternopil area -Ternopil region Tel. 0352 523414 - Telefax 0352 528214 - E-mail kucher@bypy.com.ua |
| ○ U.S.A. ● CANADA | BONDIOLI & PAVESI INC. 10252 Sycamore Drive - ASHLAND VA 23005 - 8137 Tel. (804) 550-2224 - Telefax (804) 550-2837 - E-mail info@bypyusa.com |



WORK SAFELY!

DANGER

ANYONE WHO MANUFACTURES, SELLS, REPAIRS, OR USES DRIVESHAFTS OBEY ALL SAFETY RULES!



KEEP AWAY!

SAFETY FUNDAMENTALS:

- ▶ **A**void contact of clothing, straps, hair, jewelry, etc. with rotating driveshaft. Contact with rotating driveshaft can cause death.
- ▶ **D**o not operate without all drive shaft guards, tractor, and equipment shields in place. Damaged or missing components should be replaced with correctly installed original equipment spare parts.
- ▶ **D**o not operate without driveshaft securely attached at both ends. Do not operate without driveshaft guards that turn freely on the driveshaft. Do not use PTO adaptors.
- ▶ **R**ead the use and maintenance manual provided with the driveshaft and/or implement before using the machine.
- ▶ **T**urn off engine and remove keys from tractor before approaching implement or performing maintenance.

398L29900-0713-1000-I-C Printed in Italy



BONDOLI & PAVESI SpA

Via 23 Aprile, 35/a - I - 46029 SUZZARA (MN)

Tel. +39 03765141 - Telefax +39 0376514444 - E-mail bypy@bypy.it - www.bondioli-pavesi.com